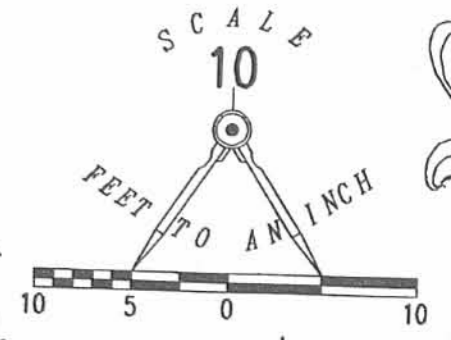
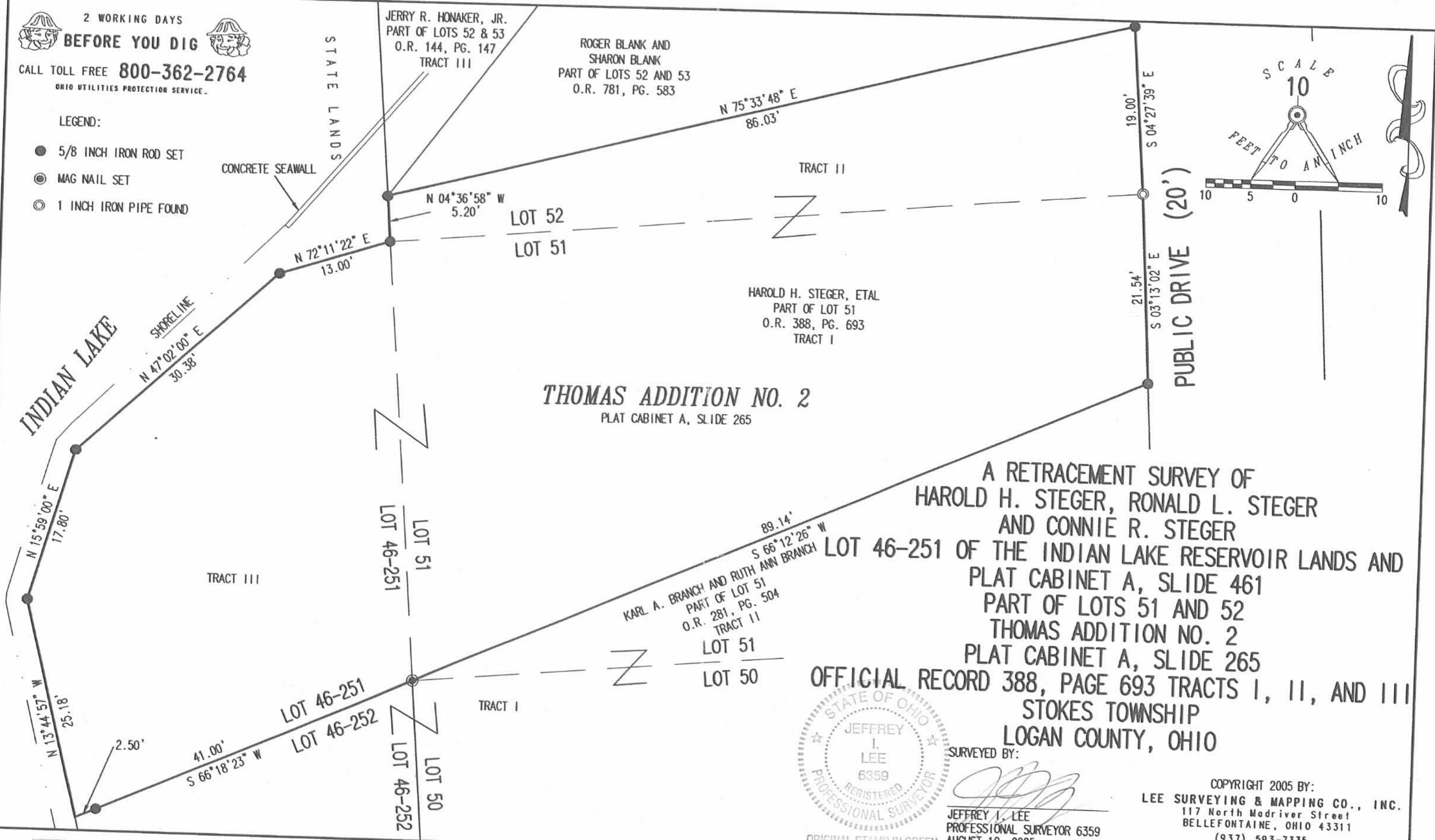


REC'D 8-15-05 8M4OK

2 WORKING DAYS  
**BEFORE YOU DIG**  
CALL TOLL FREE **800-362-2764**  
OHIO UTILITIES PROTECTION SERVICE.

- LEGEND:
- 5/8 INCH IRON ROD SET
  - ⊙ MAG NAIL SET
  - ⊙ 1 INCH IRON PIPE FOUND



**THOMAS ADDITION NO. 2**  
PLAT CABINET A, SLIDE 265

A RETRACEMENT SURVEY OF  
 HAROLD H. STEGER, RONALD L. STEGER  
 AND CONNIE R. STEGER  
 LOT 46-251 OF THE INDIAN LAKE RESERVOIR LANDS AND  
 PLAT CABINET A, SLIDE 461  
 PART OF LOTS 51 AND 52  
 THOMAS ADDITION NO. 2  
 PLAT CABINET A, SLIDE 265  
 OFFICIAL RECORD 388, PAGE 693 TRACTS I, II, AND III  
 STOKES TOWNSHIP  
 LOGAN COUNTY, OHIO

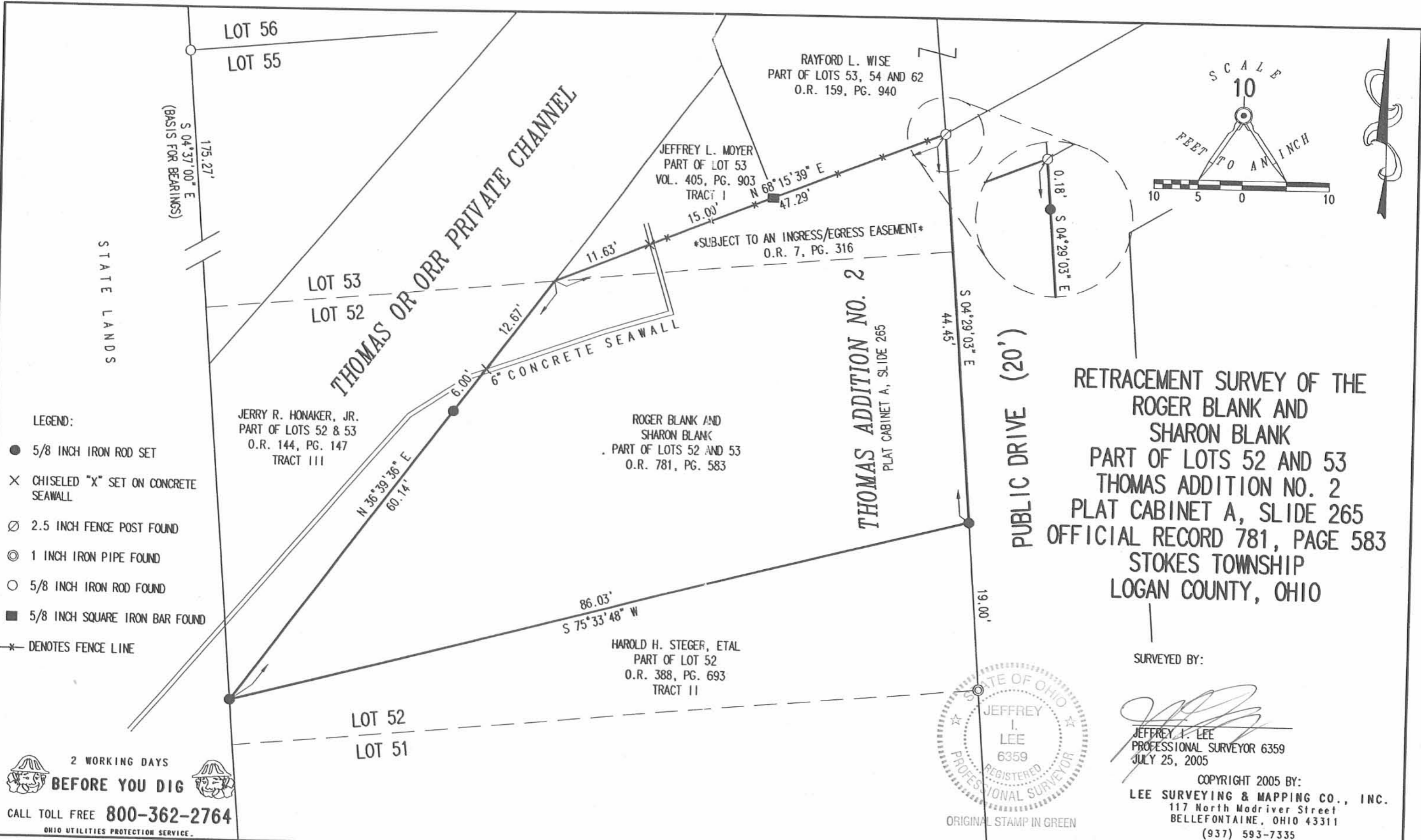


SURVEYED BY:  
*(Signature)*  
 JEFFREY I. LEE  
 PROFESSIONAL SURVEYOR 6359  
 AUGUST 10, 2005

COPYRIGHT 2005 BY:  
 LEE SURVEYING & MAPPING CO., INC.  
 117 North Madriver Street  
 BELLEFONTAINE, OHIO 43311  
 (937) 593-7335  
 ADW D0805 4087085 L-4087085-3

INDEXED ON MAP  
 2476

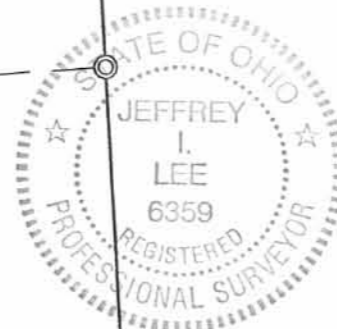
REC'D 8-1-05 SMY OK



- LEGEND:
- 5/8 INCH IRON ROD SET
  - × CHISELED "X" SET ON CONCRETE SEAWALL
  - 2.5 INCH FENCE POST FOUND
  - ◎ 1 INCH IRON PIPE FOUND
  - 5/8 INCH IRON ROD FOUND
  - 5/8 INCH SQUARE IRON BAR FOUND
  - \*— DENOTES FENCE LINE

2 WORKING DAYS  
**BEFORE YOU DIG**  
 CALL TOLL FREE **800-362-2764**  
 OHIO UTILITIES PROTECTION SERVICE.

RETRACEMENT SURVEY OF THE  
 ROGER BLANK AND  
 SHARON BLANK  
 PART OF LOTS 52 AND 53  
 THOMAS ADDITION NO. 2  
 PLAT CABINET A, SLIDE 265  
 OFFICIAL RECORD 781, PAGE 583  
 STOKES TOWNSHIP  
 LOGAN COUNTY, OHIO



SURVEYED BY:  
  
 JEFFREY I. LEE  
 PROFESSIONAL SURVEYOR 6359  
 JULY 25, 2005

COPYRIGHT 2005 BY:  
 LEE SURVEYING & MAPPING CO., INC.  
 117 North Madriver Street  
 BELLEFONTAINE, OHIO 43311  
 (937) 593-7335

INDEXED ON MAP  
 2476

KSR D0705 4071075 L-4071-3

ORR DESCRIPTION

Being situated in Stokes Township, Logan County, Ohio and being a part of V. M. S. 12276, also being a part of Thomas Addition No. 2.

Beginning at an iron at the south east corner of Lot No. 61; thence with the north side of a 20.0 foot drive S62° 37' W 50.0 feet to an iron, said iron is the place of beginning for this description.

Thence continuing with the north side of the 20.0 foot drive S62° 37' W 61.8 feet to an iron in the east line of Lot No. 53, said iron is 36.5 feet from the north east corner of Lot No. 53; thence S72° 20' W 20.6 feet to an iron; thence N18° 23' W 19.5 feet to Thomas channel; thence with the channel N32° 24' E 29.0 feet to a point in the north line of Lot No. 53, the last three course were in Lot No. 53; thence with the north line of Lot No. 53 N89° 33' E 10.0 feet to an iron at the northeast corner of Lot No. 53; thence with the east line of Lot No. 54 N5° 00' W 8.00 feet to the channel; thence with the channel N44° 54' E 45.3 feet passing through the west line of lot No. 62 at 32.5 feet, said point in the west line of Lot No. 62 is 23.0 feet north of the south west corner of Lot No. 62; thence S26° 21' E 54.0 to the place of beginning, passing through the south line of Lot No. 62 at 33.5 feet, said point in the south line of Lot No. 62 is 22.0 feet east of the southwest corner of Lot No. 62.

Surveyed from:

Part of Lots 53 and 62 of Thomas Addition No. 2, and 0.03 of an acre of a 0.04 acre tract out of Lot #4 and all of a 0.01 acre tract out of Lot No. 4 of Thomas Addition No.2.

INDEXED ON MAP

2476

-3D-1

SNODGRASS DESCRIPTION

Being situated in Stokes Township, Logan County, Ohio and being a part of V. M. S. 12276.

Being a part of Lot No. 54 of Thomas Addition No. 2 that is described as follows:

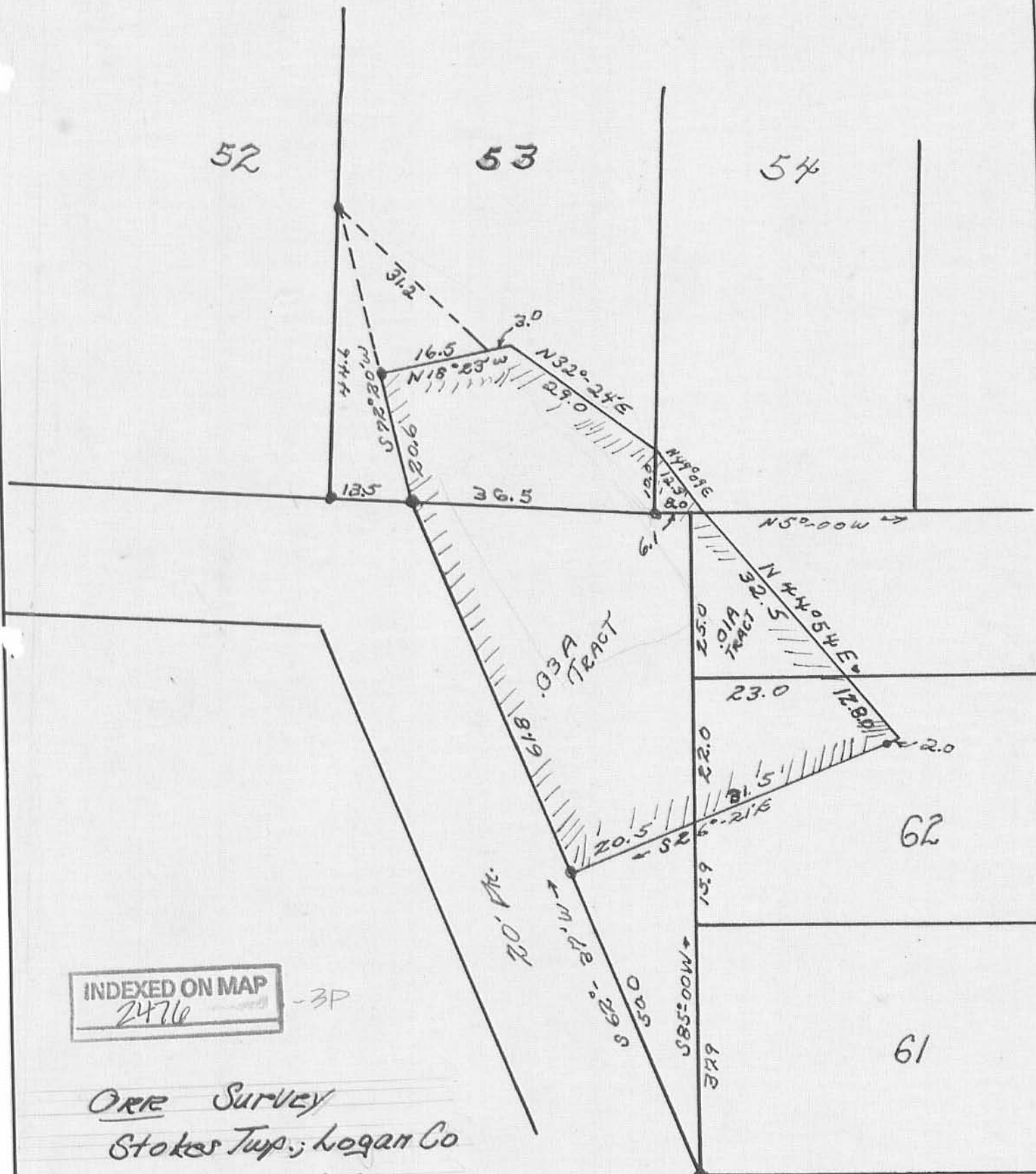
Beginning at an iron in the southeast corner of Lot No. 54; thence with the south side of Lot No. 54 S89° 33' W 10.0 feet to the Thomas Channel; thence with the channel N 49° 09' E 12.3 feet to a point in the east line of Lot No. 54; thence with the east line S5° 00' E 9.0 feet to the place of beginning.

INDEXED ON MAP

2476

-3D-2

1" = 20'



INDEXED ON MAP  
2476 -3P

ORE Survey  
Stokes Twp.; Logan Co  
V.M.S. 12276  
of THOMAS ADD. #2

Owen K. Shuk  
Reg. Surveyor No. 4271

N5°-00'W →  
20' DR.



CHANNEL DESCRIPTION

Being situated in Stokes Township, Logan County, Ohio, and being a part of V.M.S. 12276. Being in Thomas's Addition #2.

Beginning at a point N  $1^{\circ}$ -28'W 5.2 feet from the southwest corner of lot 52, thence N  $1^{\circ}$ -28'W 38.3 feet.

Thence N $43^{\circ}$ -24'E 68.5 feet, passing thru the north line of lot 52 at 10.1 feet, said point in the north line of lot 52 is N $88^{\circ}$ -13'E 6.4 feet from the northwest corner of lot 52.

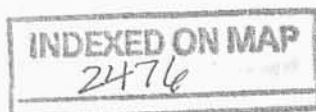
Thence N $34^{\circ}$ -02'E 59.5 feet to the northeast corner of lot 54, passing thru the north line of lot 53 at 10.1 feet, said point in the north line of lot 53 is N $88^{\circ}$ -13'E 54.2 feet from the northwest corner of lot 53.

Thence N $29^{\circ}$ -58'E 43.8 feet to the southwest corner of lot 57

Thence N $47^{\circ}$ -28'E 85.5 feet to a point that is S  $5^{\circ}$ -10'E 12.0 feet, thence S $47^{\circ}$ -28'W 10.0 feet from the northeast corner of lot 58.

Thence S $18^{\circ}$ -30'E 26.3 feet to a point that is S $39^{\circ}$ -28'W 2.5 feet from the west line of lot 58.

Thence S $39^{\circ}$ -28'W 91.1 feet, passing thru the north line of lot 61 at 36.9<sup>6</sup> feet at a point that is S $85^{\circ}$ -00'W 27.8 feet from the northeast corner of lot 61, also passing thru the west line of lot 61 at 51.1<sup>50.5</sup> feet at a point that is N  $5^{\circ}$ -10'W 59.9 feet from the southwest corner of lot 61.



-4D-1

Thence  $S44^{\circ}-54'W$  45.3 feet to a point in the east line of lot 54 that is  $N 5^{\circ}-10'W$  8.0 feet from the southeast corner of lot 54, also passing thru the west line of lot 62 at 12.8 feet, said point is  $N 5^{\circ}-10'W$  23.0 feet from the southwest corner of lot 62.

Thence  $S49^{\circ}-09'W$  12.3 feet to a point in the south line of lot 54 that is  $S88^{\circ}-13'W$  10.0 feet from the southeast corner of lot 54.

Thence  $S32^{\circ}-24'W$  29.0 feet.

Thence  $S18^{\circ}-23'E$  3.0 feet.

Thence  $S40^{\circ}-26'W$  91.5 feet to the place of beginning, passing thru a point in the south line of lot 53 that is  $S83^{\circ}-13'W$  44.6 feet from the southeast corner of lot 53 -

Excepting that part of the channel that passes thru lot 54.

INDEXED ON MAP

2476

-4D-2

REV'D 8-16-07 SMJ/OL

# Lee Surveying and Mapping Co., Inc.

Land Surveys • Topography • Subdivisions • Construction Layout

117 N. Madriver St.  
Bellefontaine OH 43311



Phone: (937) 593-7335  
Fax: (937) 593-7444

## STATE OF OHIO 0.007 ACRE

Lying in Virginia Military Survey 12276, Stokes Township, Logan County, Ohio.

Being out of the Indian Lake Reservoir Lands and being more particularly described as follows:

Commencing at a 5/8 inch iron rod set at the northwest corner of Lot 51 of the Thomas Addition No. 2 (Plat Cabinet A, Slide 265).

THENCE, with the lines of the Harold H. Steger, Etal Lot 46-251 of Indian Lake Reservoir Lands (Plat Cabinet A, Slide 461) (O.R. 388, Pg. 693, Tract III) the following four courses:

S 72°-11'-22"W, a distance of 13.00 feet to a 5/8 inch iron rod set.

S 47°-02'-00"W, a distance of 30.38 feet to a 5/8 inch iron rod set.

S 15°-59'-00"W, a distance of 17.80 feet to a 5/8 inch iron rod set.

S 13°-44'-57"E, a distance of 25.18 feet to a point referenced by a 5/8 inch iron rod set N 66°-18'-23"E, a distance of 2.50 feet.

THENCE, with the south line of Lot 46-251 extended, S 66°-18'-23"W, a distance of 4.51 feet to a chiseled "T" set on the edge of a concrete seawall.

THENCE, with the edge of water the following four courses:

N 11°-29'-28"W, a distance of 25.81 feet to a point.

N 17°-55'-22"E, a distance of 20.19 feet to a point.

N 42°-26'-52"E, a distance of 15.79 feet to a point.

N 46°-39'-21"E, a distance of 19.31 feet to a point on the edge of a concrete seawall.

THENCE, with the face of a concrete seawall, N 41°-06'-49"E, a distance of 1.52 feet to a chiseled "X" set on the concrete seawall.

THENCE, N 75°-33'-16"E, a distance of 10.80 feet to 5/8 inch iron rod set.

THENCE, with the west line of the Harold H. Steger, etal, part of Lot 52 (O.R. 388, Pg. 693, Tract II), S 4°-36'-58"E, a distance of 5.20 feet to the point of beginning.

Containing 0.007 acre.

The basis for bearings is the west line of Lot 51, being S 4°-37'-00"E, and all other bearings are from angles and distances measured in a field survey by Lee Surveying and Mapping Co., Inc. on August 13, 2007.

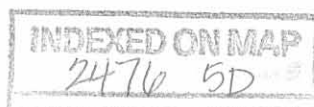


ORIGINAL STAMP IN GREEN

Description prepared by:

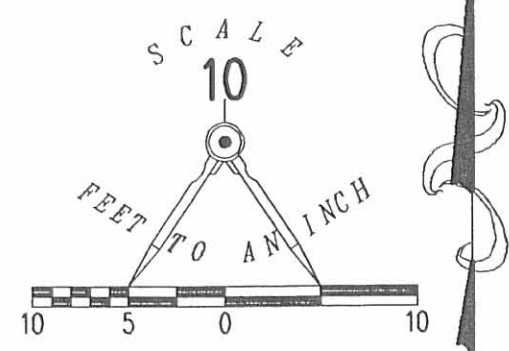
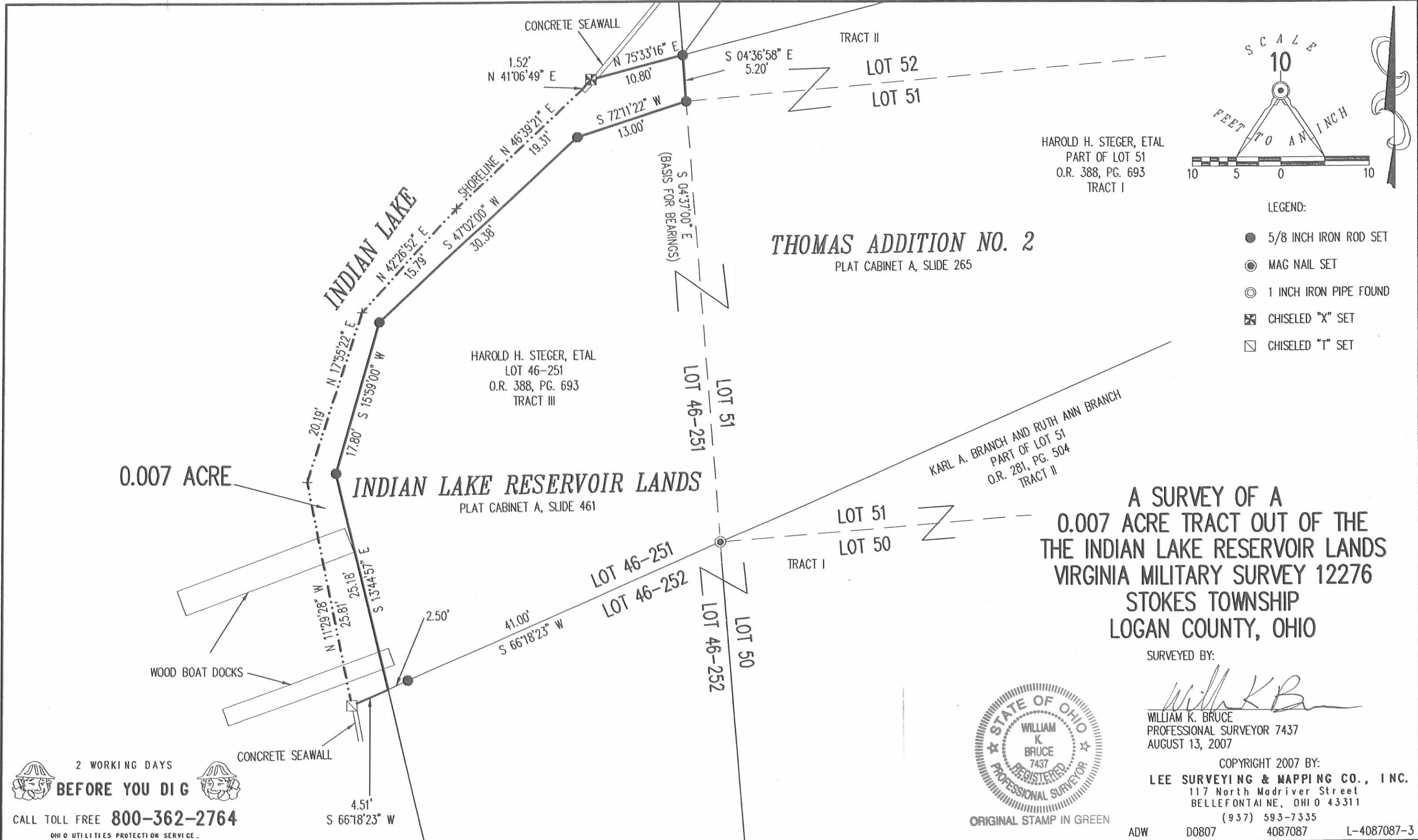
William K. Bruce  
Professional Surveyor 7437  
August 14, 2007

L-4087087





REC'D 8-16-07 S.M.J. OK



HAROLD H. STEGER, ETAL  
PART OF LOT 51  
O.R. 388, PG. 693  
TRACT I

**THOMAS ADDITION NO. 2**  
PLAT CABINET A, SLIDE 265

HAROLD H. STEGER, ETAL  
LOT 46-251  
O.R. 388, PG. 693  
TRACT III

**INDIAN LAKE RESERVOIR LANDS**  
PLAT CABINET A, SLIDE 461

KARL A. BRANCH AND RUTH ANN BRANCH  
PART OF LOT 51  
O.R. 281, PG. 504  
TRACT II

**A SURVEY OF A  
0.007 ACRE TRACT OUT OF THE  
THE INDIAN LAKE RESERVOIR LANDS  
VIRGINIA MILITARY SURVEY 12276  
STOKES TOWNSHIP  
LOGAN COUNTY, OHIO**

- LEGEND:
- 5/8 INCH IRON ROD SET
  - ⊙ MAG NAIL SET
  - ⊙ 1 INCH IRON PIPE FOUND
  - ⊠ CHISELED "X" SET
  - ⊠ CHISELED "T" SET

SURVEYED BY:

*William K. Bruce*

WILLIAM K. BRUCE  
PROFESSIONAL SURVEYOR 7437  
AUGUST 13, 2007



ORIGINAL STAMP IN GREEN

COPYRIGHT 2007 BY:

**LEE SURVEYING & MAPPING CO., INC.**  
117 North Madriver Street  
BELLEFONTAINE, OHIO 43311

(937) 593-7335

ADW D0807 4087087 L-4087087-3

2 WORKING DAYS  
**BEFORE YOU DIG**  
CALL TOLL FREE **800-362-2764**  
OHIO UTILITIES PROTECTION SERVICE.

INDEXED ON MAP  
2476 5P