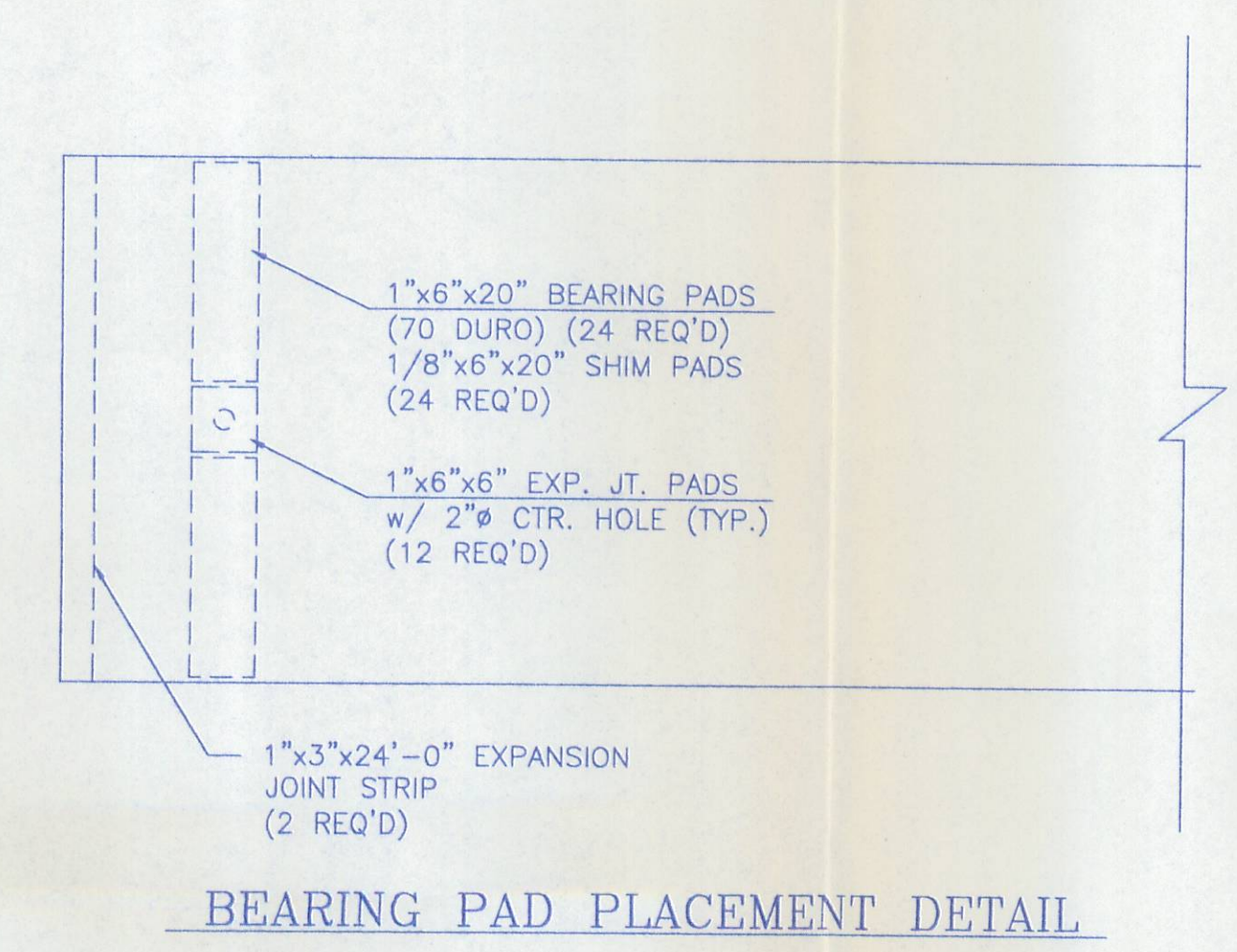
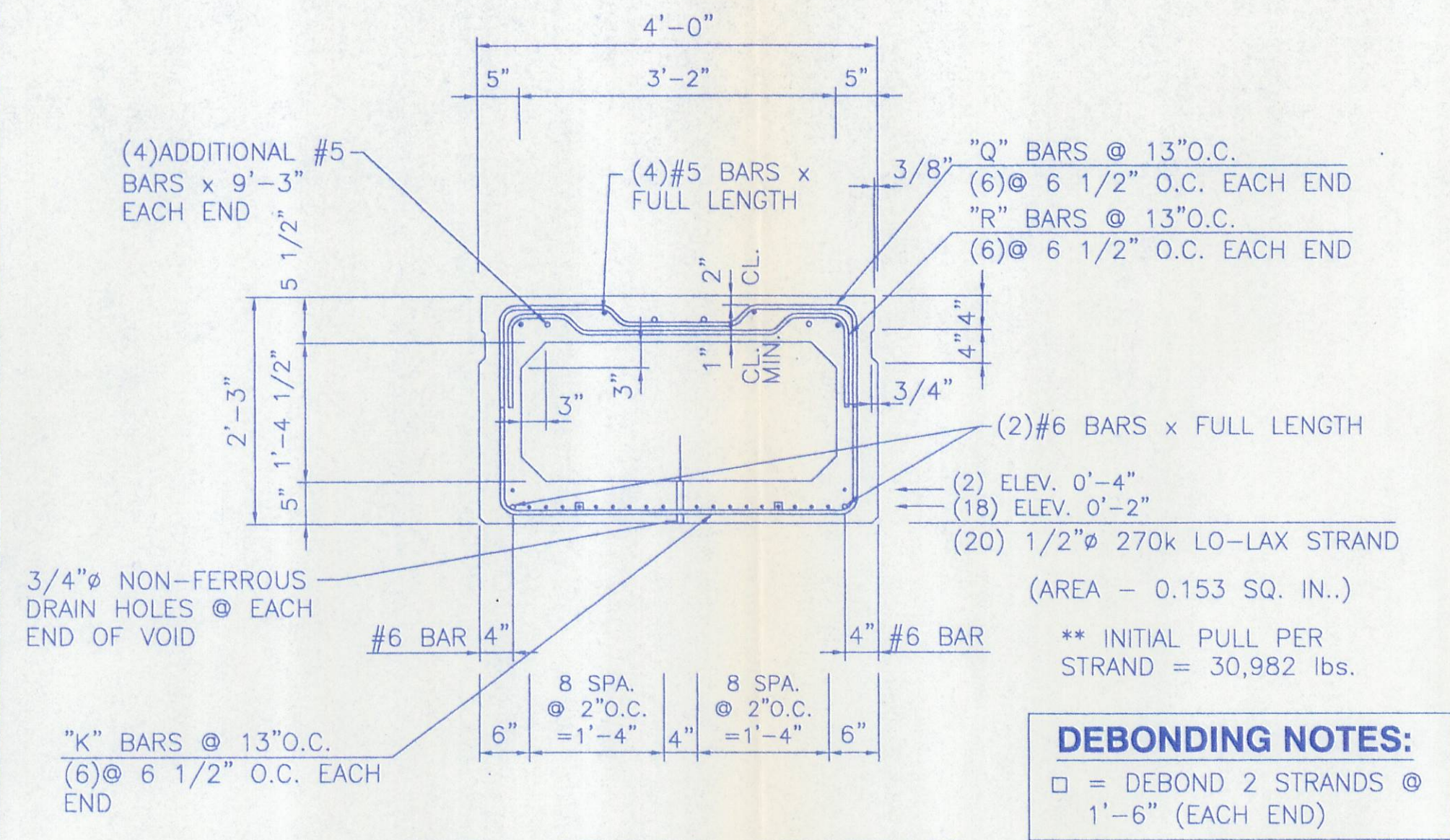


BEAM LAYOUT



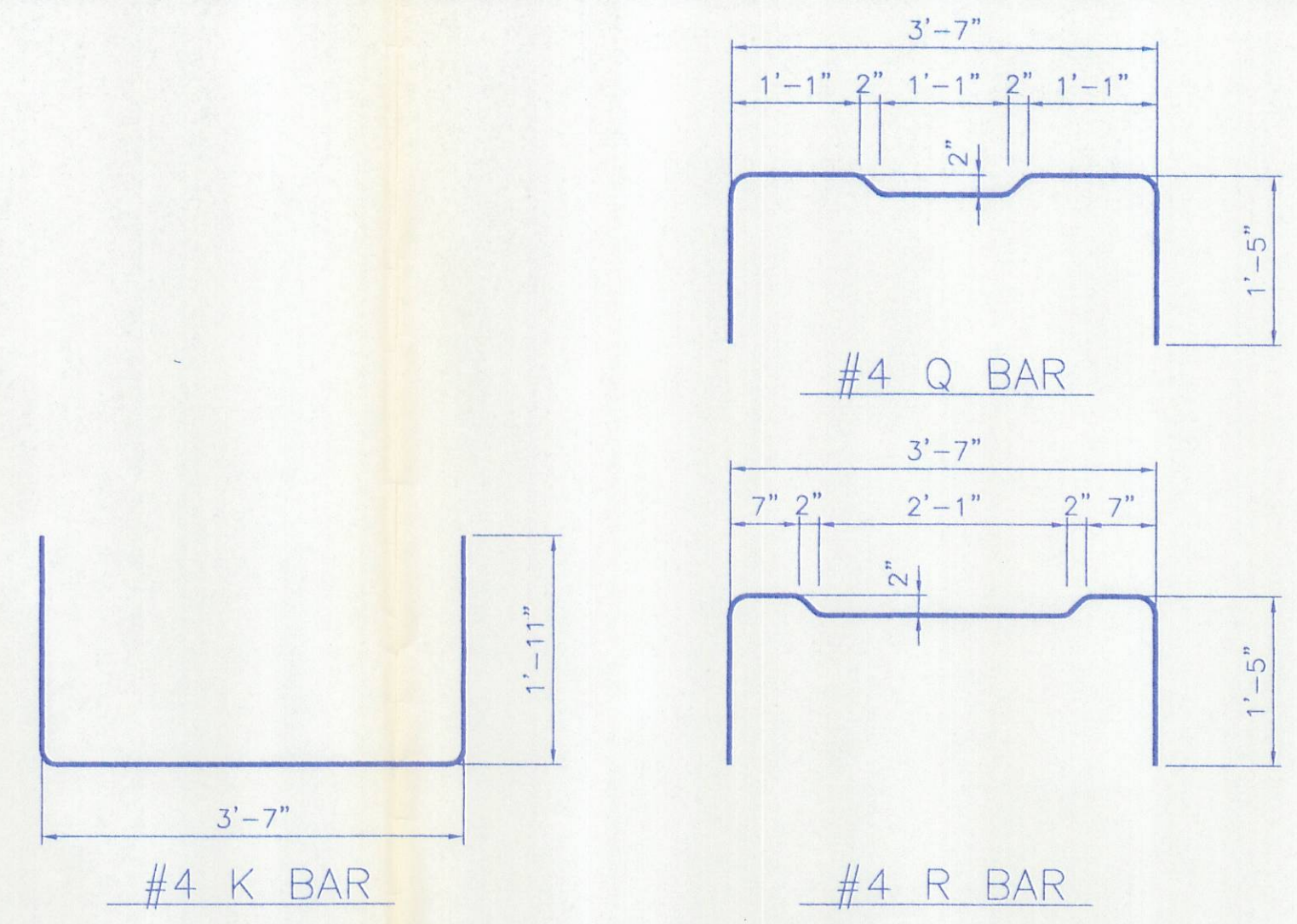
APPROVED
 BY LOGAN CO. ENGINEER
[Signature] 7-12-99
 As per note on p.2

REVISIONS			Proj. LOGAN COUNTY, JOB	
NO.	Description	Date	By	Br. No. BR # 65-0.02
				County, State: LOGAN COUNTY, OHIO
				Location:
				Contractor: LOGAN COUNTY FORCES
Date: 6/29/99			Fabrication Plant: PRESTRESS SERVICES INC.	
Drawn By: M.W.B.			DRAFTING OFFICE: PRESTRESS SERVICES INC.	
Checked By: <i>[Signature]</i>			DECATUR INDIANA	
P.C.# B27480			P.O. BOX 111, 7855 N.W. WINCHESTER ROAD	
			DECATUR, INDIANA . 46733	
			PHONE # : (219) 724-7117	
			FAX # : (219) 724-3349	
			Job No. D9193	Drawing No. 1 OF 2

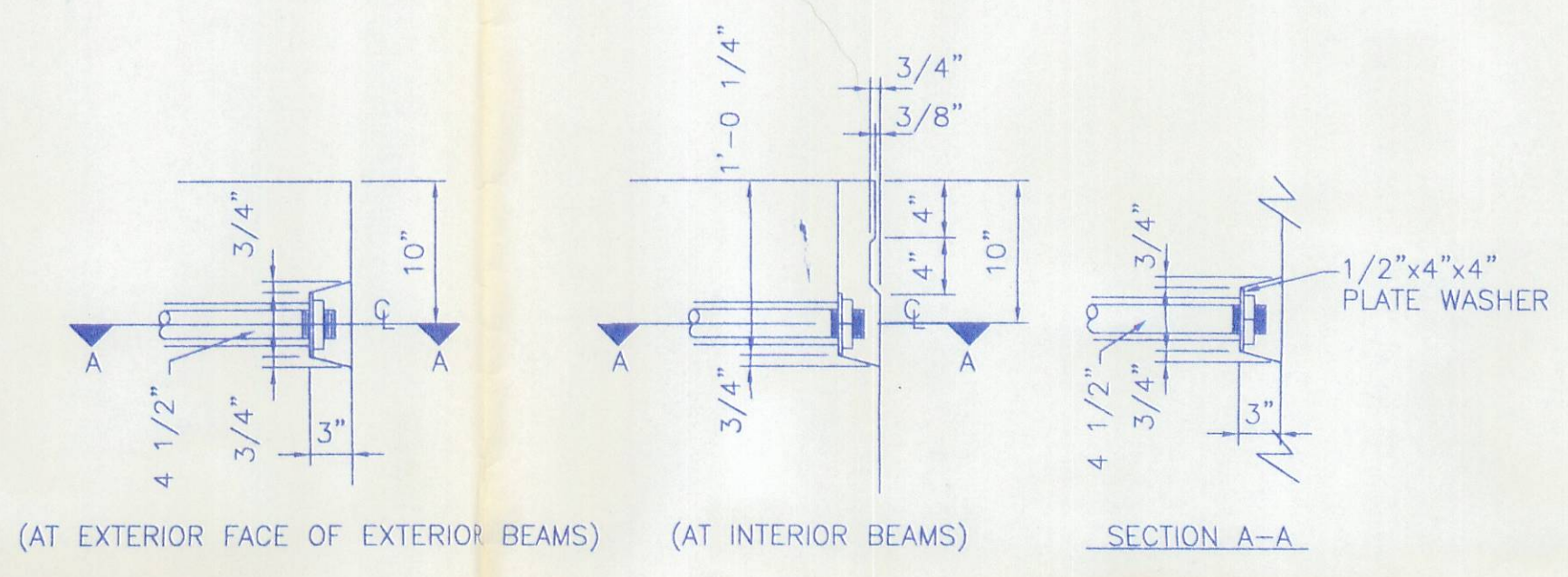


TYP. CROSS SECTION

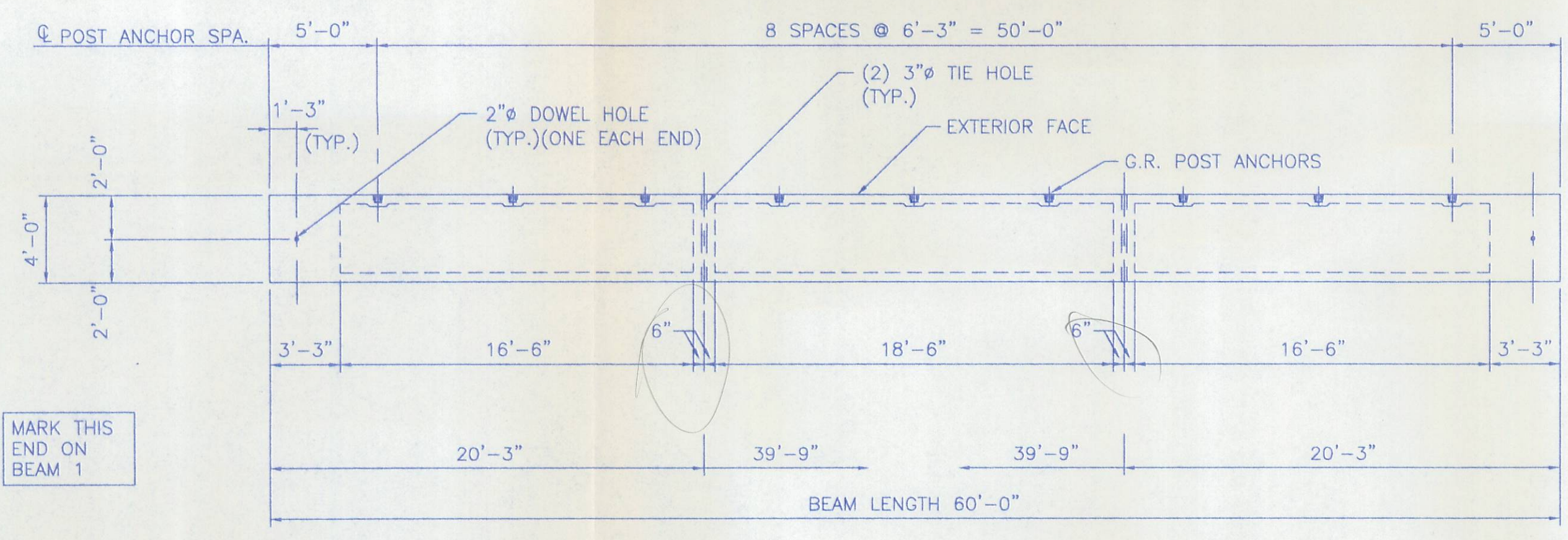
DEBONDING NOTES:
 □ = DEBOND 2 STRANDS @ 1'-6" (EACH END)



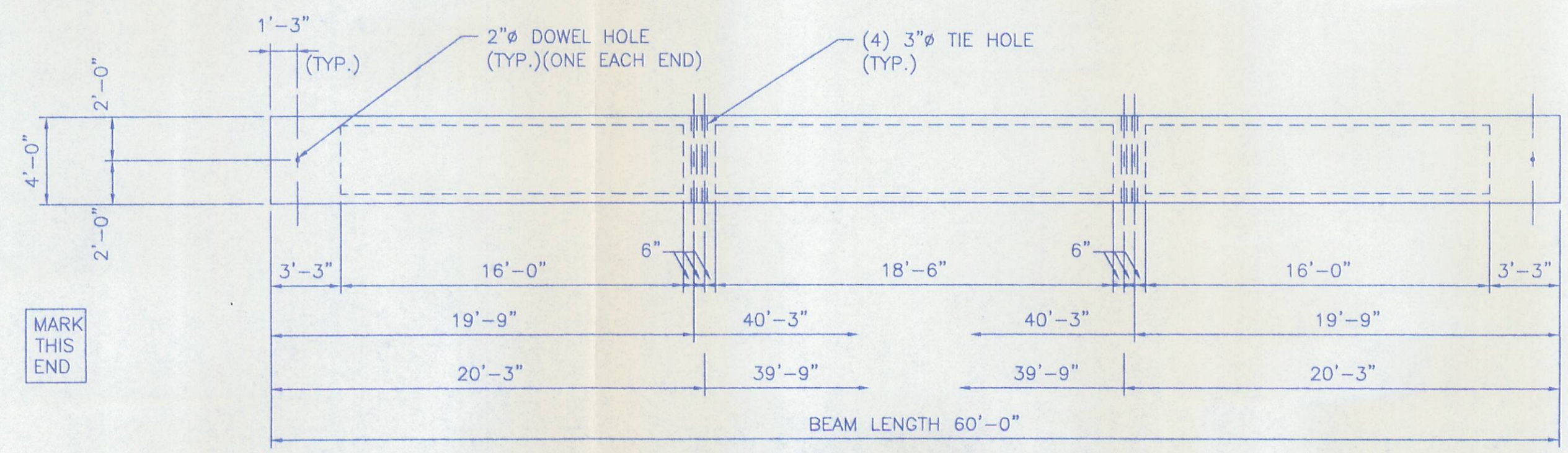
TYPICAL STEEL LAYOUT
 ALL REINFORCING STEEL TO BE GRADE 60 STEEL



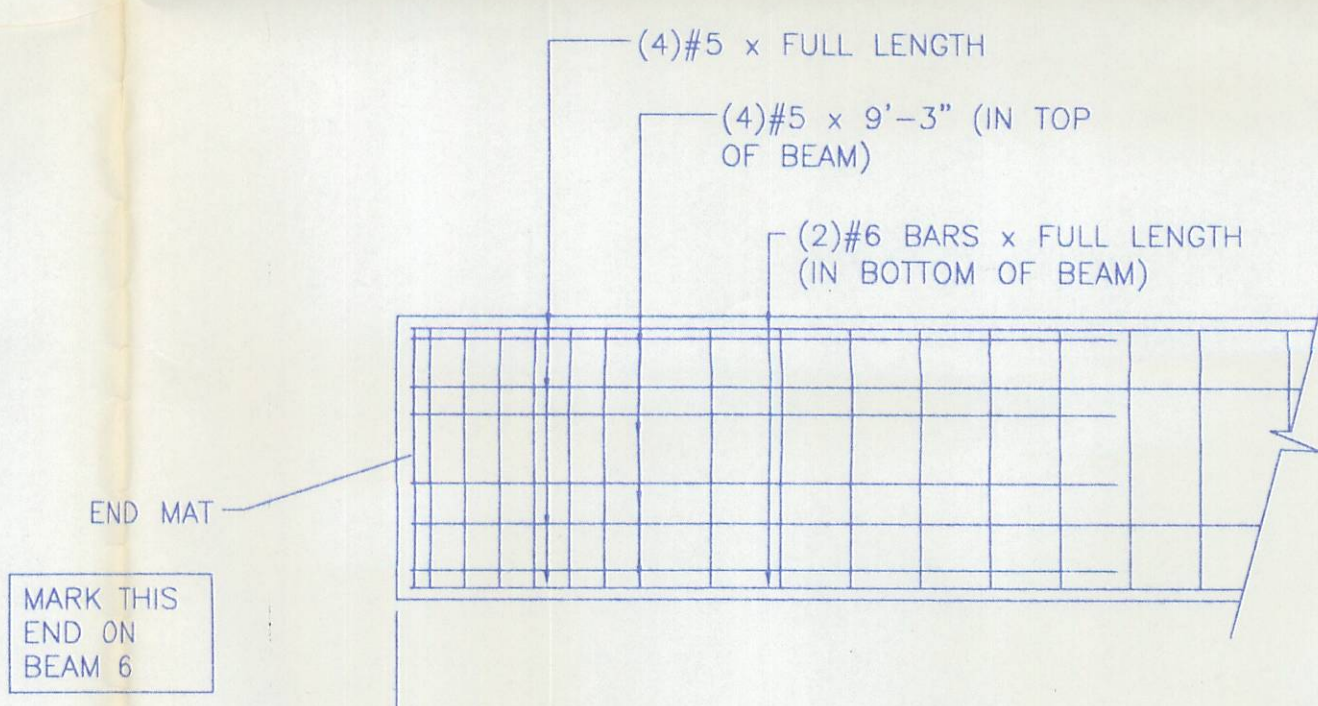
TIE ROD HAND HOLES



BEAM PLAN NO. 1 & 6
 (CASTING WEIGHT = 48,395 lbs.) (SHIPPING WEIGHT = 49,520 lbs.)

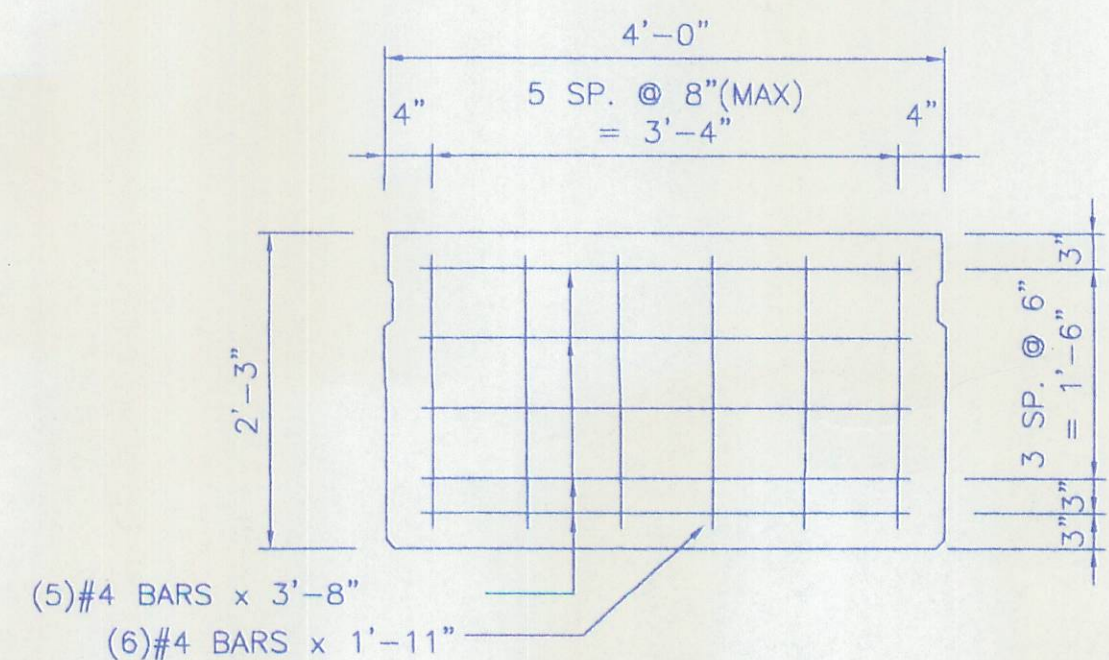


BEAM PLAN NO. 2 THRU 5
 (CASTING WEIGHT = 48,445 lbs.) (SHIPPING WEIGHT = 48,445 lbs.)

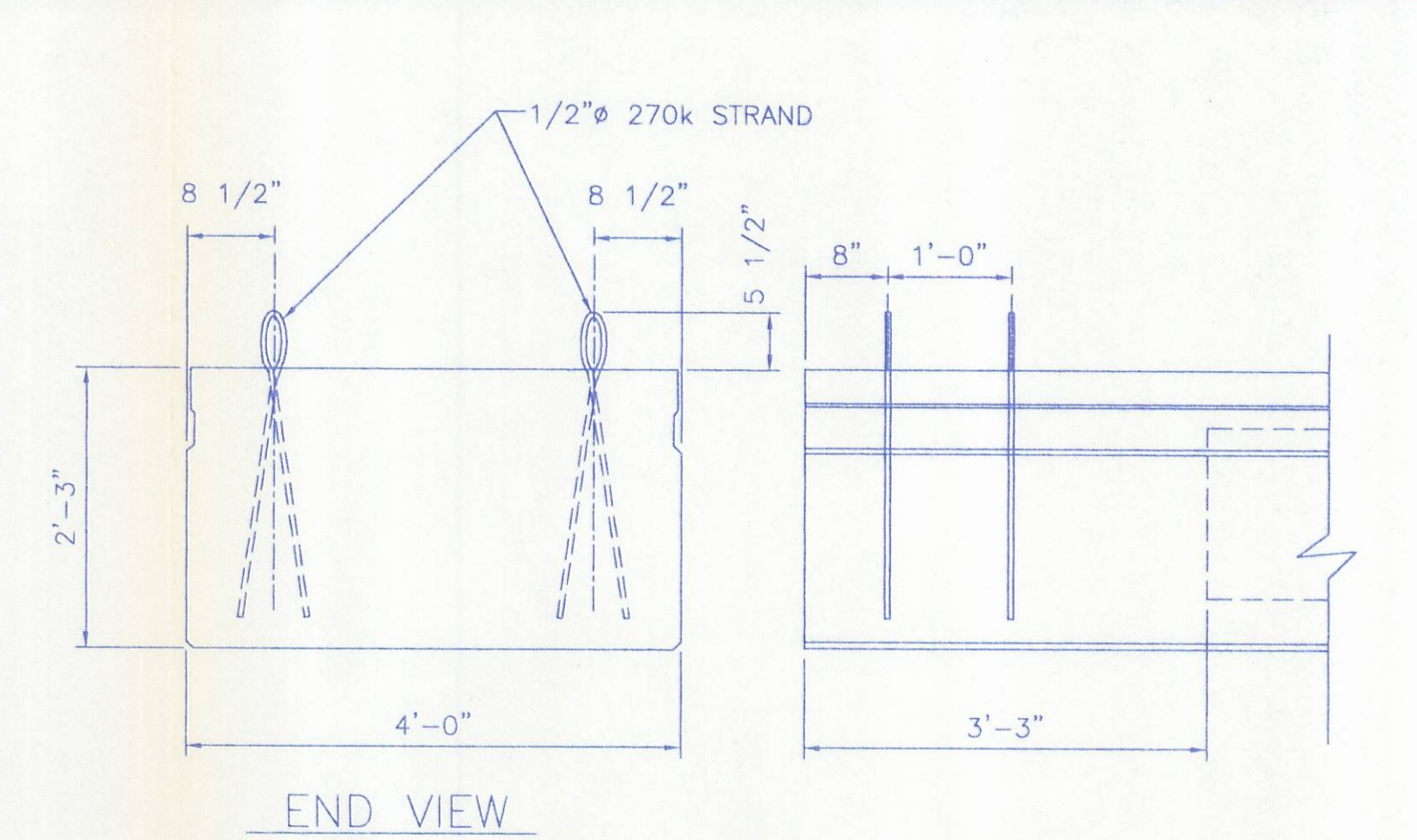


END MAT SPA.	3"		
#4 "K" BAR SPA.	3 1/2"	2'-8 1/2"	"K" BARS @ 13" o.c. (BOT)
#4 "R" BAR SPA.	4"	2'-8 1/2"	"R" BARS @ 13" o.c. (TOP)
#4 "Q" BAR SPA.	4 1/2"	2'-8 1/2"	"Q" BARS @ 13" o.c. (TOP)

BEAM END REINFORCING DETAIL

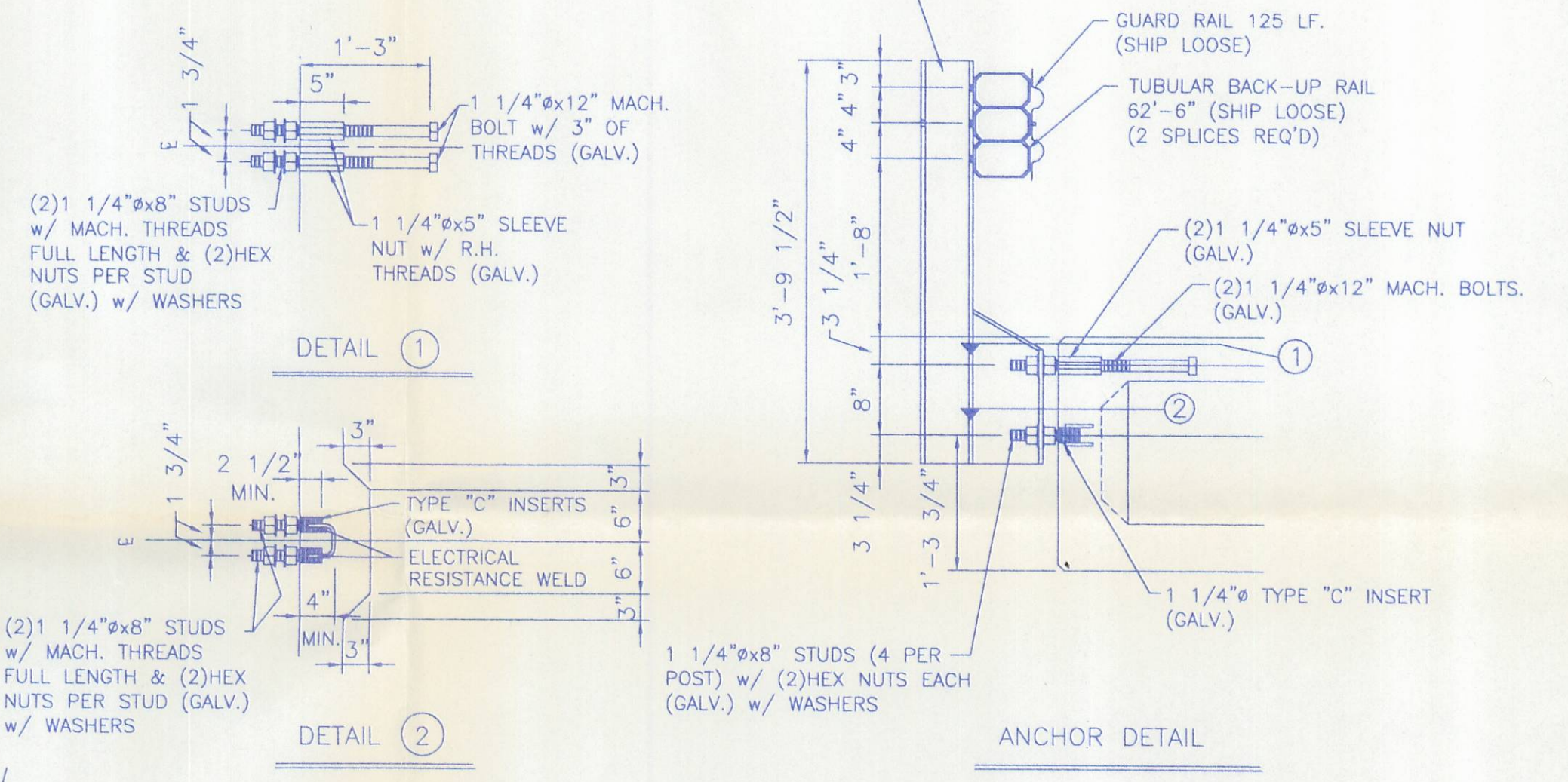


END MAT DETAIL



LIFTING DETAIL

WF6 x 25 x 3'-9 1/2" G.R. POST (GALV.) (INSTALL HOLES TO BE SLOTTED HOLES (TYPE-2 POST) (18 REQ'D)



NOTES:

1. CONCRETE STRENGTH AT TIME OF PRESTRESSING IS 4000 P.S.I. AND AT 28 DAYS IS 5500 P.S.I.
2. DETENSION STRAND SYMMETRICALLY ABOUT CENTER LINE
3. LOADING= HS-20-44 & ALTERNATE MILITARY.
4. BEAM WEIGHT= SEE BEAM LAYOUT
5. TOP SURFACE OF BEAMS GIVEN A LIGHT BROOM FINISH
6. ANTICIPATED CAMBER AS SHOWN ON PROJECT PLANS IS: 1 7/8"
7. WATERPROOF BEAM ENDS
8. OMIT KEYWAY ON EXTERIOR FACE OF EXTERIOR BEAMS.
9. SANDBLAST ALL KEYWAYS (4 DAYS BEFORE SHIPPING)
10. D.C.I. TO BE ADDED TO CONCRETE
11. ALL REINFORCING STEEL TO BE GRADE 60 STEEL
12. NO SEALANT NEEDED
13. EXTENDED STRAND IS NOT REQ'D ON THESE BEAMS
14. SHOP DRAWINGS ARE PER DESIGN DRAWINGS AND 1997 SPECIFICATIONS
15. 1/2" 270 SEVEN WIRE UNCOATED LOW-RELAXATION STRAND, AREA = .153 sq. in. GRADE 270. INITIAL PULL PER STRAND IS 30,982 lbs.

CHANGE NOTES

- CHANGES ARE NOTED AS DIFFERENT FROM O.D.O.T. STD. DWG. P.S.B.D.-1-93 AND ARE VARIED PER. NOTE ON P.S.B.D.-1-93 SHT. 2 OF 4.
1. 3/4" KEYWAY TO 4" KEYWAY.
 2. Tie Rod Hand Hole From 9" To 10".

REVISIONS			Project: LOGAN COUNTY JOB	
NO.	Description	Date/By	Br. No.:	BR # 65-0.02
			County, State:	LOGAN COUNTY, OHIO
			Location:	
Date: 6/29/99			Contractor: LOGAN COUNTY FORCES	
Drawn By: M.W.B.			Fabrication Plant: PRESTRESS SERVICES INC.	
Checked By: [Signature]			DRAFTING OFFICE: PRESTRESS SERVICES	
P.C.# B27480			DECATUR INDIANA Ph# (219) 724-7117 Fax# (219) 724-3349	
			Job No. Drawing No. D9193 2 OF 2	