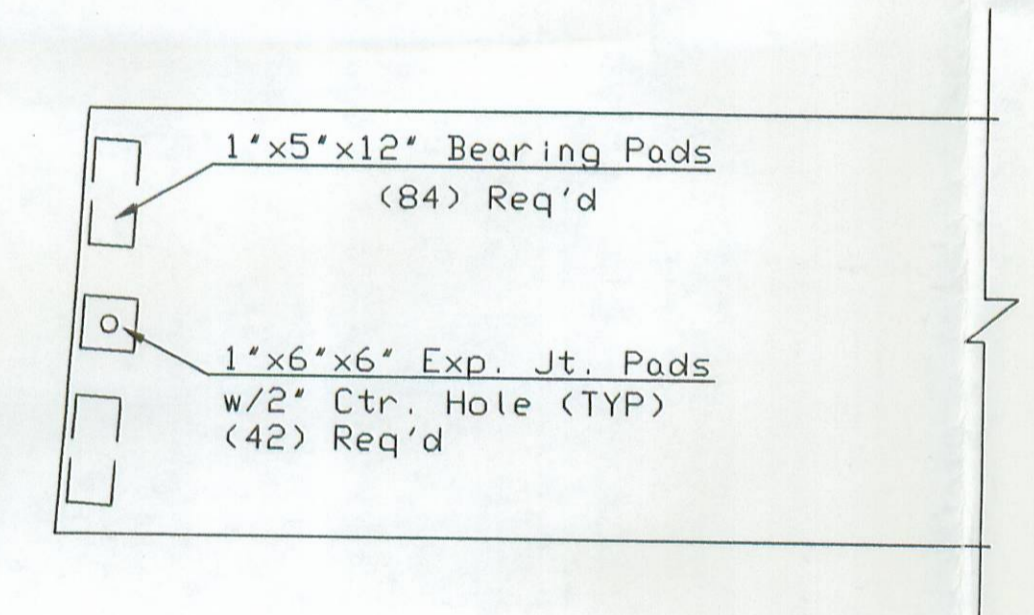
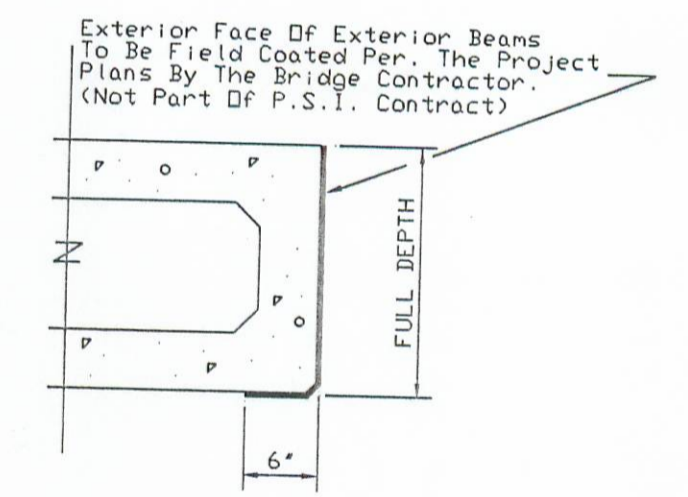


BEAM LAYOUT

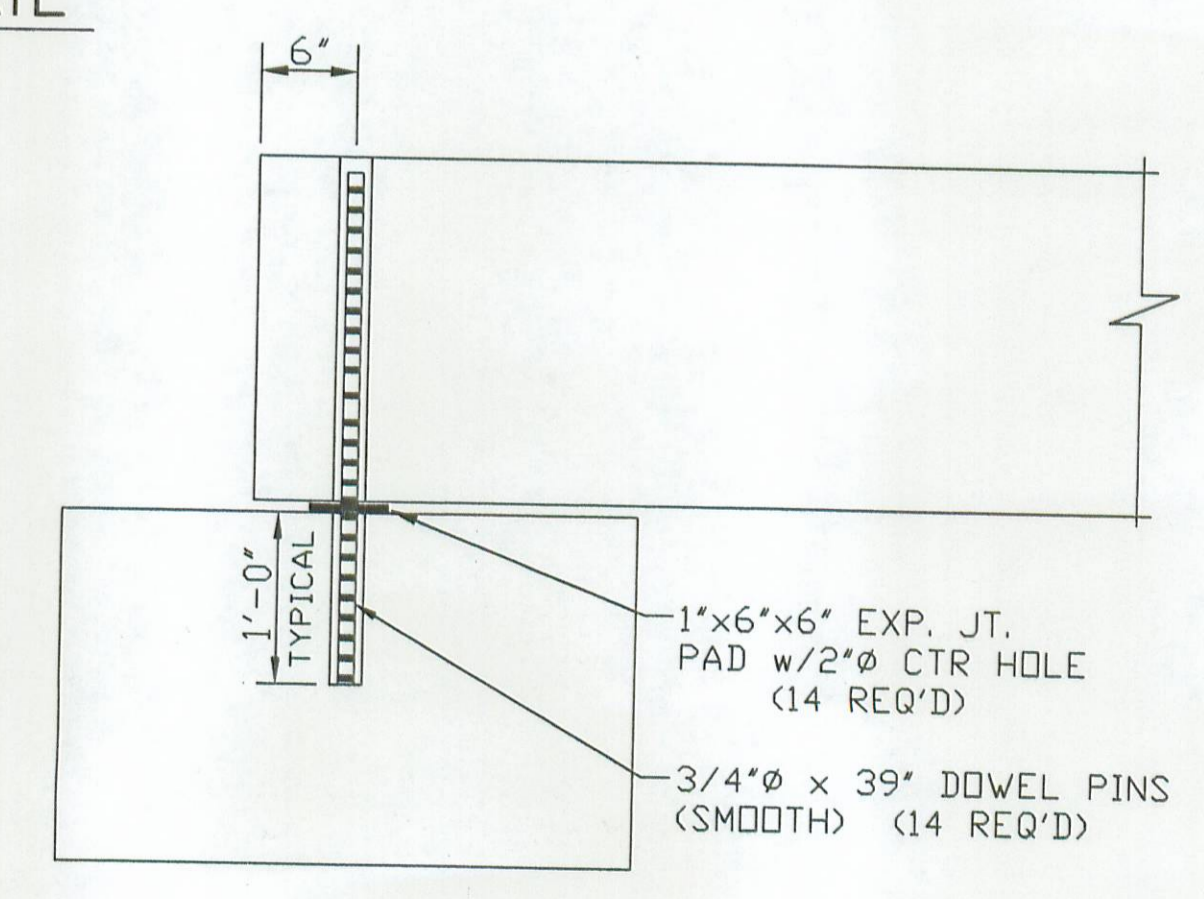
ERECTION NOTE: PLACE MARKED END AT ABUTMENTS



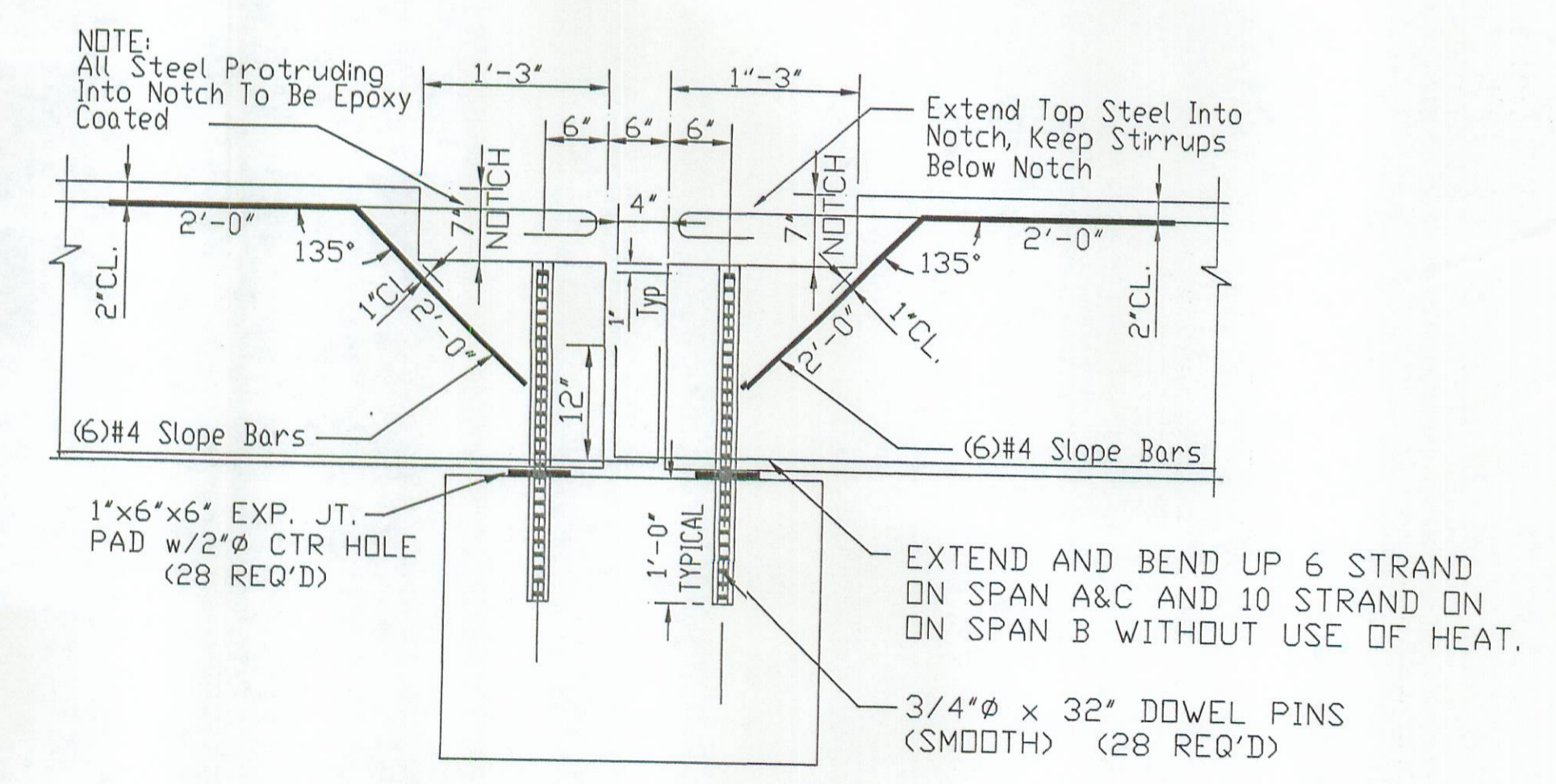
BEARING PAD PLACEMENT DETAIL



Sealing Of Exterior Beam



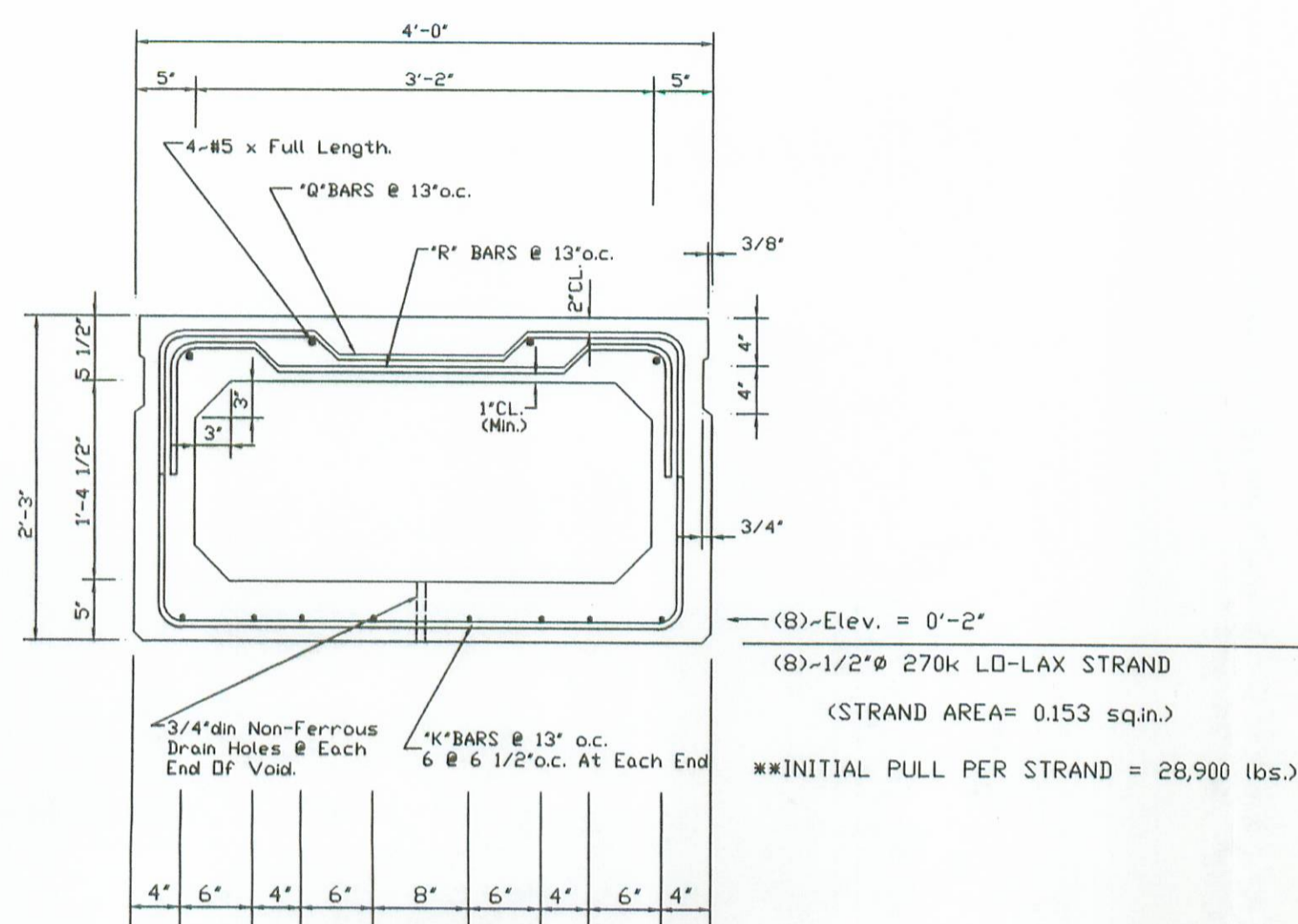
ABUTMENT END DETAIL



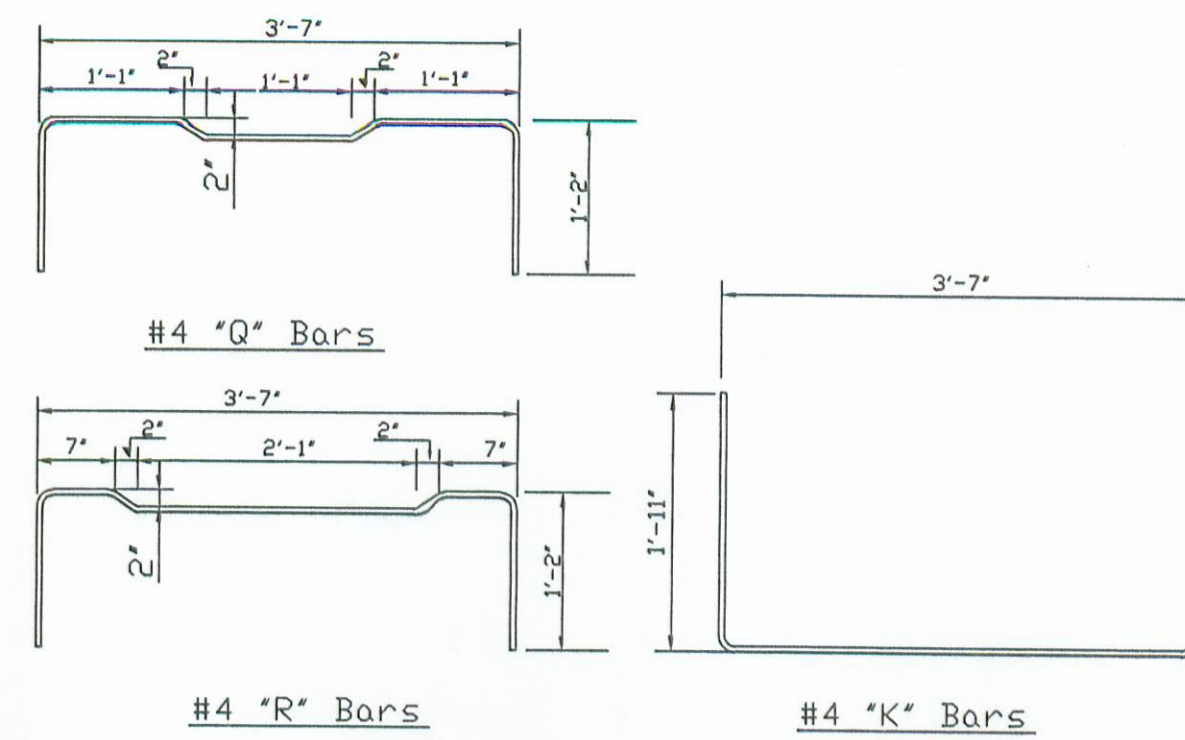
PIER END DETAIL

REVISIONS			
NO.	Description	Date	By

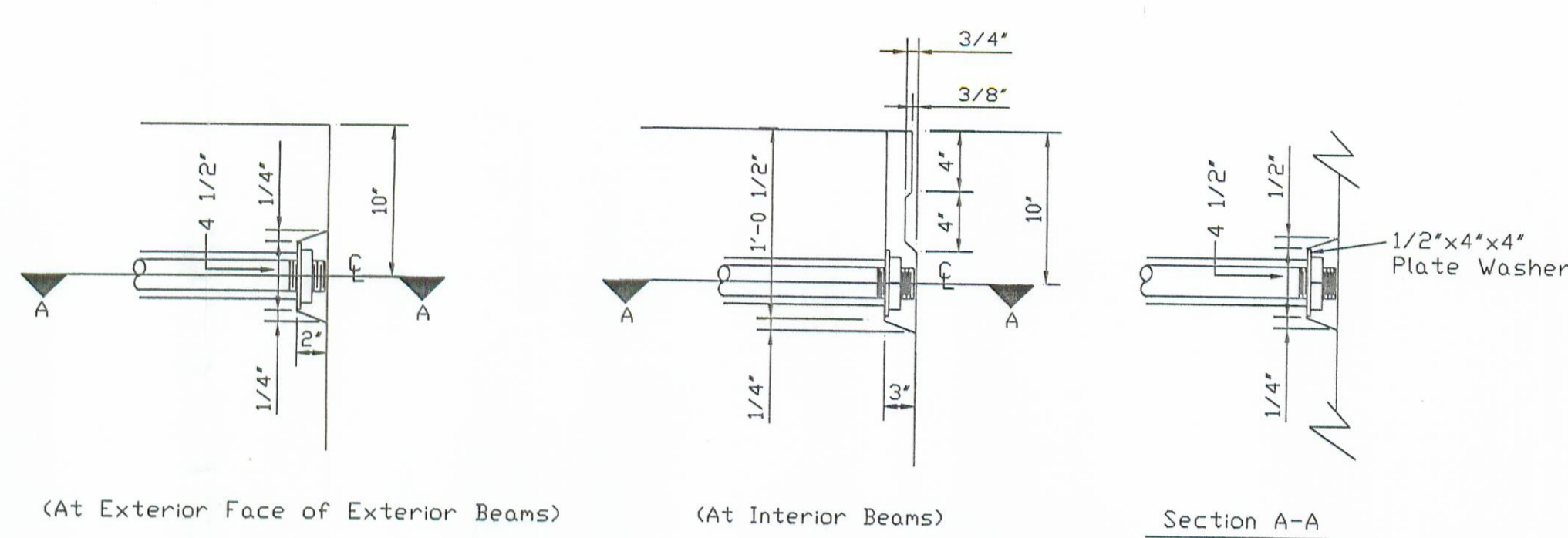
Proj.:	COUNTY JOB
Br. No.:	59-0.28
County, State:	LOGAN COUNTY, OHIO
Location:	
Contractor:	COUNTY FORCES
Date:	8-11-95
Drawn By:	E.J.S.
Checked By:	E.H.B. / J.M.T.
P.C.#	9427
Contractor:	PRESTRESS SERVICES INC.
P.O.Box 111 R.R.#8 Winchester Rd. Decatur, Indiana 46733	
Job No.	Drawing No.
3905	1 OF 3



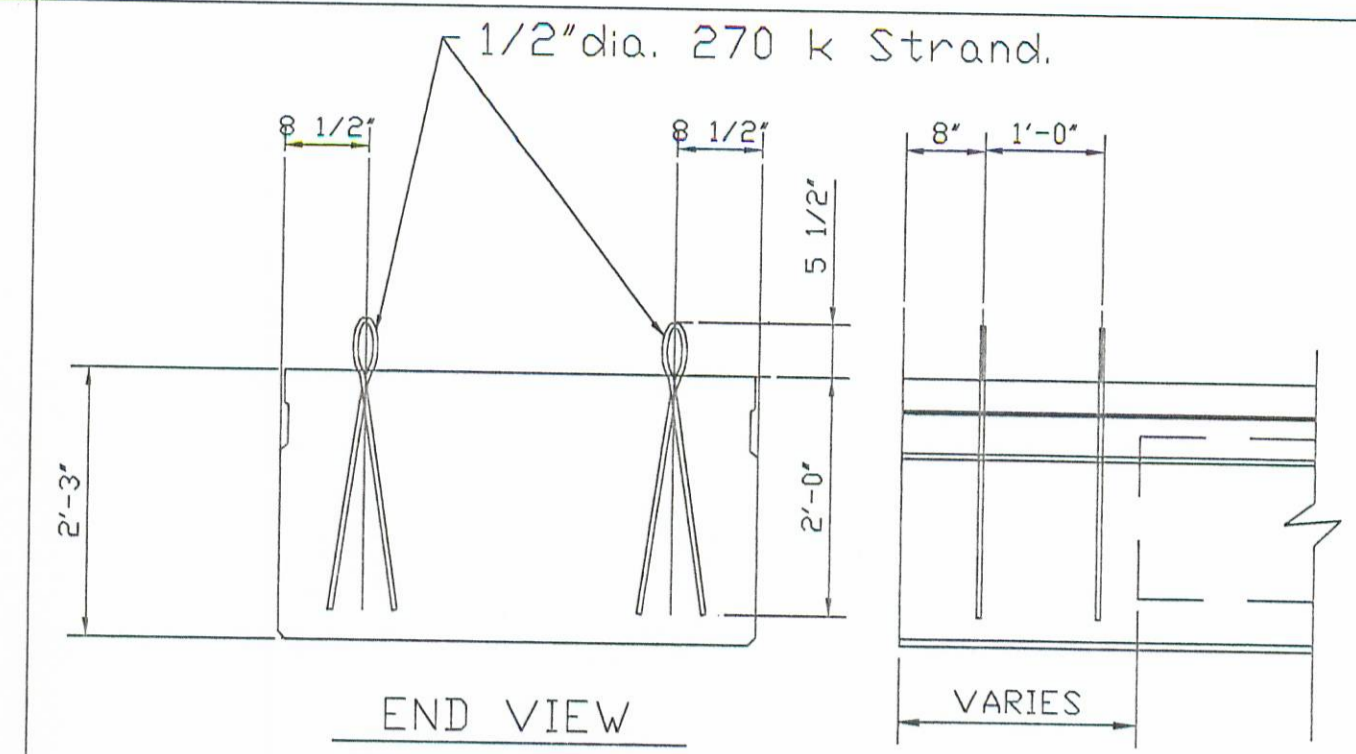
Typ. Cross Section
 (FOR SPANS A & C ONLY)



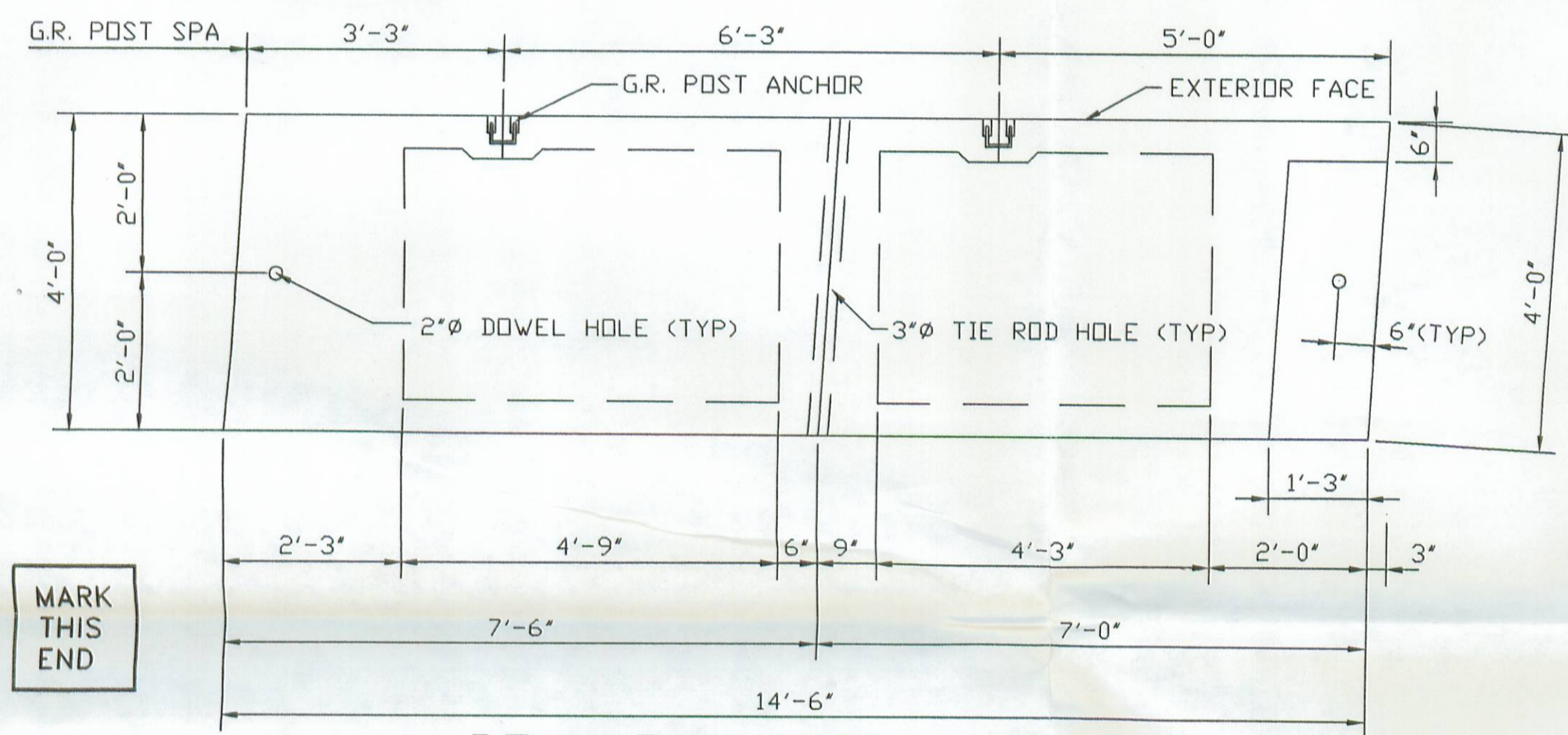
TYP. STEEL LAYOUT



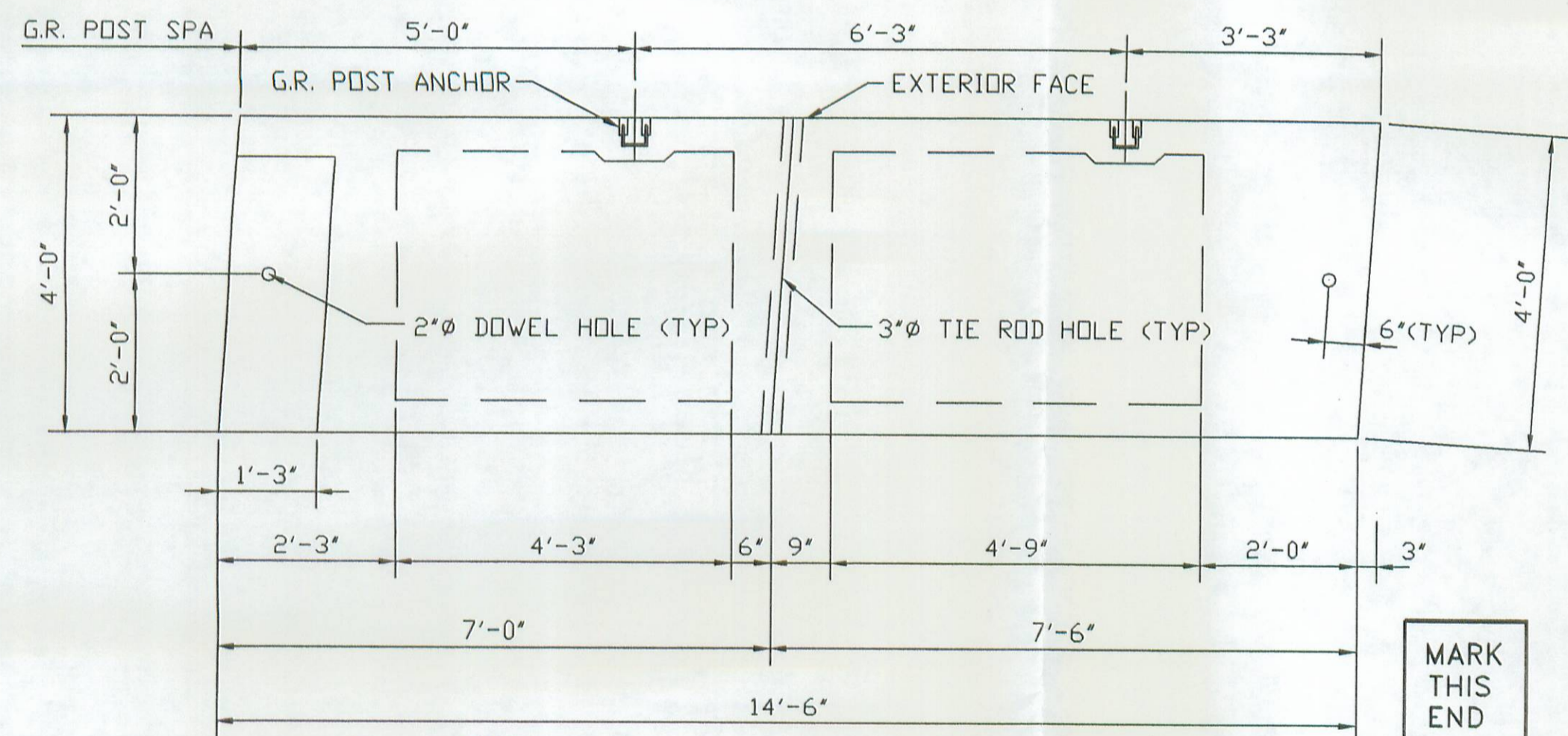
TIE ROD HAND HOLES



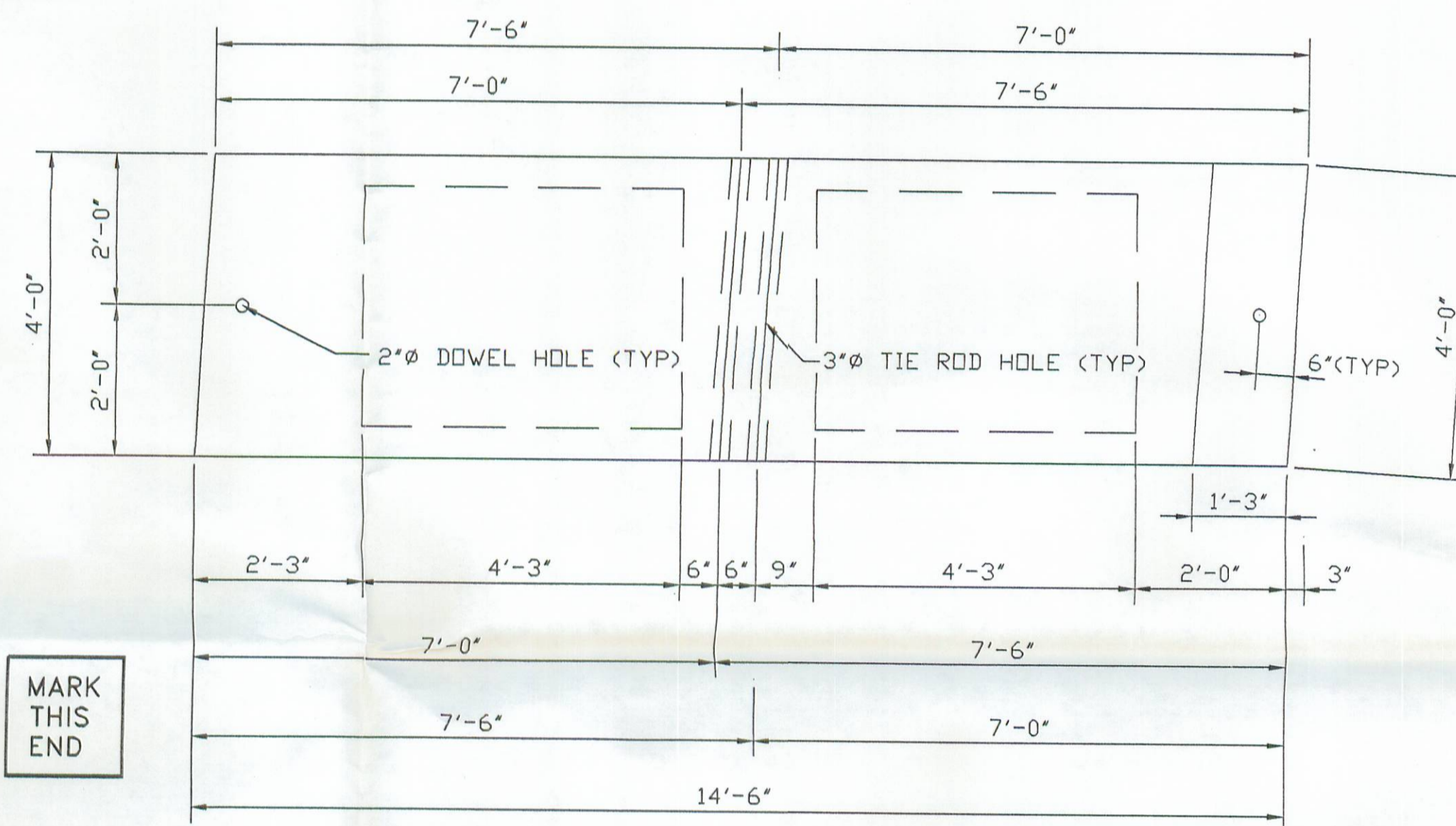
Lifting Detail



BEAM PLAN NO. A1 & C7
 (CASTING WEIGHT=13,810 lbs.) (SHIPPING WEIGHT=13,935 lbs.)

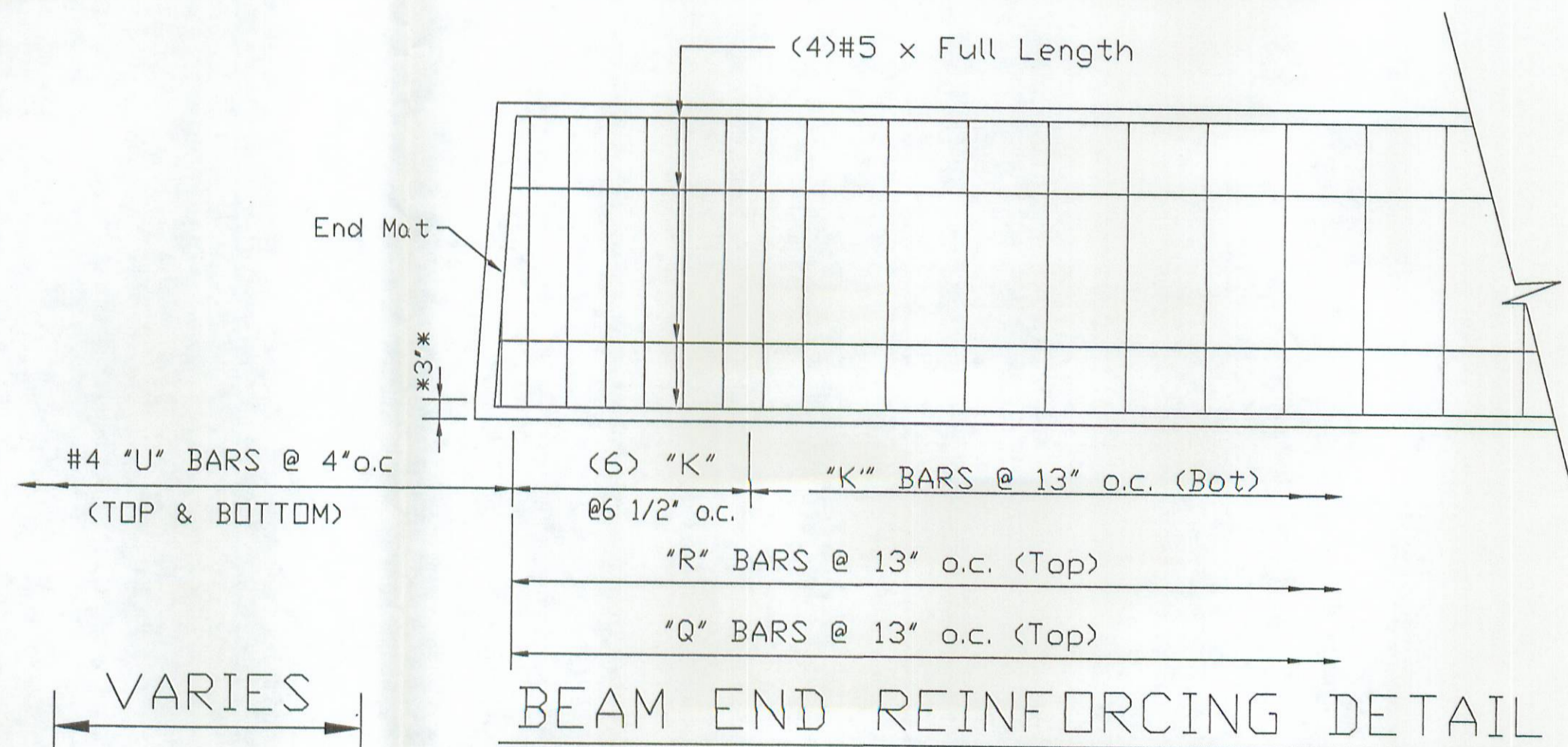


BEAM PLAN NO. A7 & C1
 (CASTING WEIGHT=13,810 lbs.) (SHIPPING WEIGHT=13,935 lbs.)

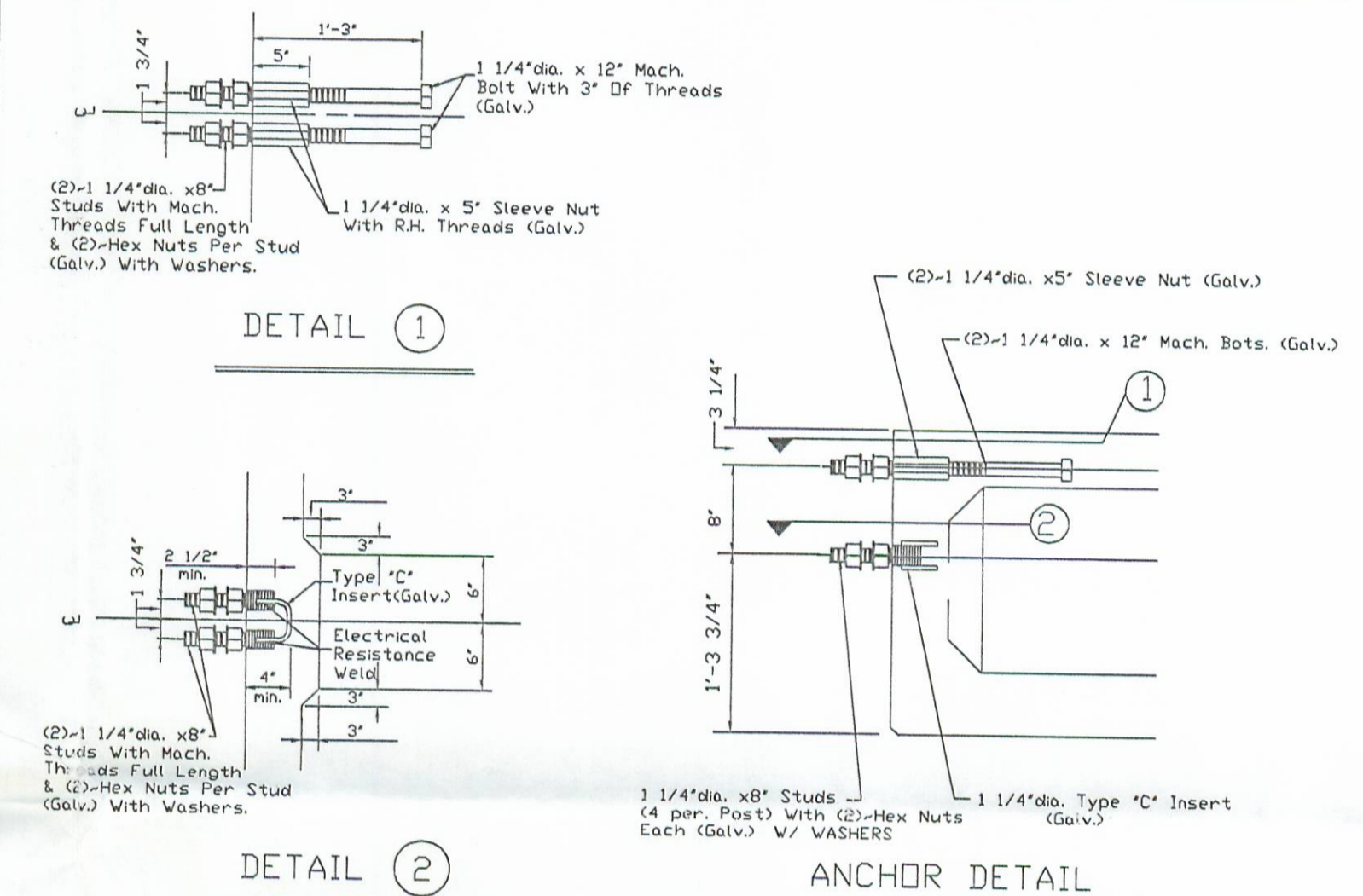


BEAM PLAN NO. A2 THRU A6 & C2 THRU C6
 (CASTING WEIGHT=13,740 lbs.) (SHIPPING WEIGHT=13,740 lbs.)

NOTE: *3"* : LONG POINT TO BE TRIMMED (TYP. BOTH ENDS)



#4 "U" BAR DETAIL

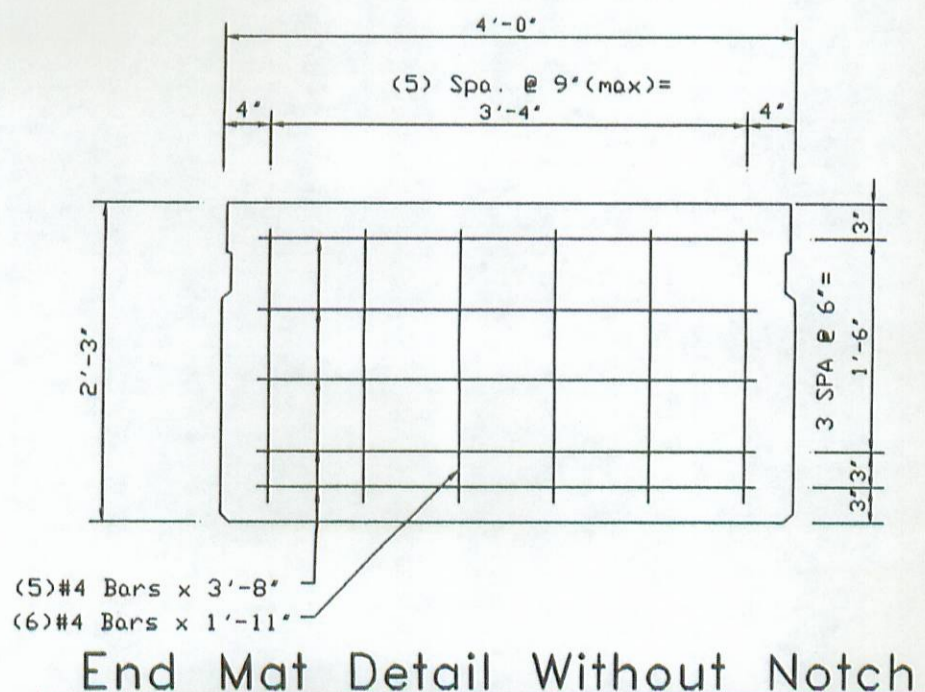


- NOTES:
1. CONCRETE STRENGTH AT TIME OF PRESTRESSING IS 4000 P.S.I. AND AT 28 DAYS IS 5500 P.S.I.
 2. DETENSION STRAND SYMMETRICALLY ABOUT CENTER LINE.
 3. LOADING= HS-20-44 & ALTERNATE MILITARY.
 4. BEAM WEIGHT=SEE BEAM PLANS.
 5. TOP SURFACE OF BEAMS GIVEN A LIGHT BROOM FINISH
 6. ANTICIPATED CAMBER AS SHOWN ON PROJECT PLANS= 1/916"
 7. WATERPROOF BEAM ENDS AT ABUTMENT ENDS ONLY.
 8. OMIT KEYWAY ON EXTERIOR FACE OF EXTERIOR BEAMS.

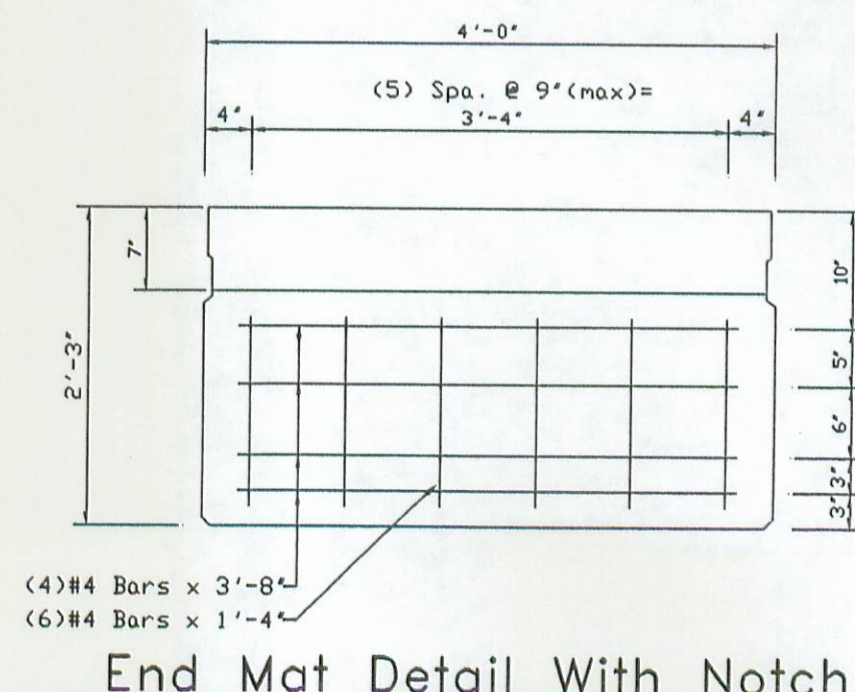
CHANGES ARE NOTED AS DIFFERENT FROM O.D.D.T. STD. DWG. P.S.B.D.-1-93 AND ARE VARIED PER. NOTE ON DWG. P.S.B.D.-1-93 SHT 2 OF 4.

1. 3/4" KEYWAY TO 4/4" KEYWAY.
2. TIE ROD HAND HOLE FROM 9" TO 10".

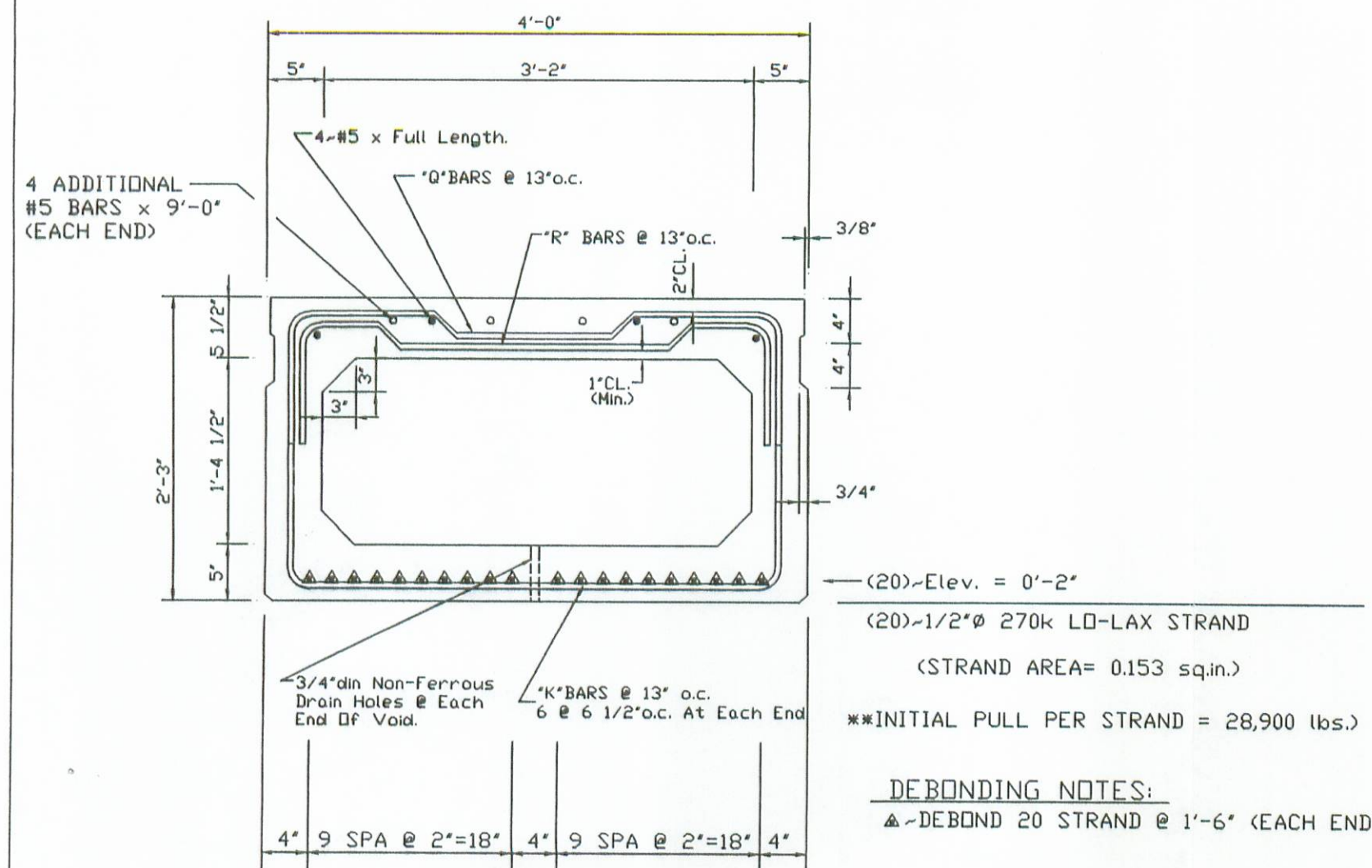
REVISIONS				Project: COUNTY JOB	
NO.	Description	Date	By	Br. No:	59-028
				County, State:	LOGAN COUNTY, OHIO
				Location:	
				Contractor:	COUNTY FORCES
				Date:	8-11-95
				Drawn By:	E.J.S.
				Checked By:	
				P.C.#	9427
				Job No.	3905
				Drawing No.	2 OF 3



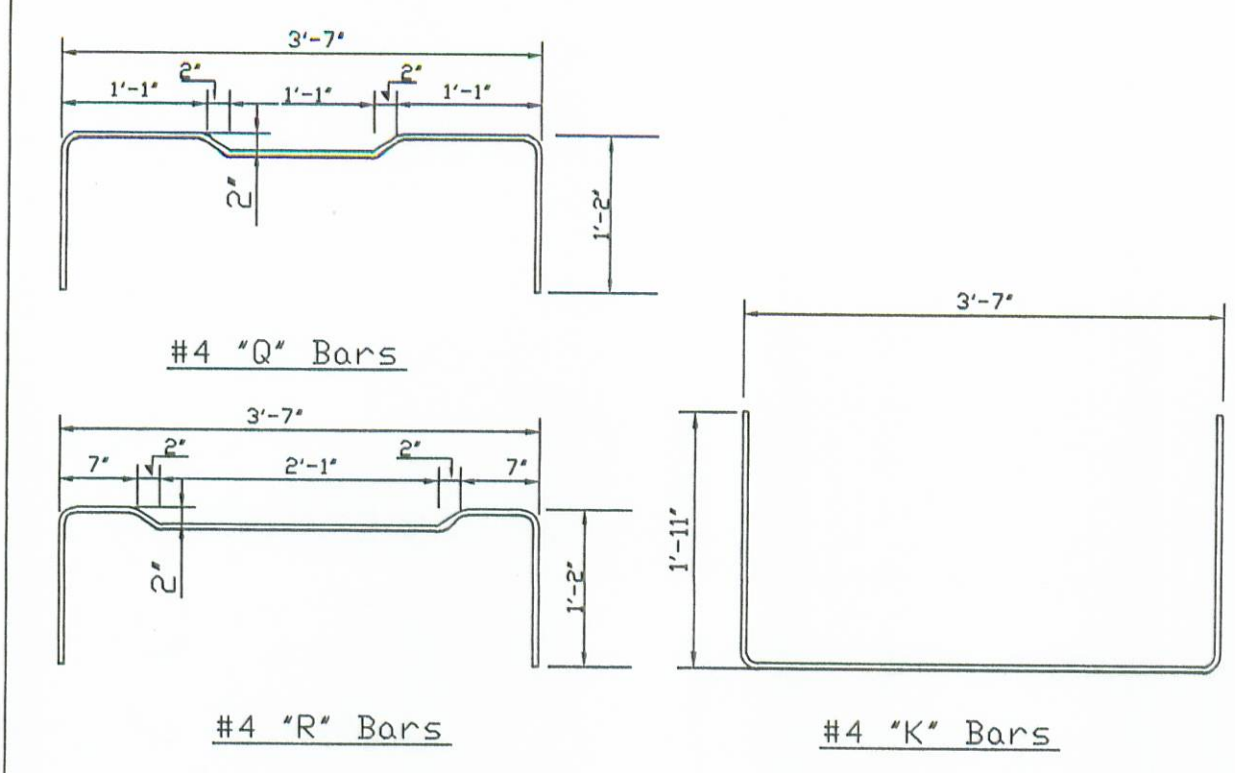
End Mat Detail Without Notch



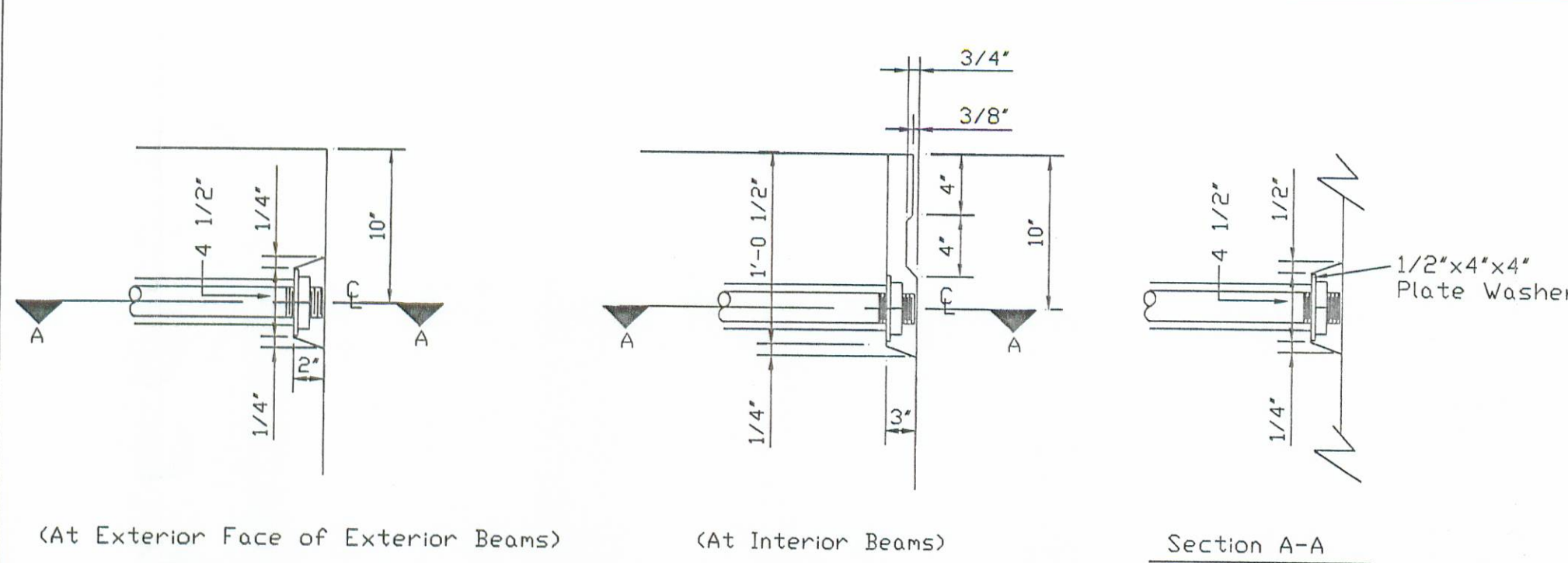
End Mat Detail With Notch



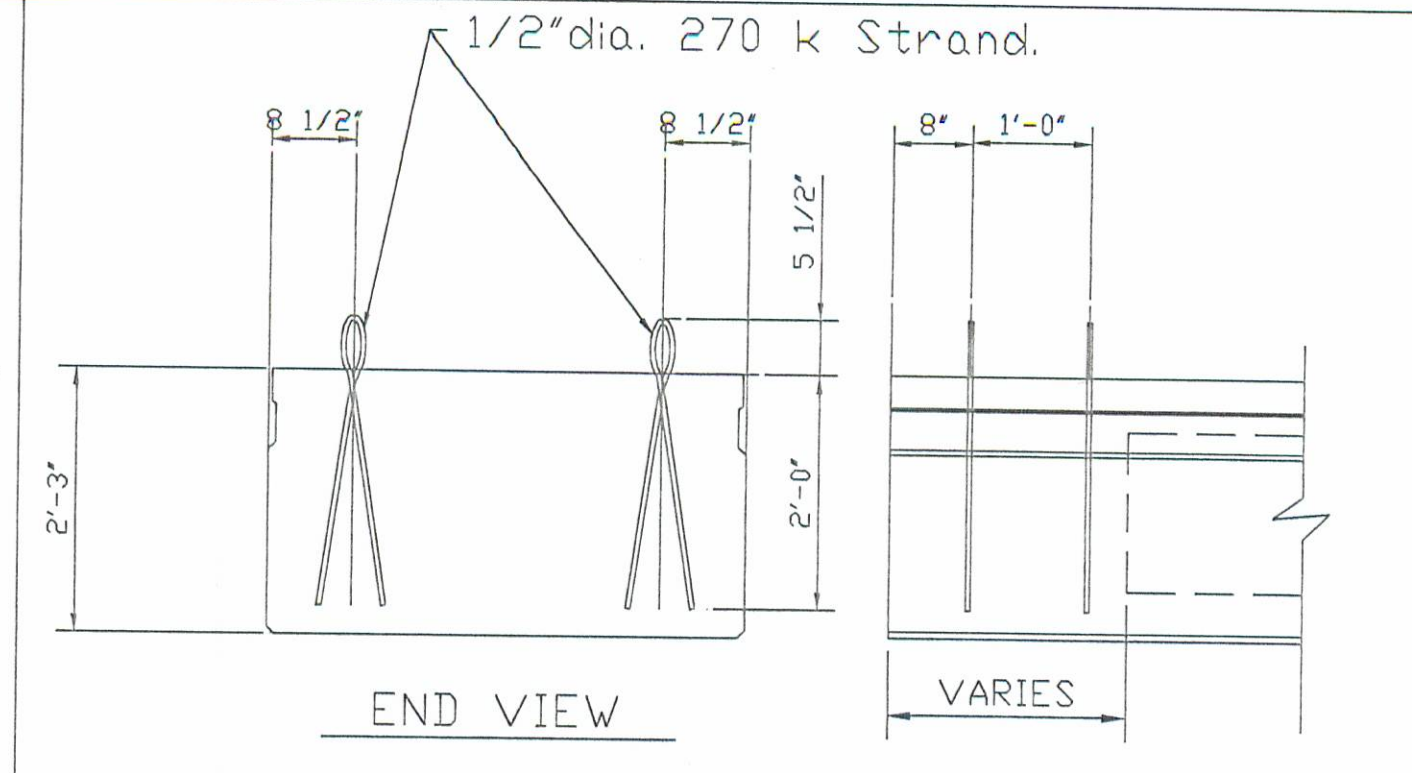
Typ. Cross Section
(FOR SPANS B ONLY)



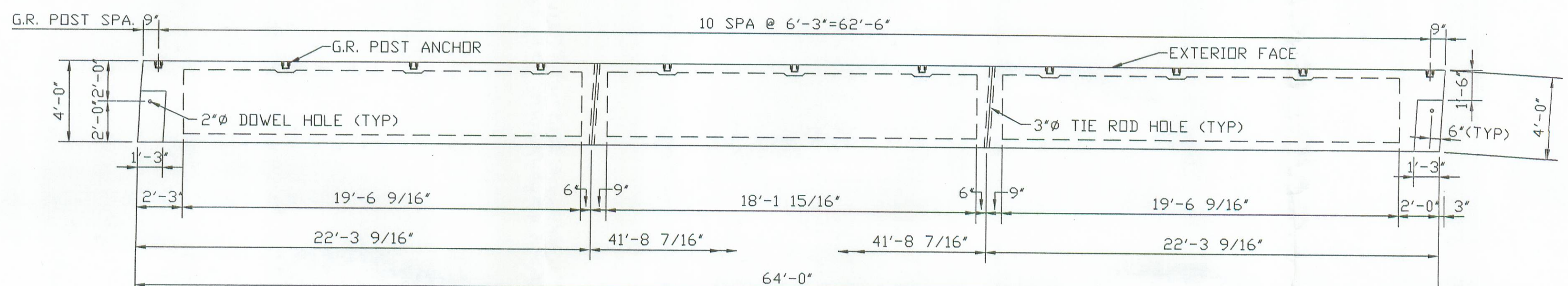
TYP. STEEL LAYOUT



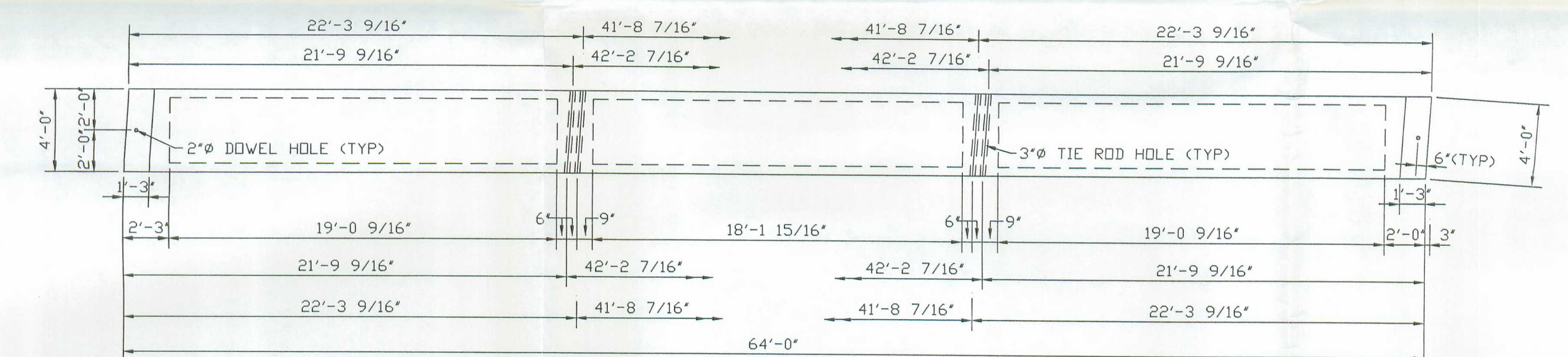
TIE ROD HAND HOLES



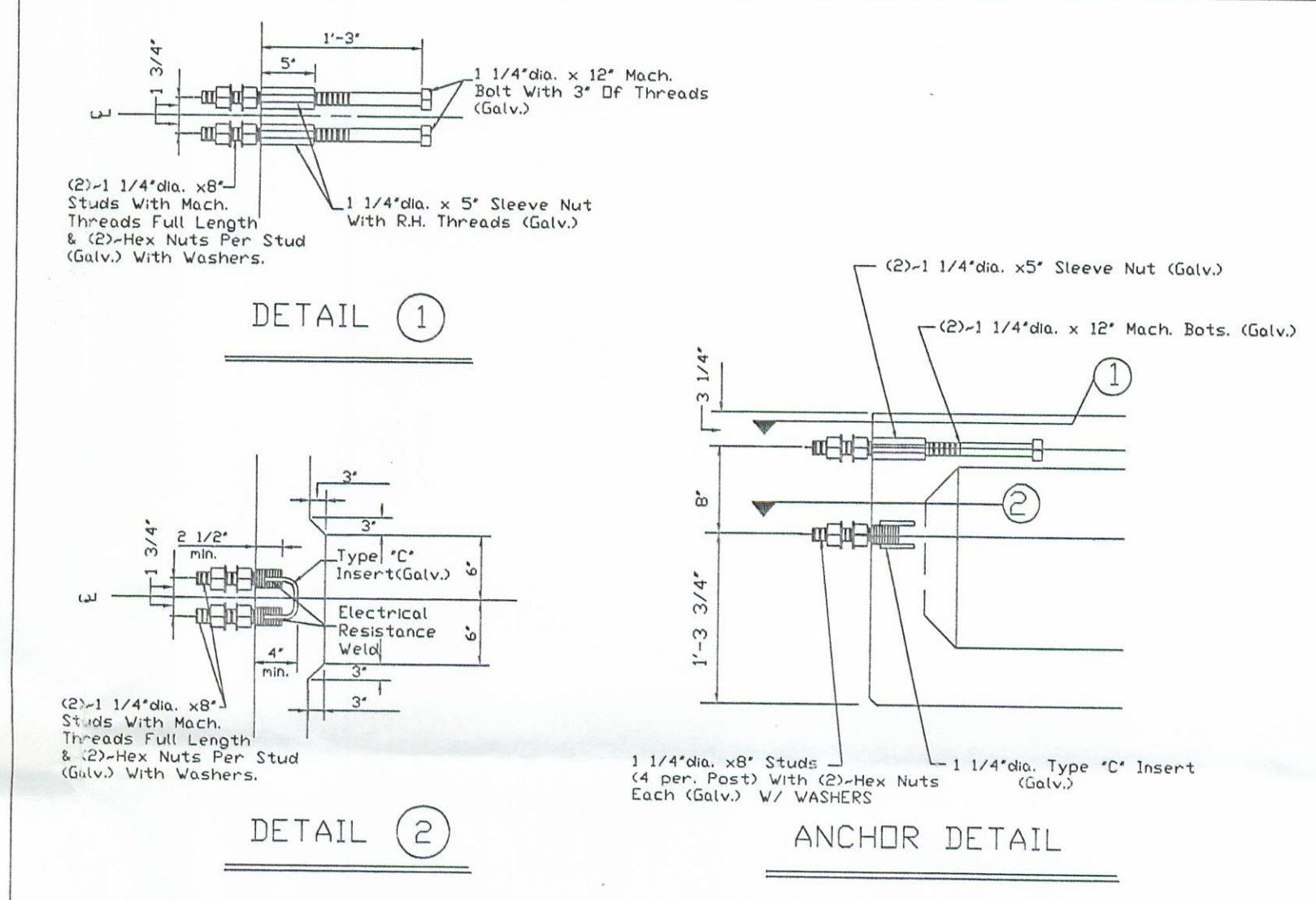
Lifting Detail



BEAM PLAN NO. B1 & B7
(CASTING WEIGHT=50,115 lbs.) (SHIPPING WEIGHT=50,465 lbs.)

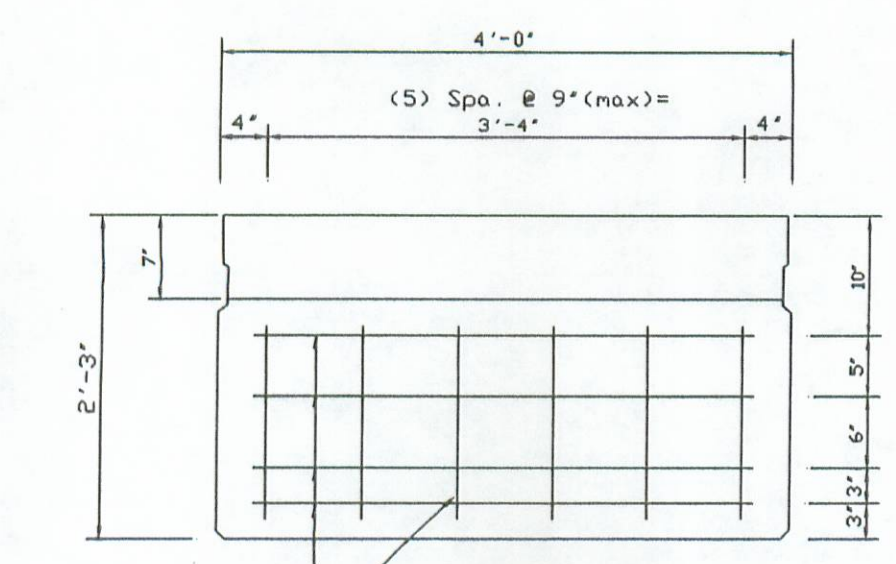


BEAM PLAN NO. B2 THRU B6
(CASTING WEIGHT=50,165 lbs.) (SHIPPING WEIGHT=50,165 lbs.)

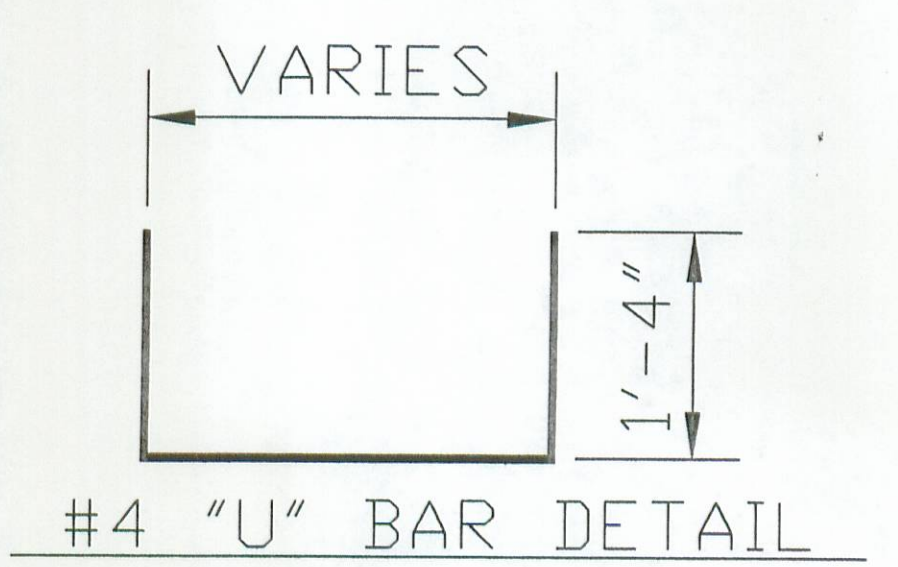


ANCHOR DETAIL

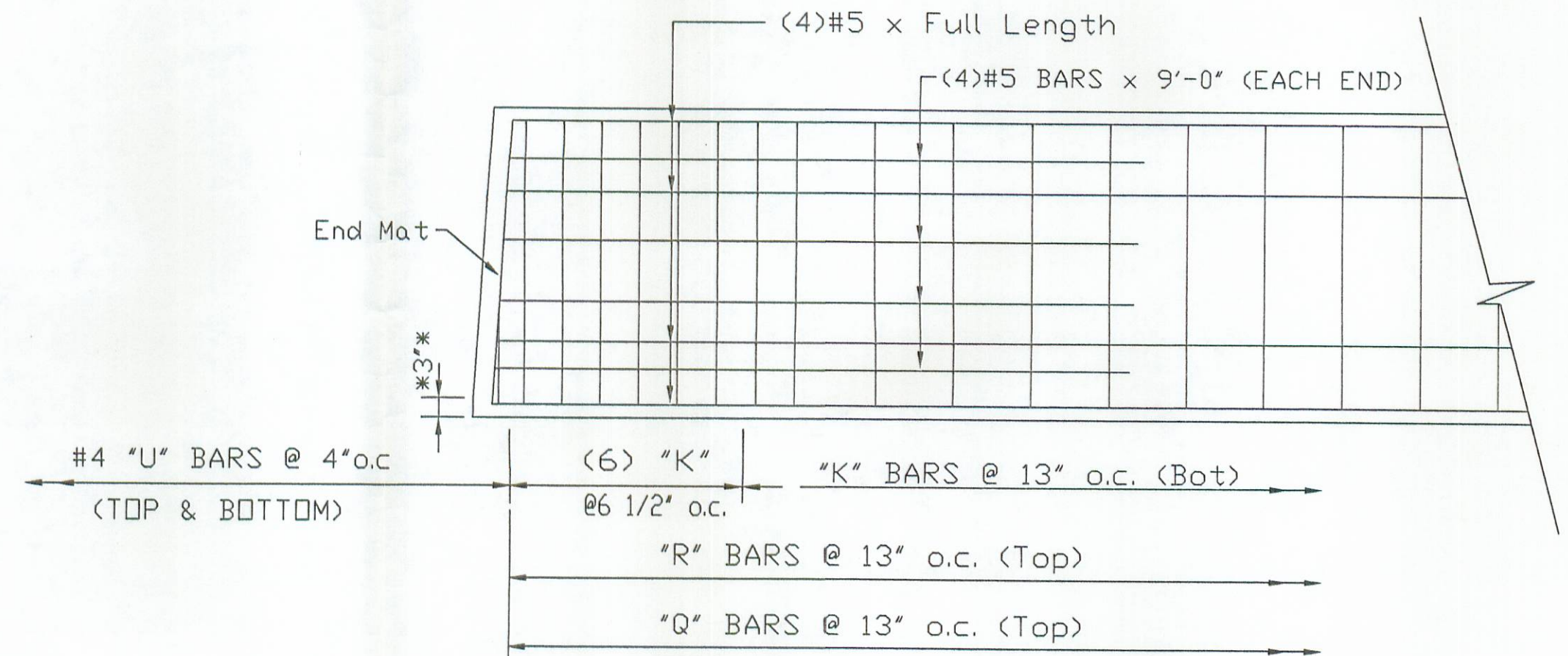
- NOTES:
- CONCRETE STRENGTH AT TIME OF PRESTRESSING IS 4000 P.S.I. AND AT 28 DAYS IS 5500 P.S.I.
 - DENSATION STRAND SYMMETRICALLY ABOUT CENTER LINE.
 - LOADING= HS-20-44 & ALTERNATE MILITARY.
 - BEAM WEIGHT-SEE BEAM PLANS.
 - TOP SURFACE OF BEAMS GIVEN A LIGHT BROOM FINISH
 - ANTICIPATED CAMBER AS SHOWN ON PROJECT PLANS= 1/9/16"
 - DMIT KEYWAY ON EXTERIOR FACE OF EXTERIOR BEAMS.
- CHANGES ARE NOTED AS DIFFERENT FROM O.D.D.T. STD. DWG. P.S.B.D.-1-93 AND ARE VARIED PER NOTE ON DWG. P.S.B.D.-1-93 SHT 2 OF 4.
- 3/4" KEYWAY TO 4/4" KEYWAY.
 - TIE ROD HAND HOLE FROM 9" TO 10".



End Mat Detail With Notch



#4 "U" BAR DETAIL



BEAM END REINFORCING DETAIL

REVISIONS			Project: COUNTY JOB	
NO.	Description	Date By	Br. No:	59-028
			County, State:	LOGAN COUNTY, OHIO
			Location:	
			Contractor:	COUNTY FORCES
			Date:	8-11-95
			Drawn By:	E.J.S.
			Checked By:	E.J.S.
			P.C.#	9427
			Job No.	3905
			Drawing No.	3 OF 3