

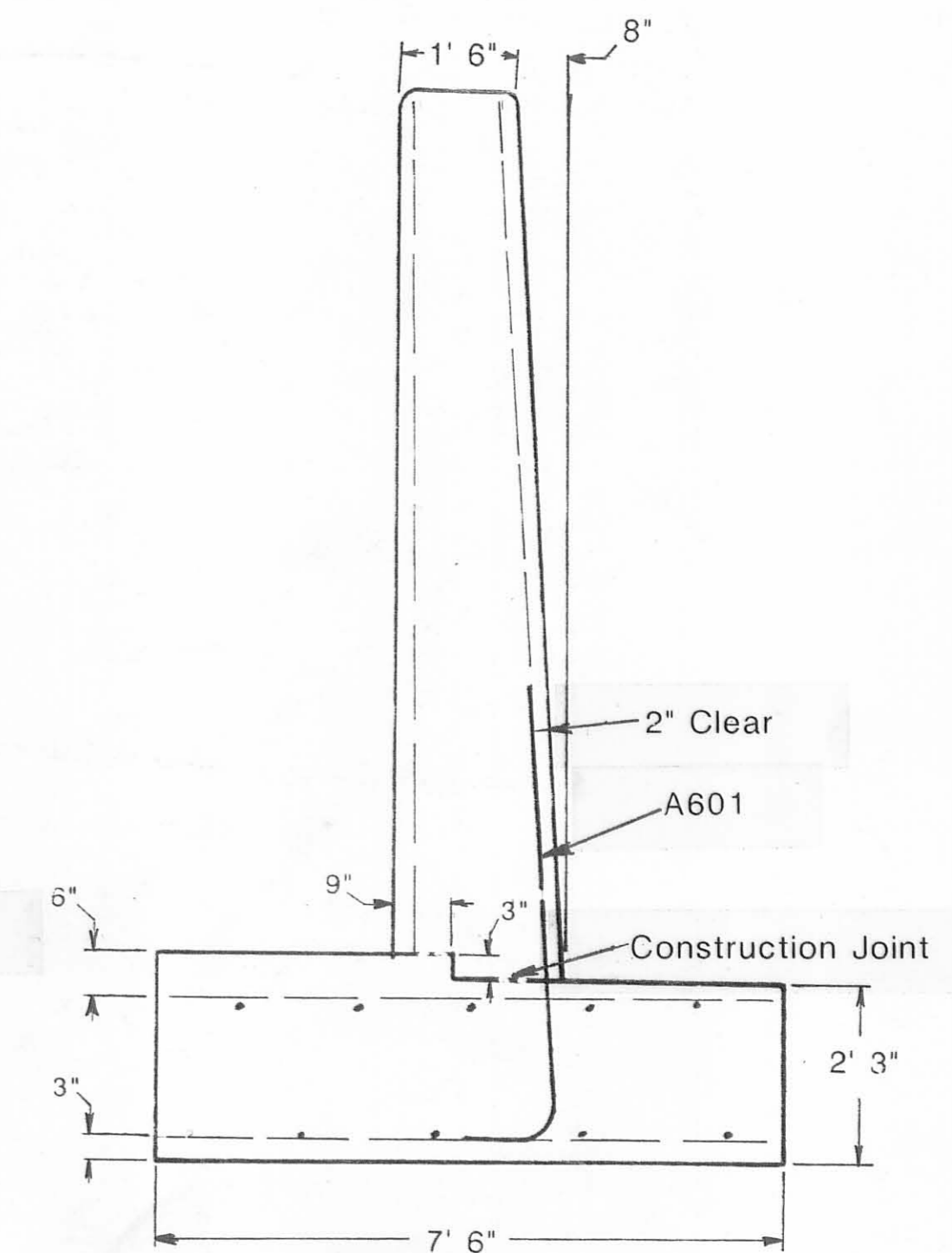
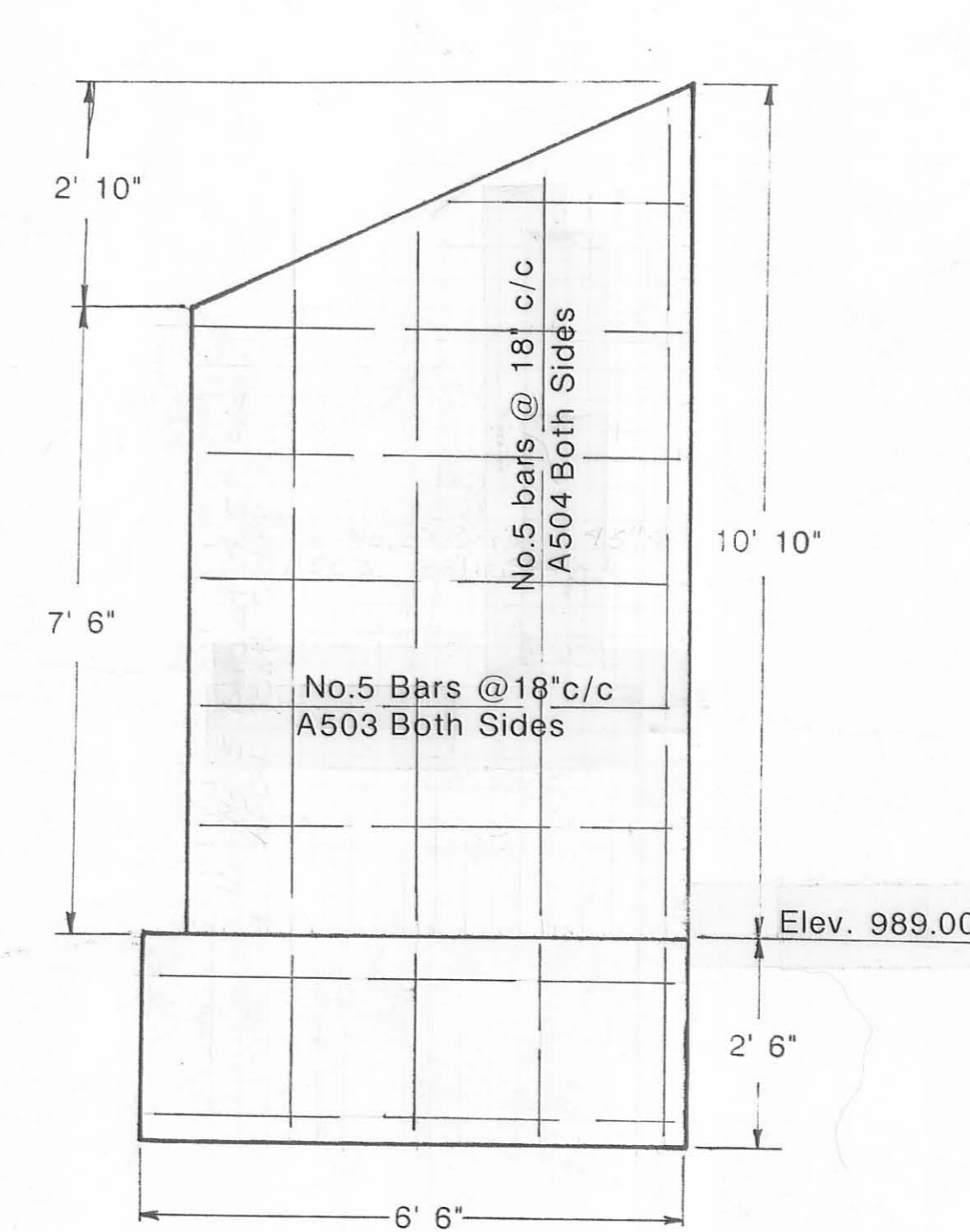
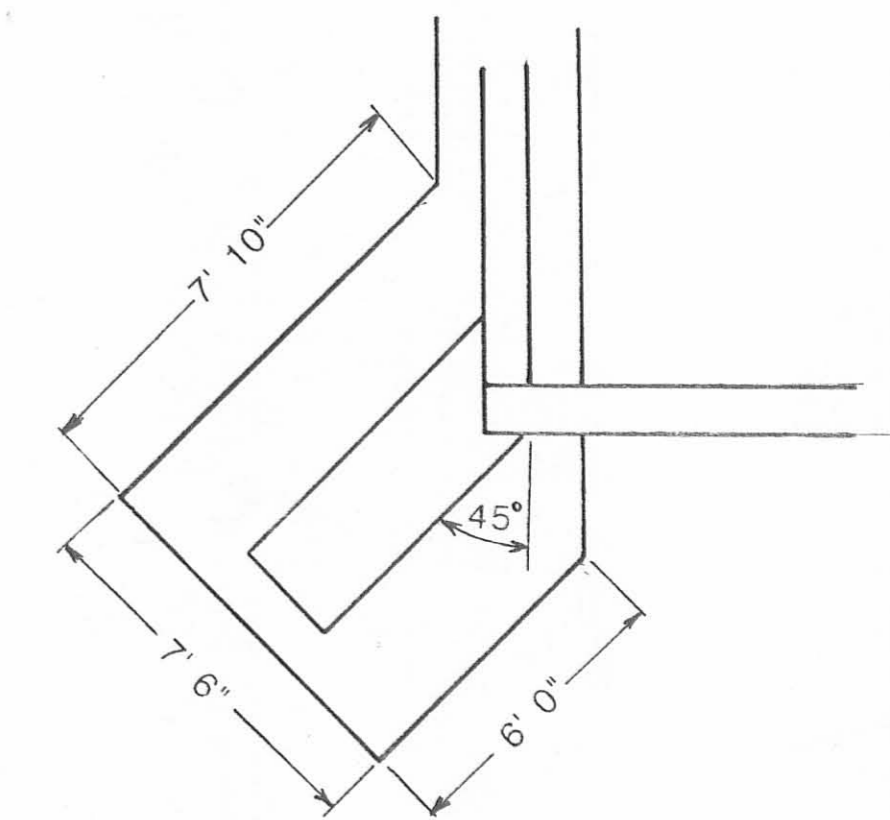
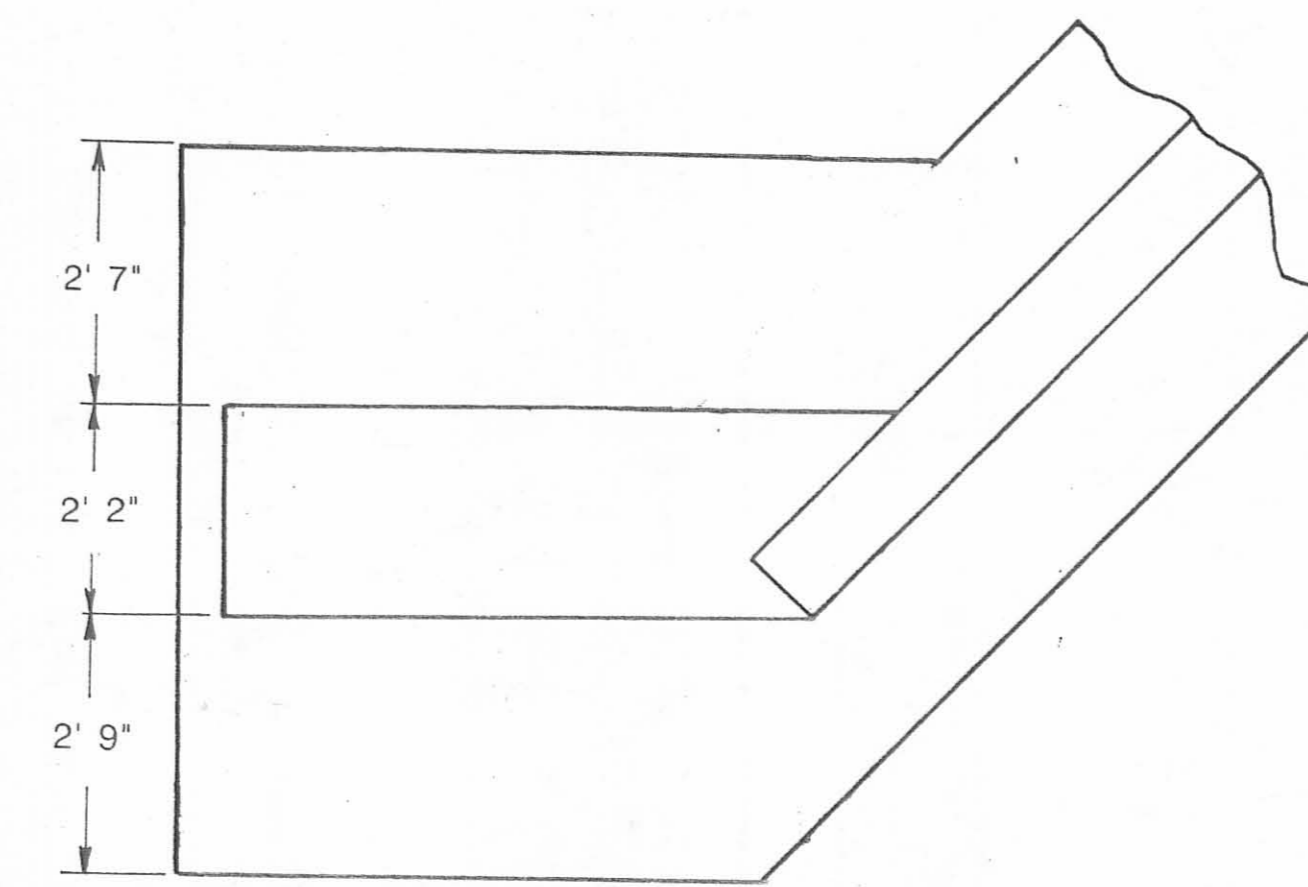
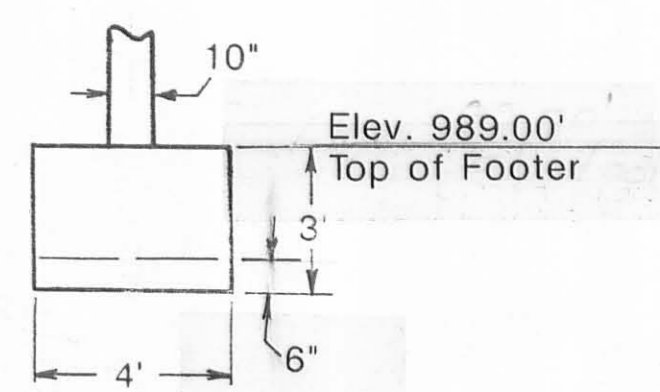
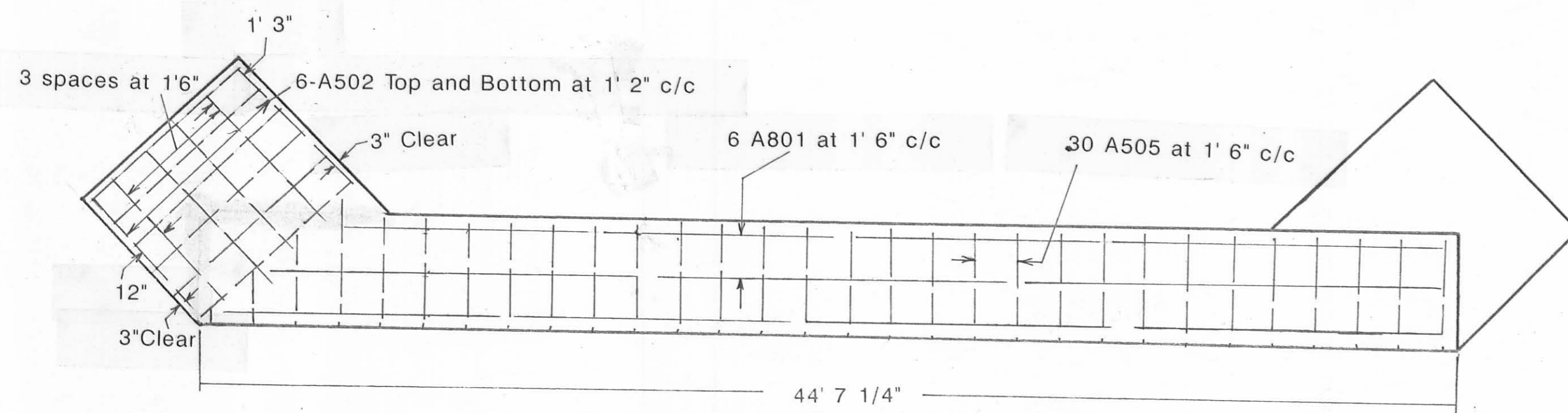
PRECAST BRIDGE FOOTER DESIGN

RETAINING WALL DESIGN

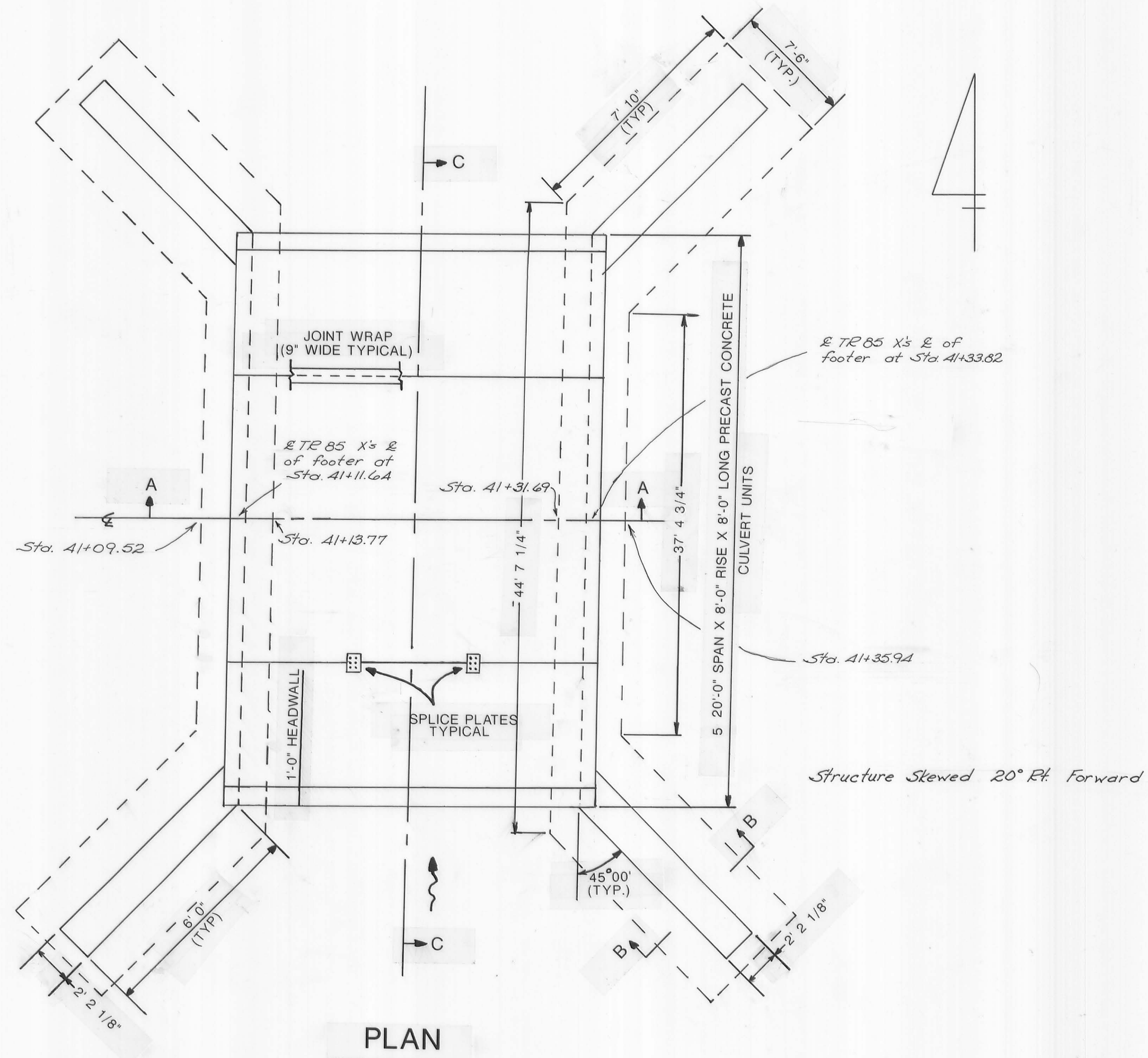
Bridge No. 85-0.77
Stokes Township
Logan Co., Ohio



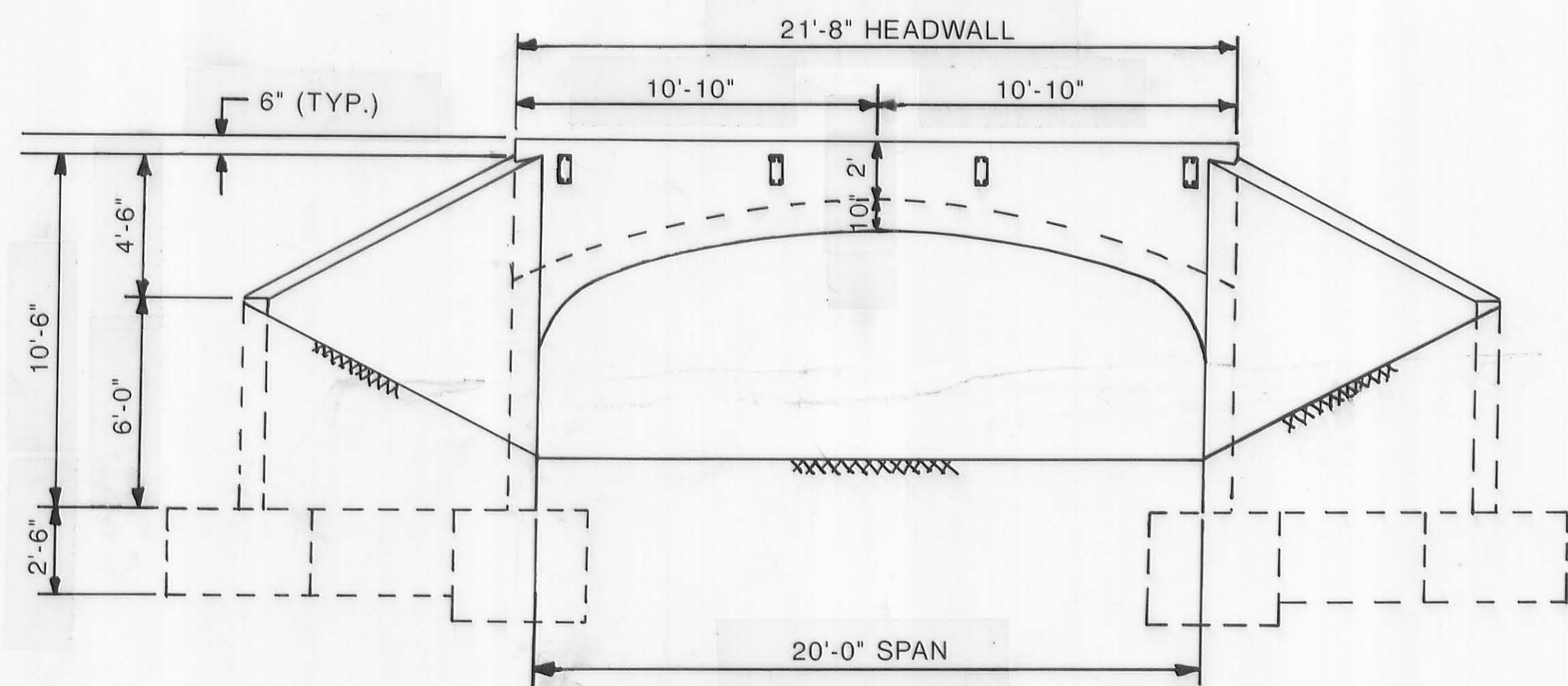
Reinforcing steel list				
MARK	No.	Length	Weight	Type
A501	48	5' 10"	292	str.
A502	48	7' 0"	351	str.
A503	32	7'-4"-9'-4"	278	series
A504	48	5' 6"	275	str.
A505	60	3' 6"	210	str.
A506	8	2' 6"	20	str.
A601	16	7' 5"	180	bent
A801	12	23' 4"	748	str.
TOTAL			2174	



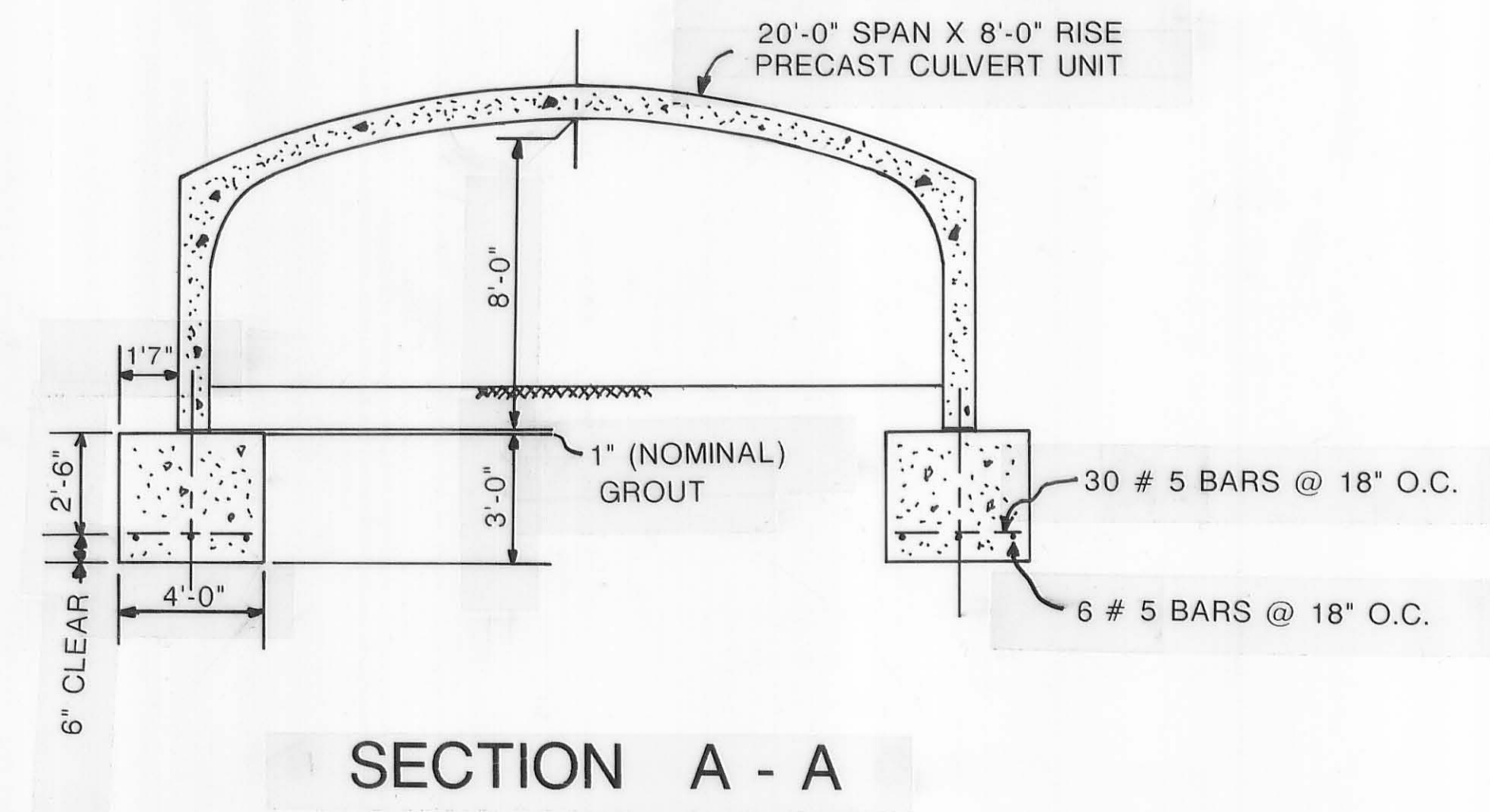
BRIDGE 85-0.77



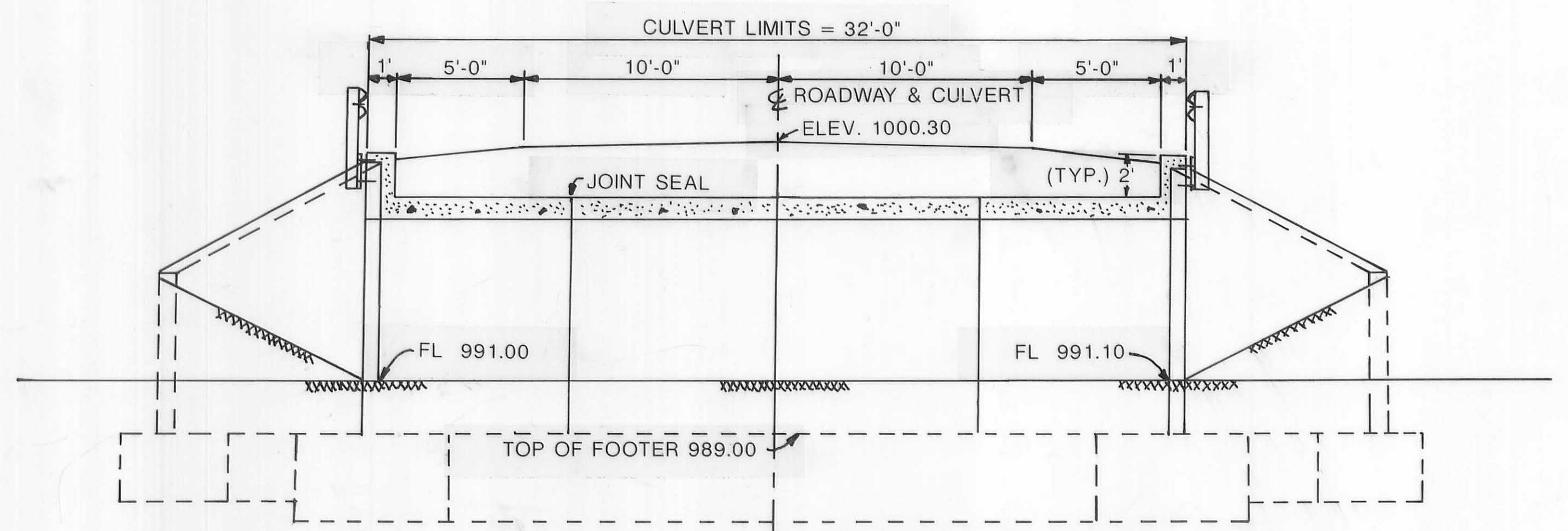
PLAN



END



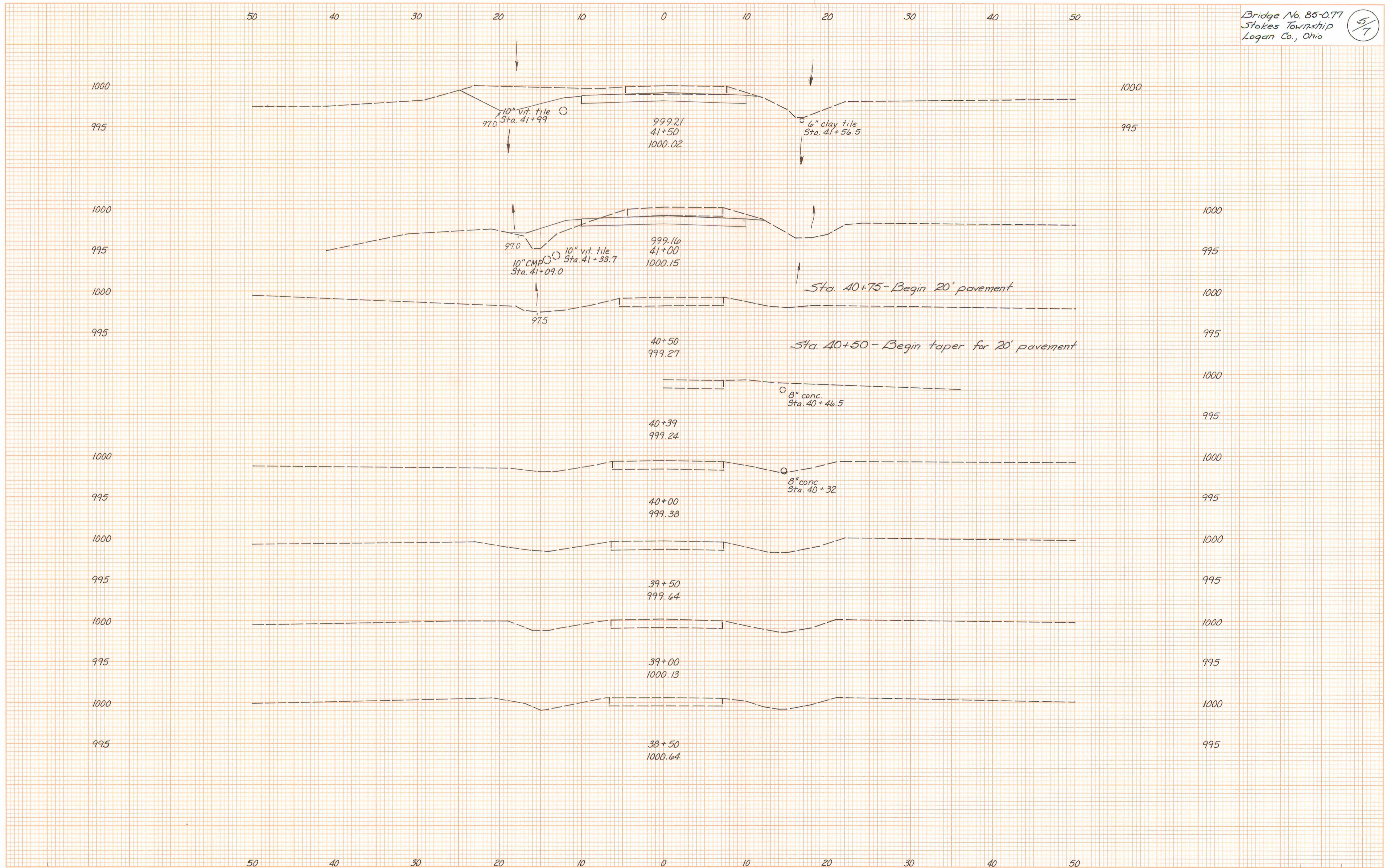
SECTION A - A



SECTION C - C

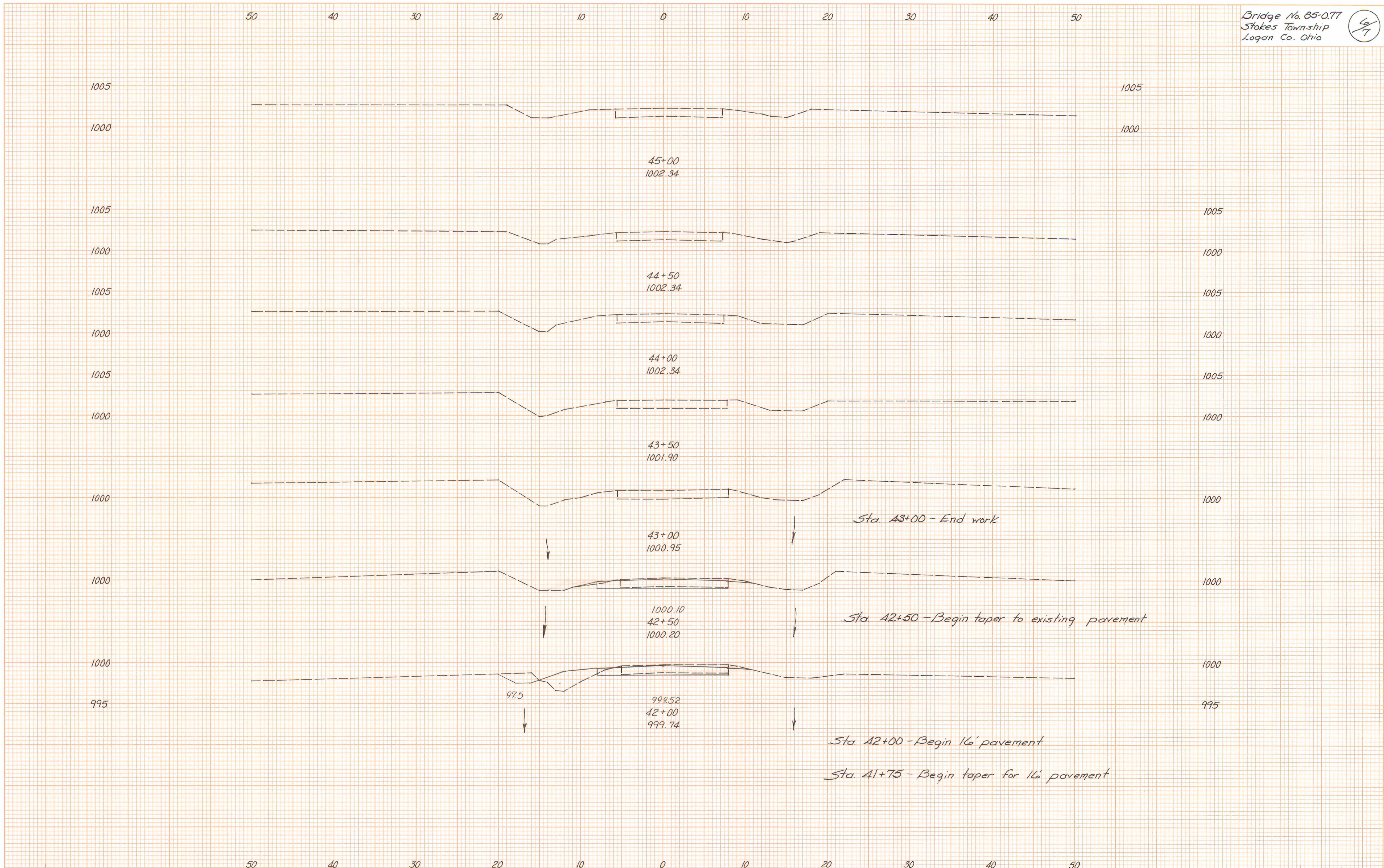
DATE	
BY	
FINAL SURVEY	
CHECKED	
NOTED	
AREAS CHECKED	

DATE	
BY	
ORIGINAL SURVEY	
CHECKED	
NOTED	
AREAS CHECKED	



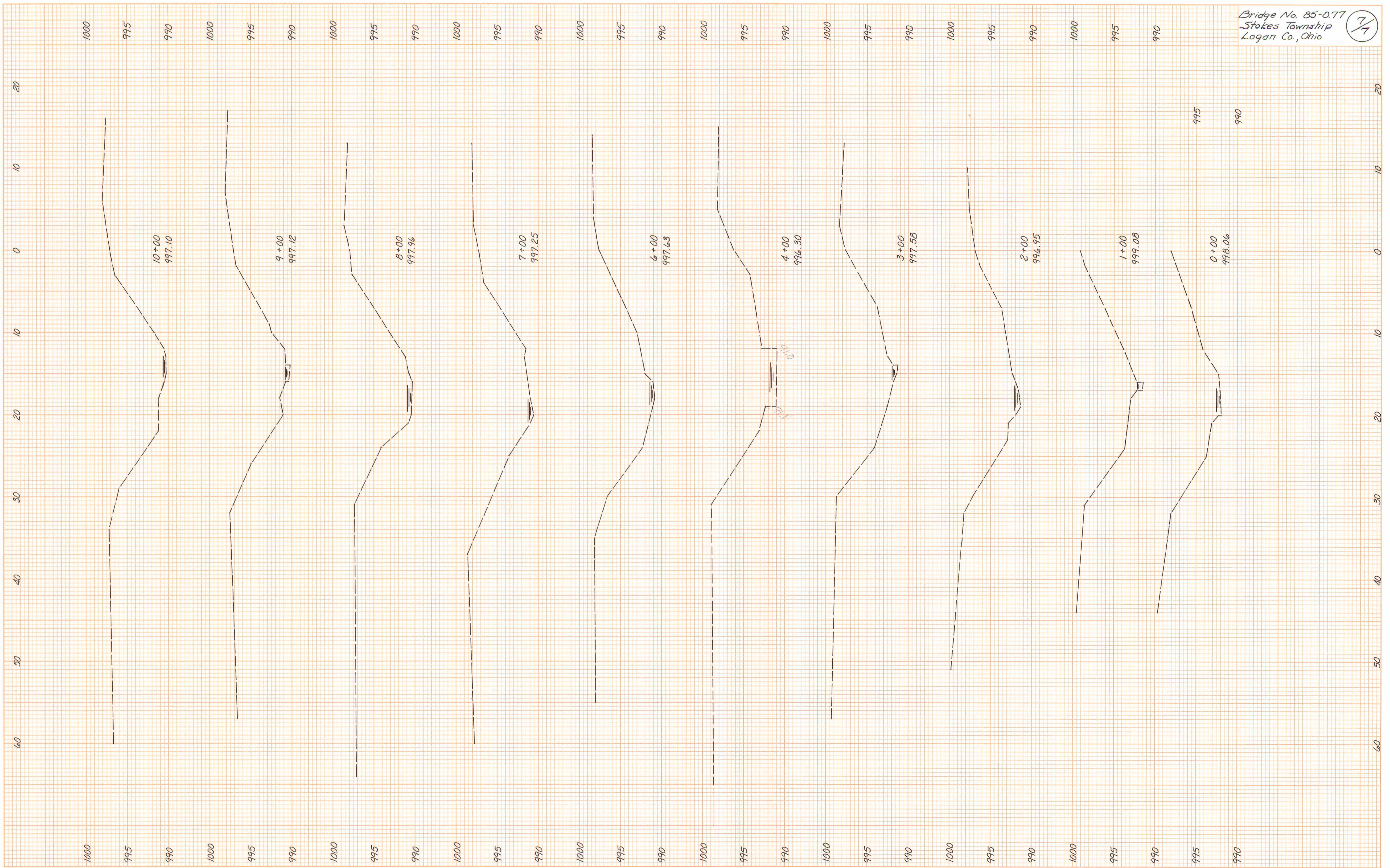
DATE	
BY	
ORIGINAL SURVEY	
REVISIONS	
NO.	
DATE	
BY	
ORIGINAL SURVEY	
REVISIONS	
NO.	

DATE	
BY	
ORIGINAL SURVEY	
REVISIONS	
NO.	
DATE	
BY	
ORIGINAL SURVEY	
REVISIONS	
NO.	



Bridge No. 85-0.77
 Stokes Township
 Logan Co., Ohio

7/7



FINAL SURVEY	SURVEYED	DATE
NOTE BOOK	PLOTTED	
NO.	DATE	
	AREAS CHECKED	

ORIGINAL SURVEY	SURVEYED	DATE
NOTE BOOK	PLOTTED	
NO.	DATE	
	AREAS CHECKED	

CHANNEL X-SECTIONS
 Bridge No. 85-0.77