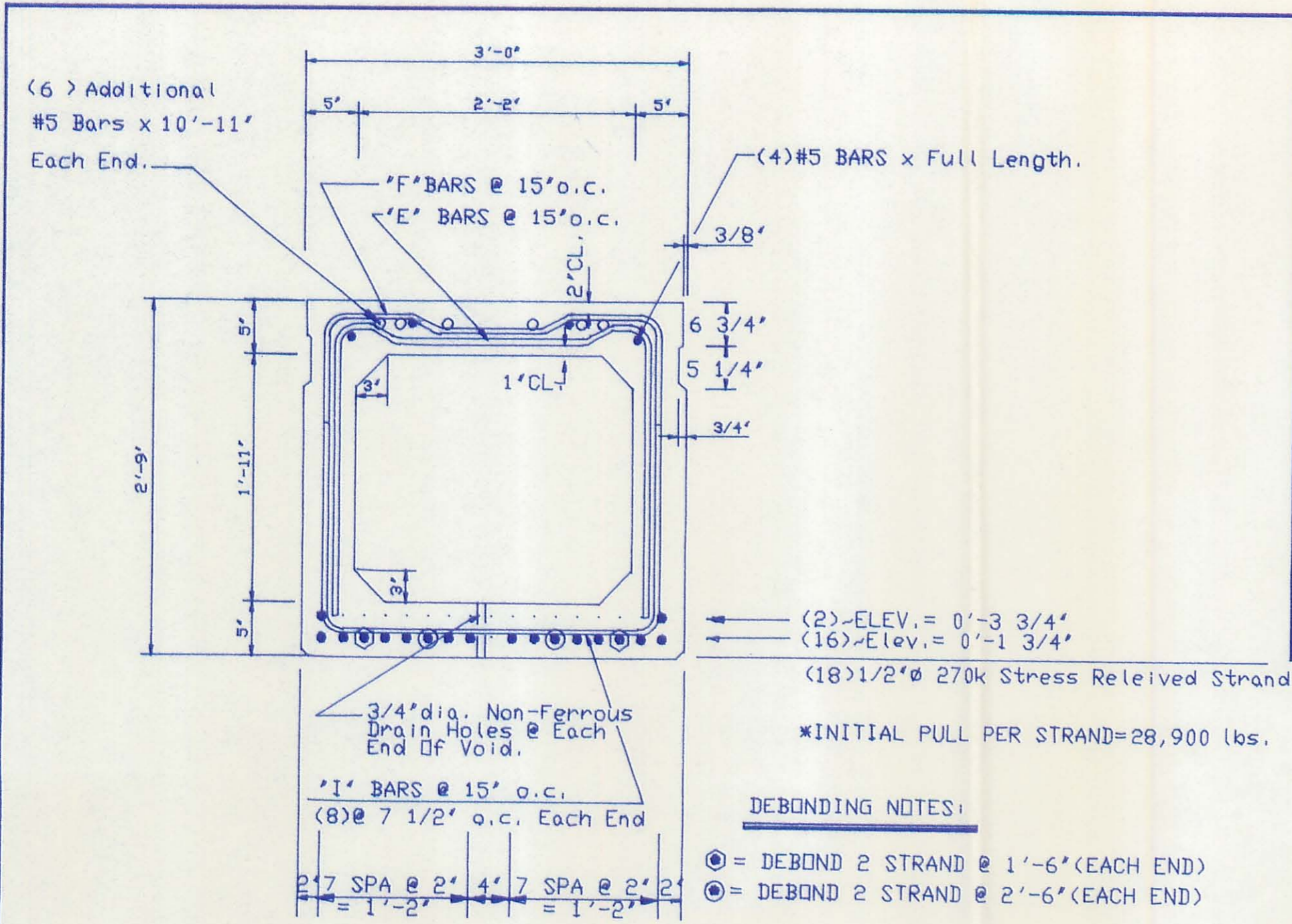
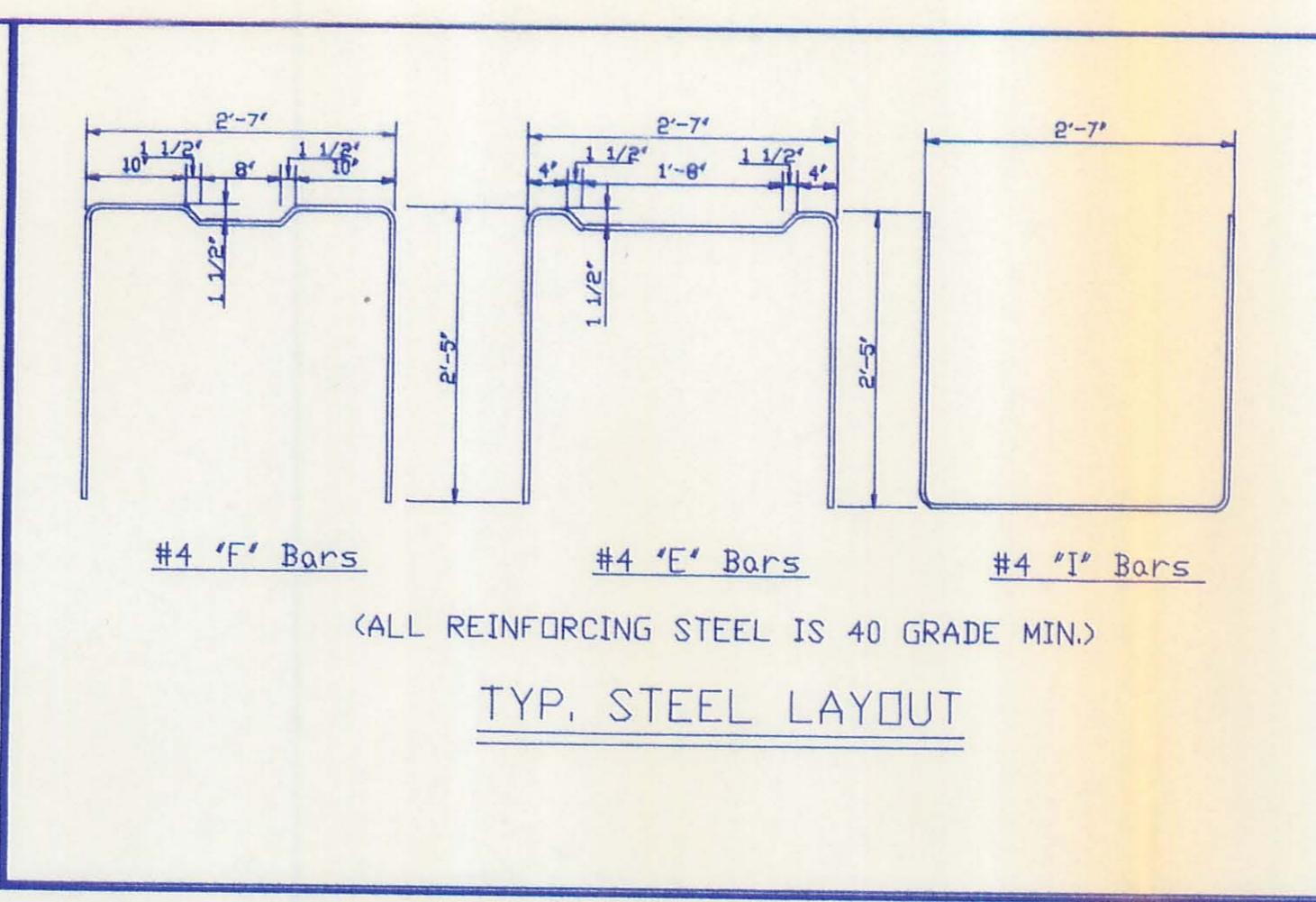


Approved
COX
9-18-92

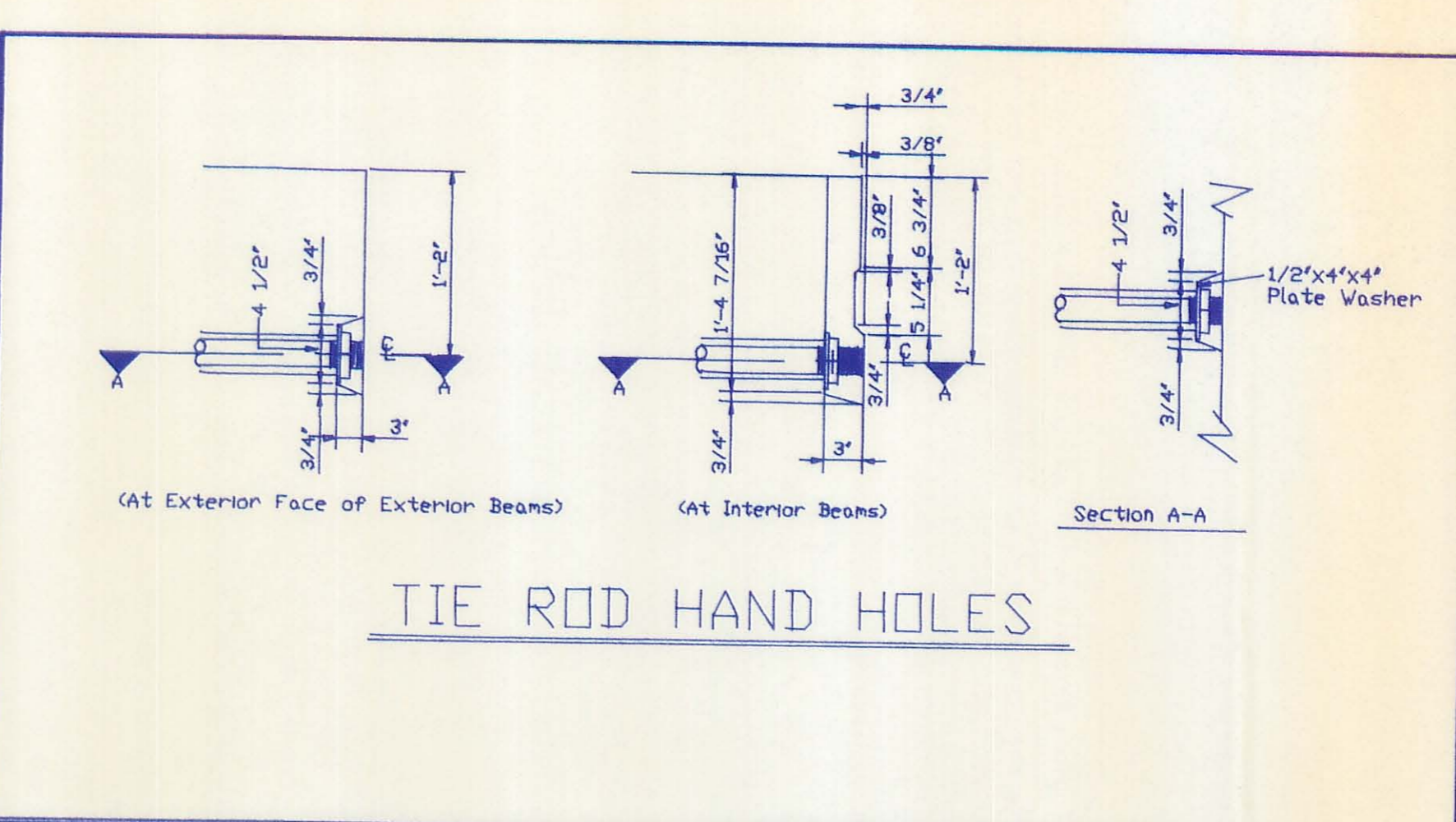
REVISIONS				Proj: LOGAN COUNTY	
NO.	Description	Date	By	Br. No:	LOG-C.R.96-04.19
				County, State:	LOGAN COUNTY, OHIO.
				Location:	OVER BRANCH OF SOUTH FORK MIAMI RIVER
				Contractor:	LOGAN COUNTY FORCES
				Date:	9-10-92
				Drawn By:	M.A.T.
				Checked By:	WBA/MAT
				P.C.#	9433 & 9333
				Job No.	3184
				Drawing No.	1 of 3



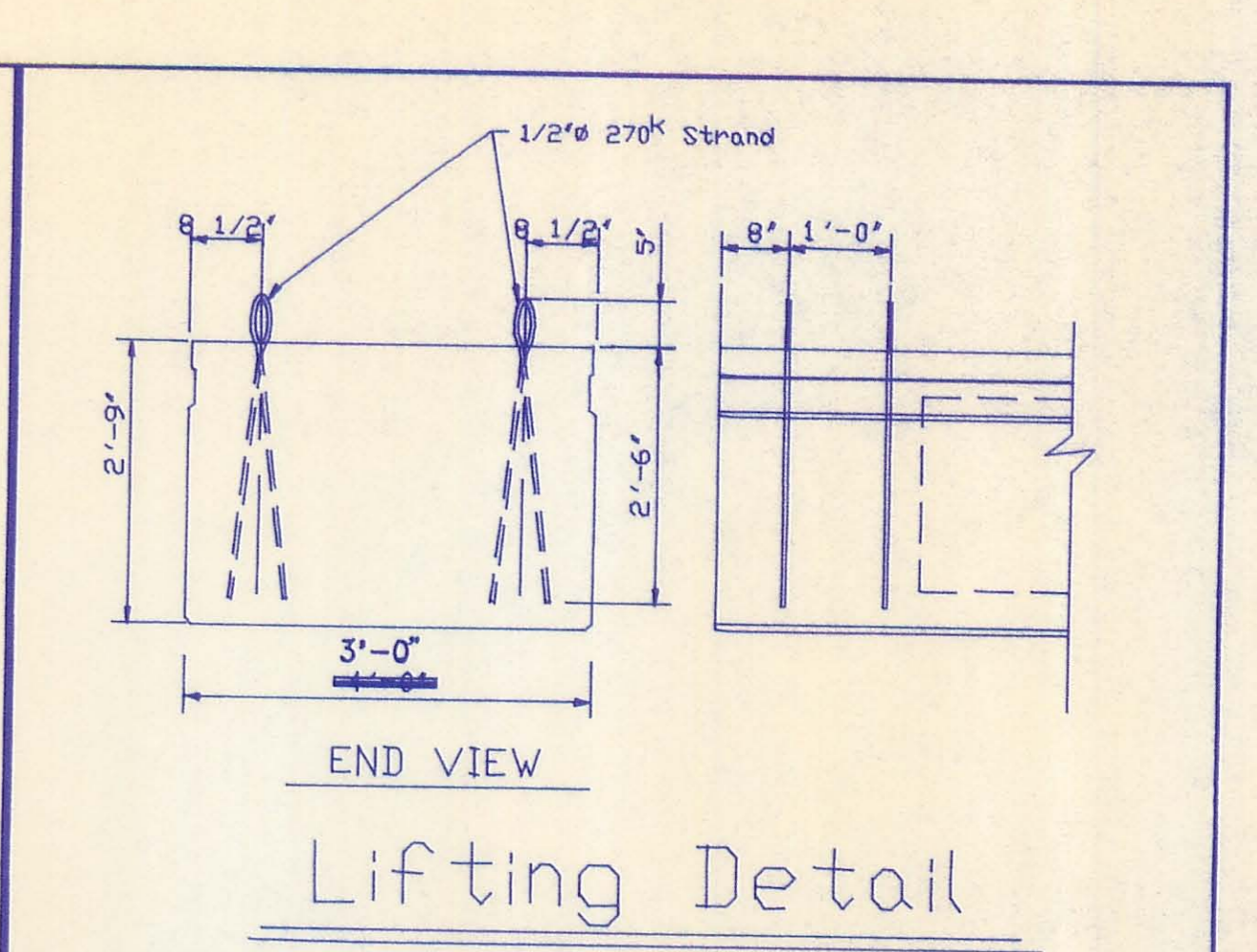
Typ. Cross Section.



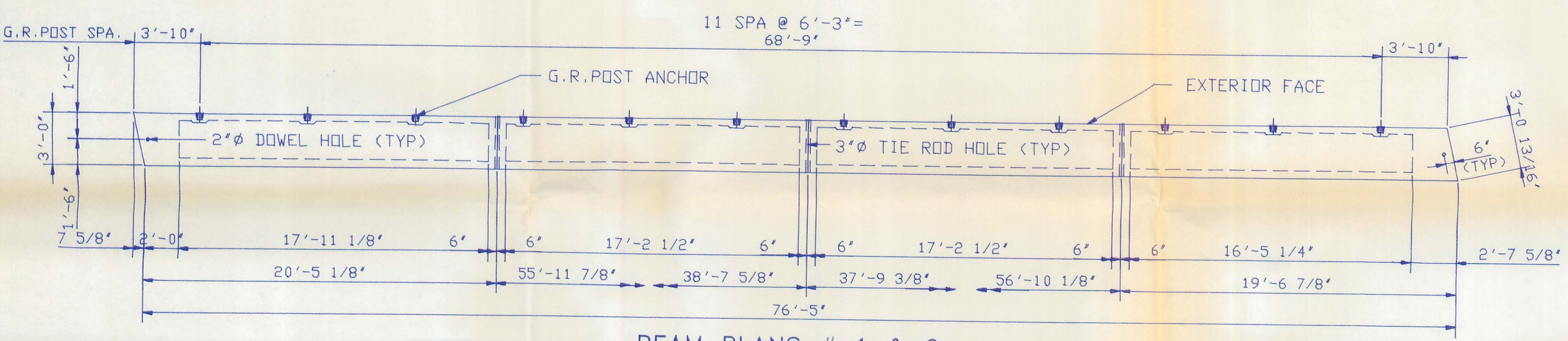
TYP. STEEL LAYOUT



TIE ROD HAND HOLES

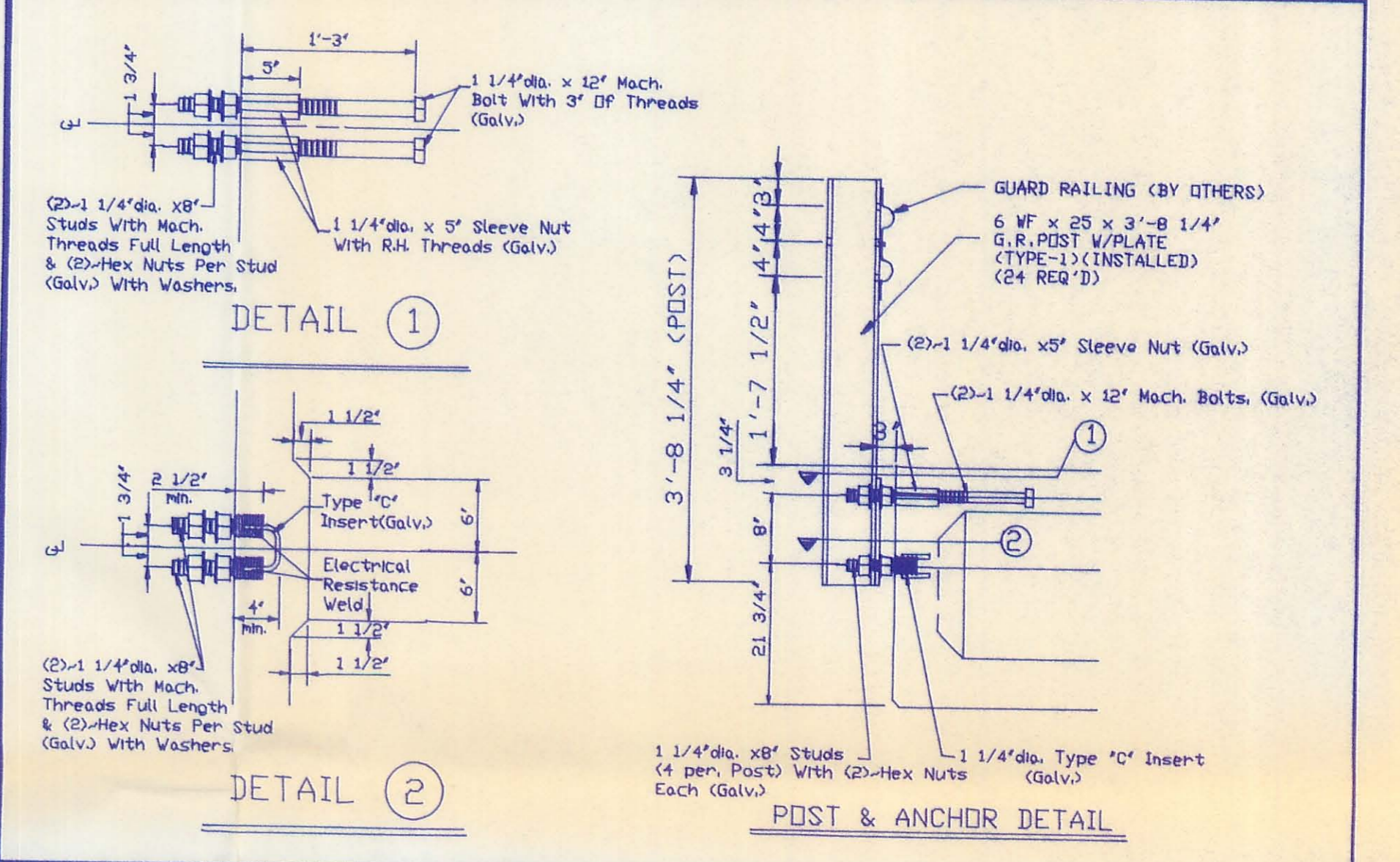


Lifting Detail



BEAM PLANS # 1 & 9.

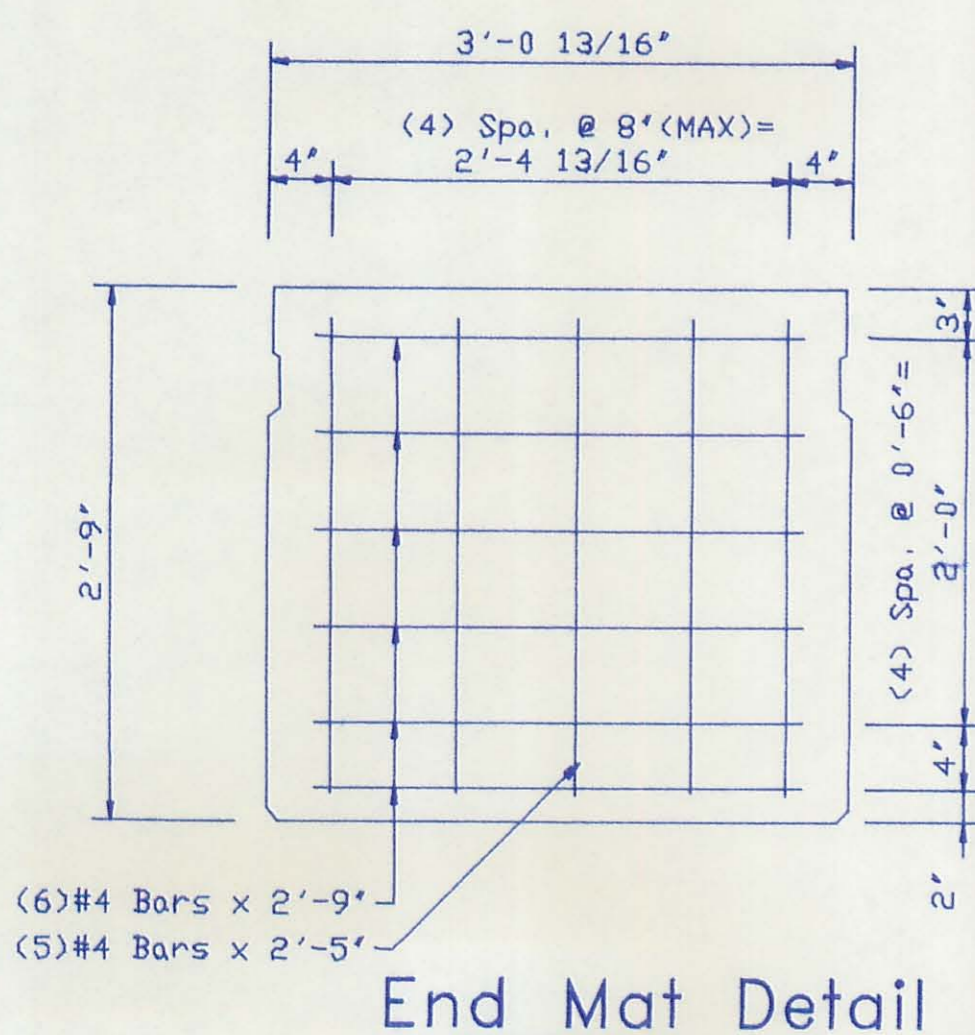
(CASTING WEIGHT = 53,485 LBS.) (SHIPPING WEIGHT = 55,010 LBS.)



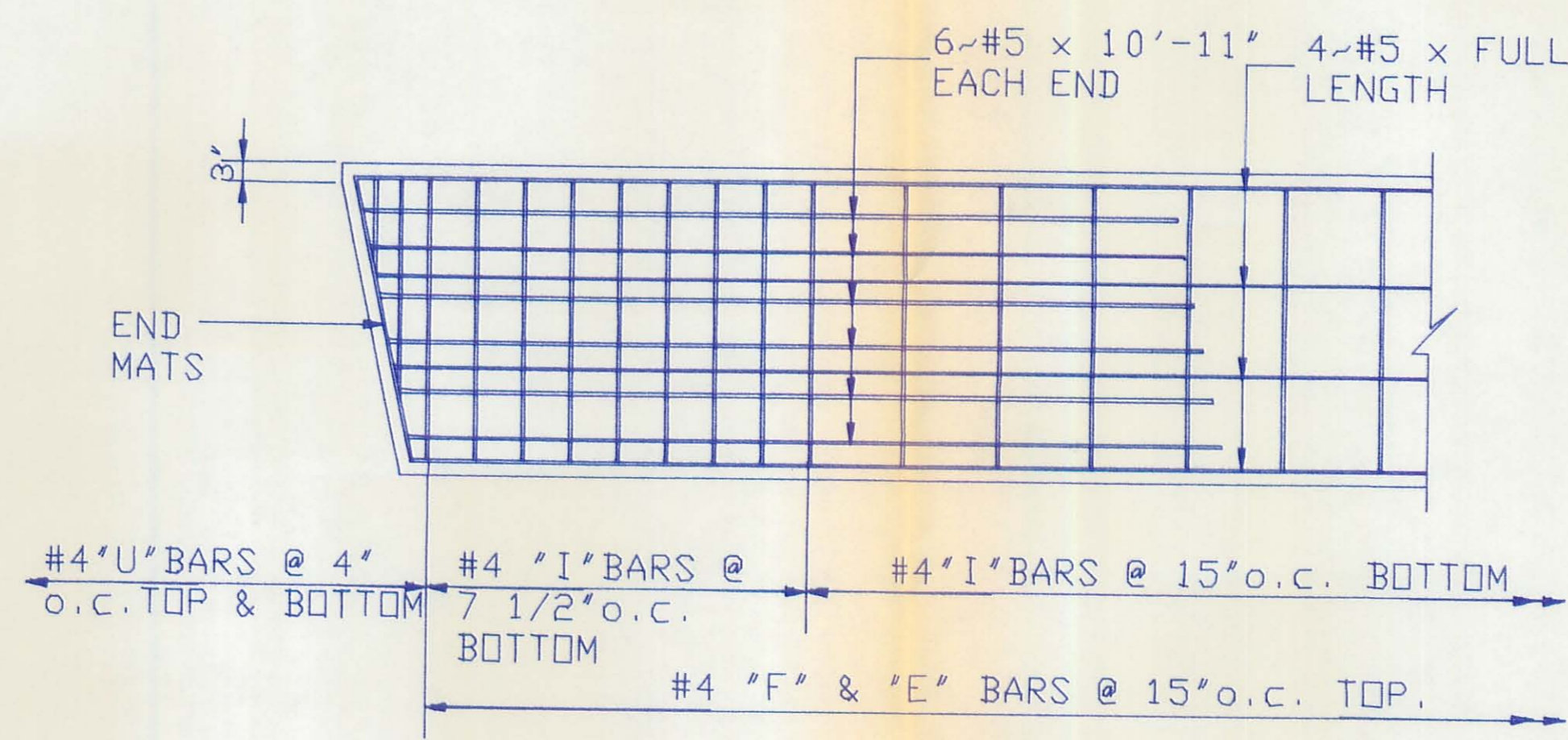
DETAIL 1

DETAIL 2

POST & ANCHOR DETAIL



End Mat Detail



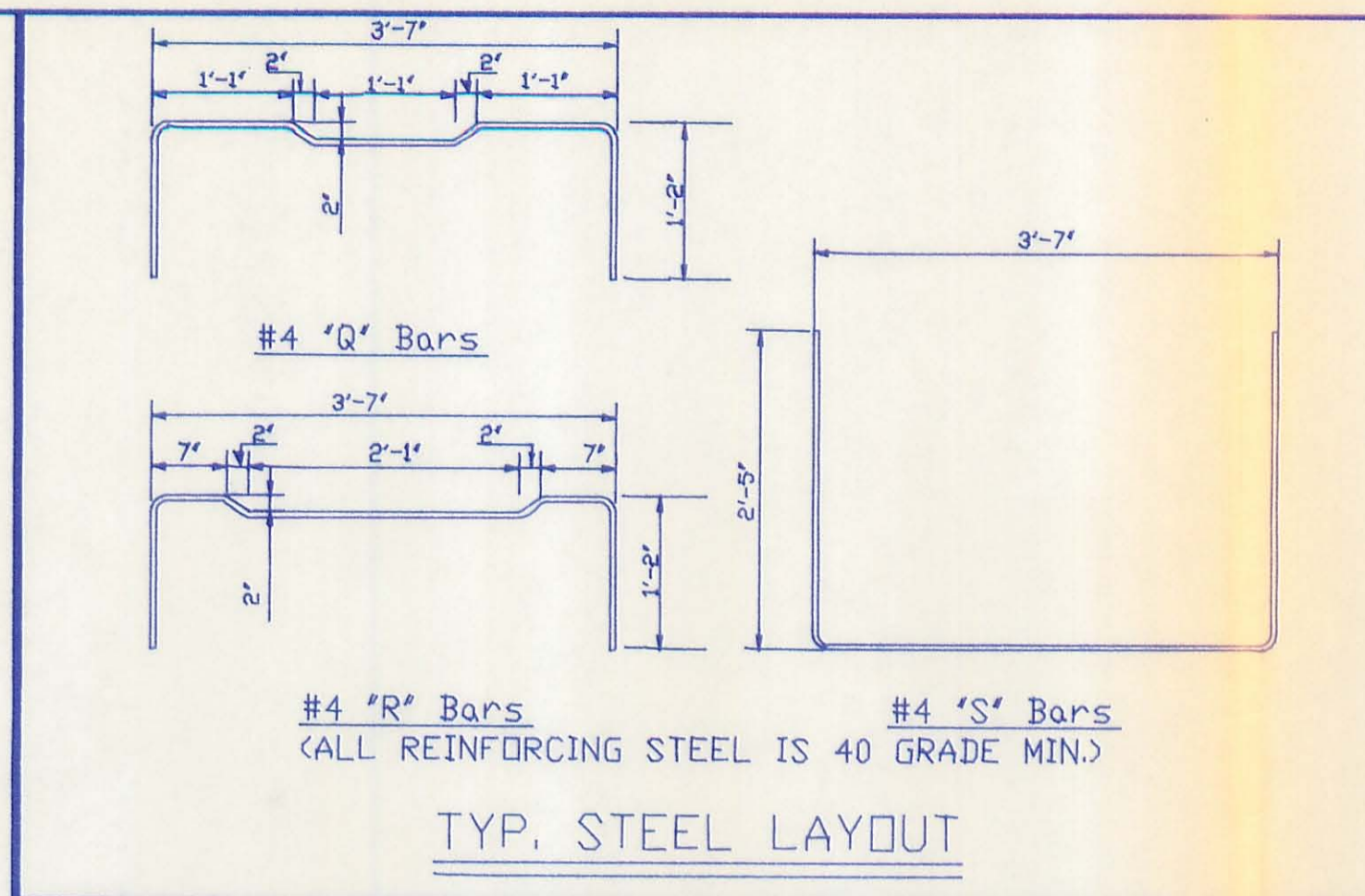
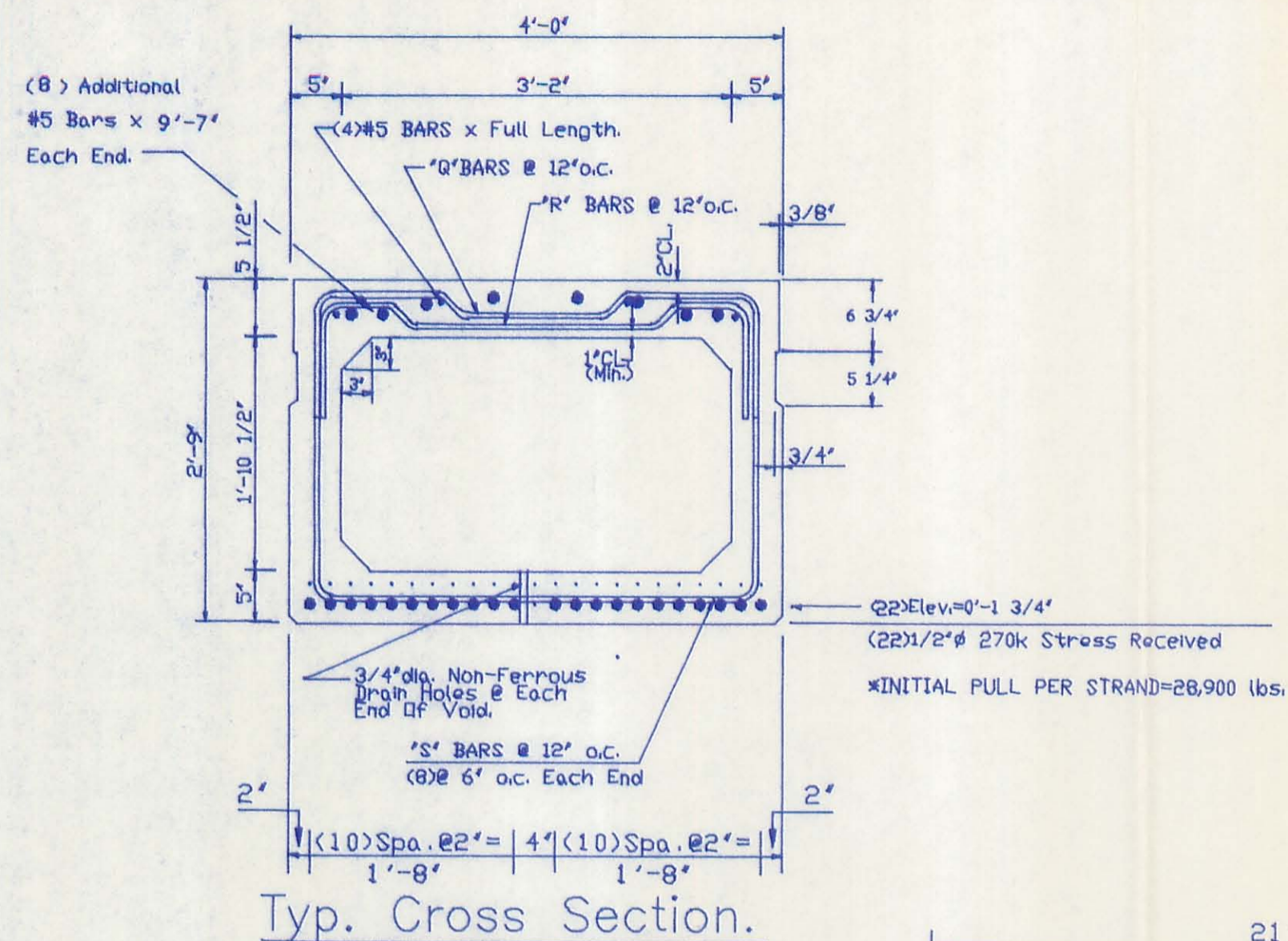
BEAM END REINFORCING DETAIL

- NOTES:
1. CONCRETE STRENGTH AT TIME OF PRESTRESSING IS 4000 P.S.I. AND AT 28 DAYS IS 5500 P.S.I.
 2. DETENSION STRAND SYMMETRICALLY ABOUT CENTER LINE.
 3. LOADING= HS-20-44 & ALTERNATE MILITARY.
 4. BEAM WEIGHT=SEE BEAM PLANS.
 5. TOP SURFACE OF BEAMS GIVEN A FLAT FLOAT FINISH.
 6. ANTICIPATED CAMBER AS SHOWN ON PROJECT PLANS= 1 1/2".
 7. SANDBLAST ALL KEYWAYS.
 8. WATERPROOF BEAM ENDS
 9. Omit Keyway From Exterior Face of Exterior Beams.

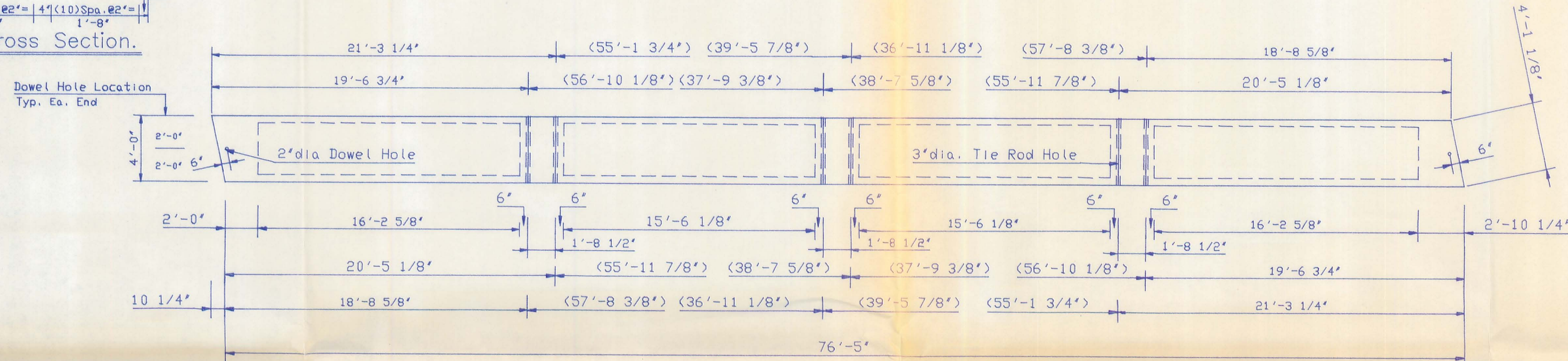
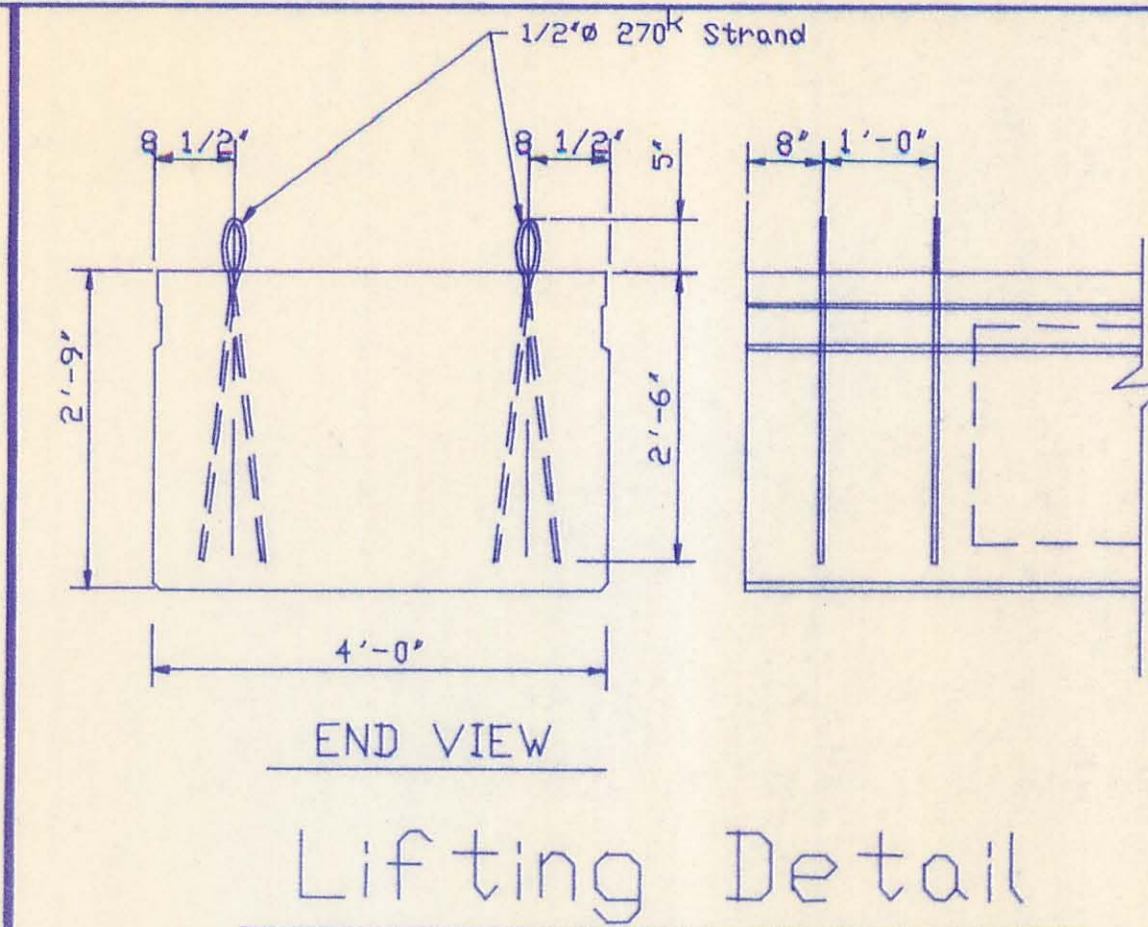
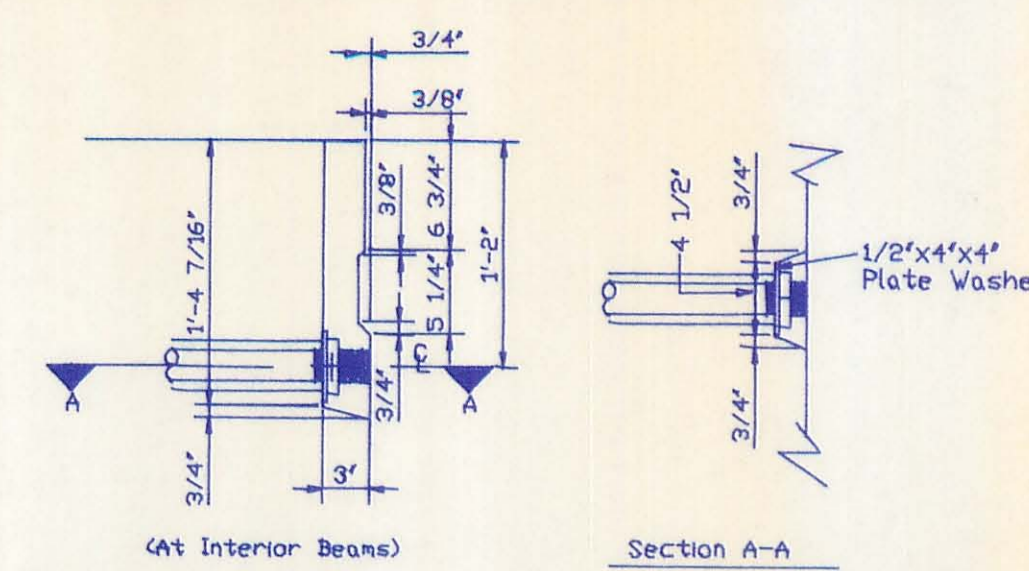
CHANGES ARE NOTED AS DIFFERENT FROM O.D.O.T. STD. DWG. P.S.B.D.-1-81 AND ARE VARIED PER. NOTE ON DWG. P.S.B.D.-1-81 SHT 2 of 4.

1. 6' 6" KEYWAY TO 6 3/4" / 5 1/4" KEYWAY.

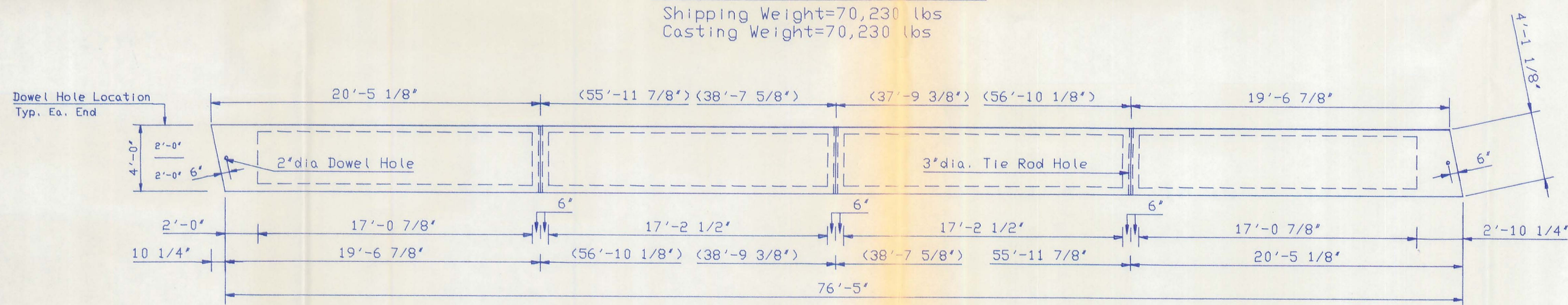
REVISIONS				Project: LOGAN COUNTY	
NO.	Description	Date	By	Br. No: LOG-C.R.96-04.19	
				County, State: LOGAN COUNTY, OHIO.	
				Location: OVER BRANCH OF SOUTH FORK MIAMI RIVER	
				Contractor: LOGAN COUNTY FORCES	
				Date: 9-10-92	PRESTRESS SERVICES Inc.
				Drawn By: M.A.T.	P.O.Box 111 R.R.#8 Winchester Rd. Decatur, Indiana 46733
				Checked By: WBA/MAT	Job No.
				P.C.# 9433 & 9333	Drawing No.
					3184 2 of 3



TIE ROD HAND HOLES



Shipping Weight=70,230 lbs
Casting Weight=70,230 lbs

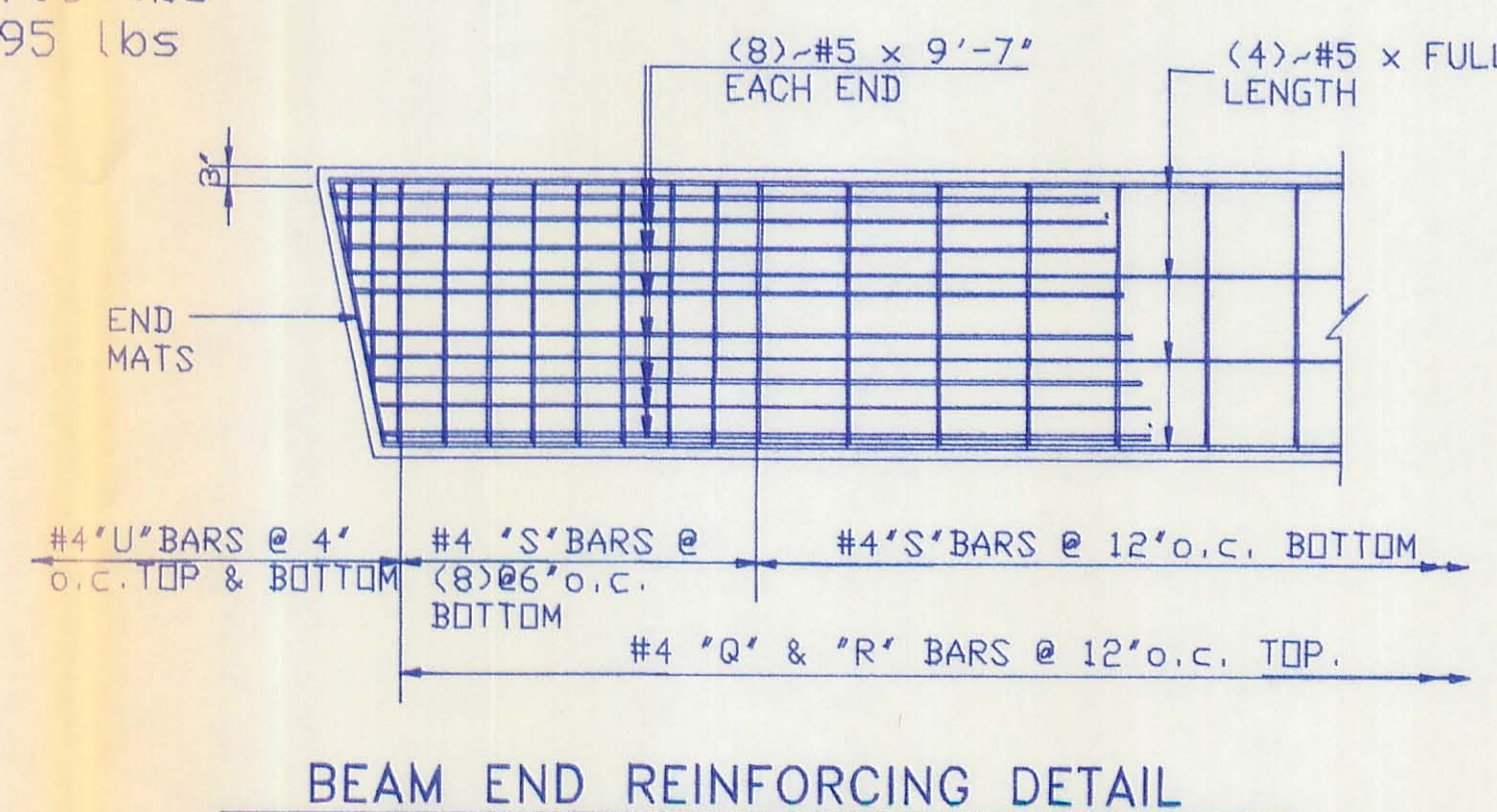
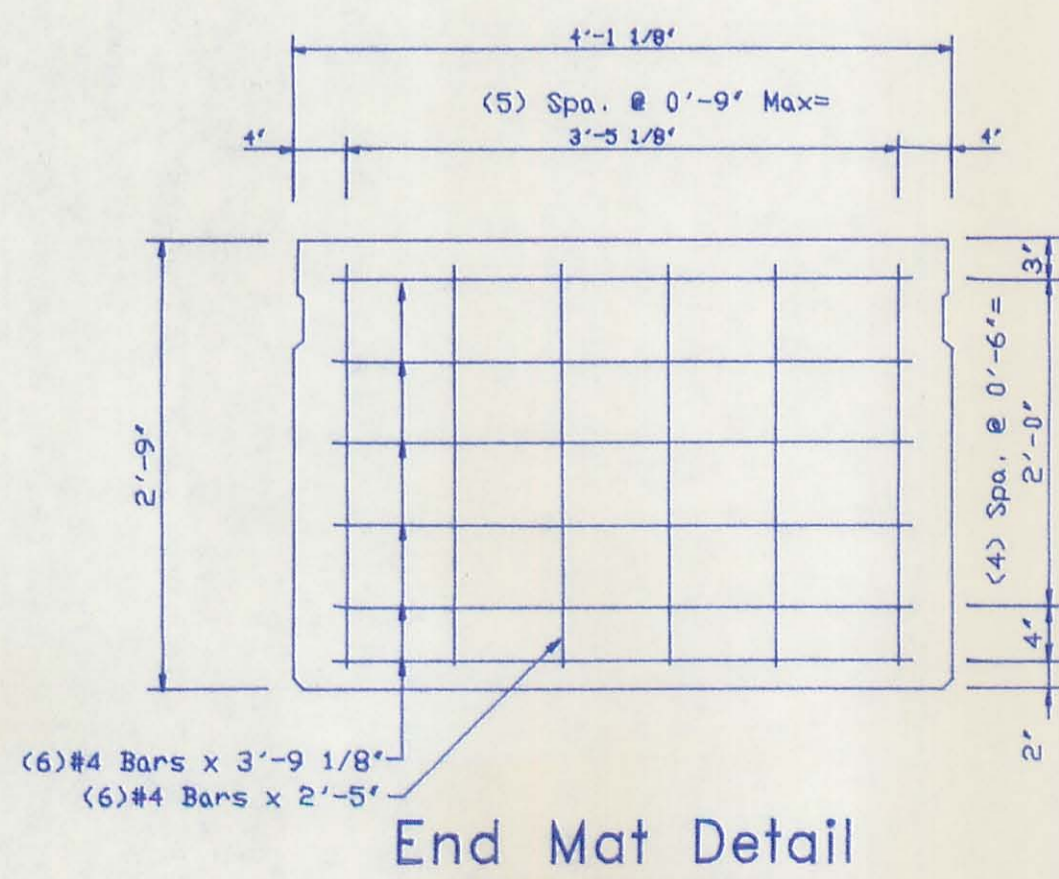


Shipping Weight=65,795 lbs
Casting Weight=65,795 lbs

- NOTES:
1. CONCRETE STRENGTH AT TIME OF PRESTRESSING IS 4000 P.S.I. AND AT 28 DAYS IS 5500 P.S.I.
 2. DETENSION STRAND SYMMETRICALLY ABOUT CENTER LINE.
 3. LOADING= HS-20-44 & ALTERNATE MILITARY.
 4. BEAM WEIGHT=SEE BEAM PLANS.
 5. TOP SURFACE OF BEAMS GIVEN A FLAT FLOAT FINISH.
 6. ANTICIPATED CAMBER AS SHOWN ON PROJECT PLANS= 1 1/2".
 7. SANDBLAST ALL KEYWAYS.
 8. WATERPROOF BEAM ENDS

CHANGES ARE NOTED AS DIFFERENT FROM D.D.O.T. STD. DWG. P.S.B.D.-1-81 AND ARE VARIED PER. NOTE ON DWG. P.S.B.D.-1-81 SHT 2 of 4.

1. 6"/6" KEYWAY TO 6 3/4"/5 1/4" KEYWAY.



REVISIONS			Project: LOGAN COUNTY	
ND.	Description	Date By	Br. No.	LOG-C.R.96-04.19
			County, State:	LOGAN COUNTY, OHIO.
			Location:	OVER BRANCH OF SOUTH FORK MIAMI RIVER
			Contractor:	LOGAN COUNTY FORCES
			Date:	9-10-92
			Drawn By:	M.A.T.
			Checked By:	WBA/MAT
			P.C.#	9433
			Job No.	3184
			Drawing No.	3 of 3