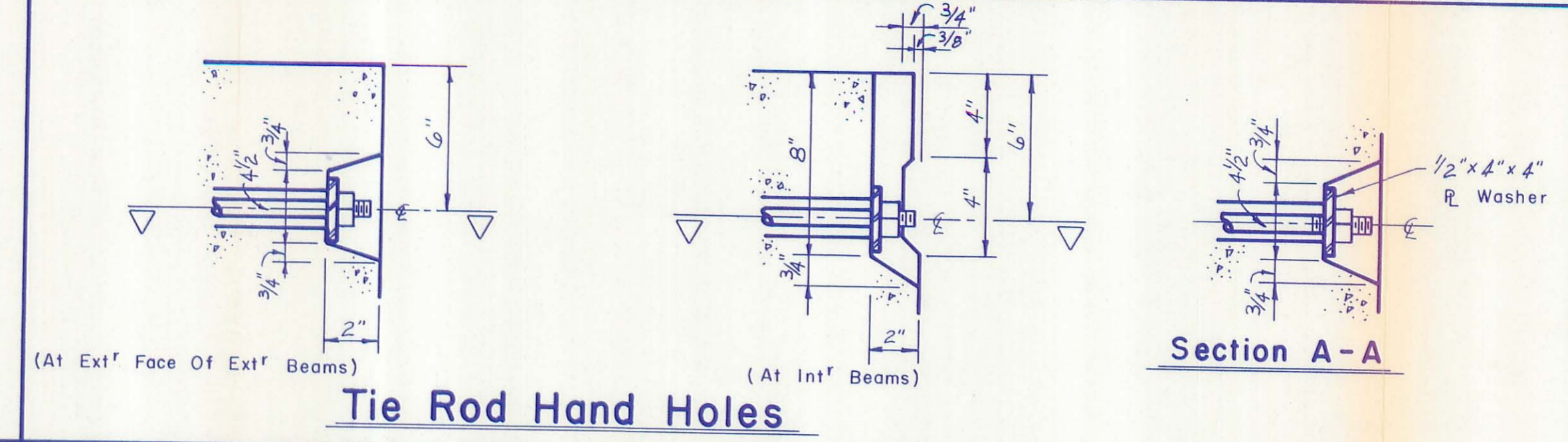
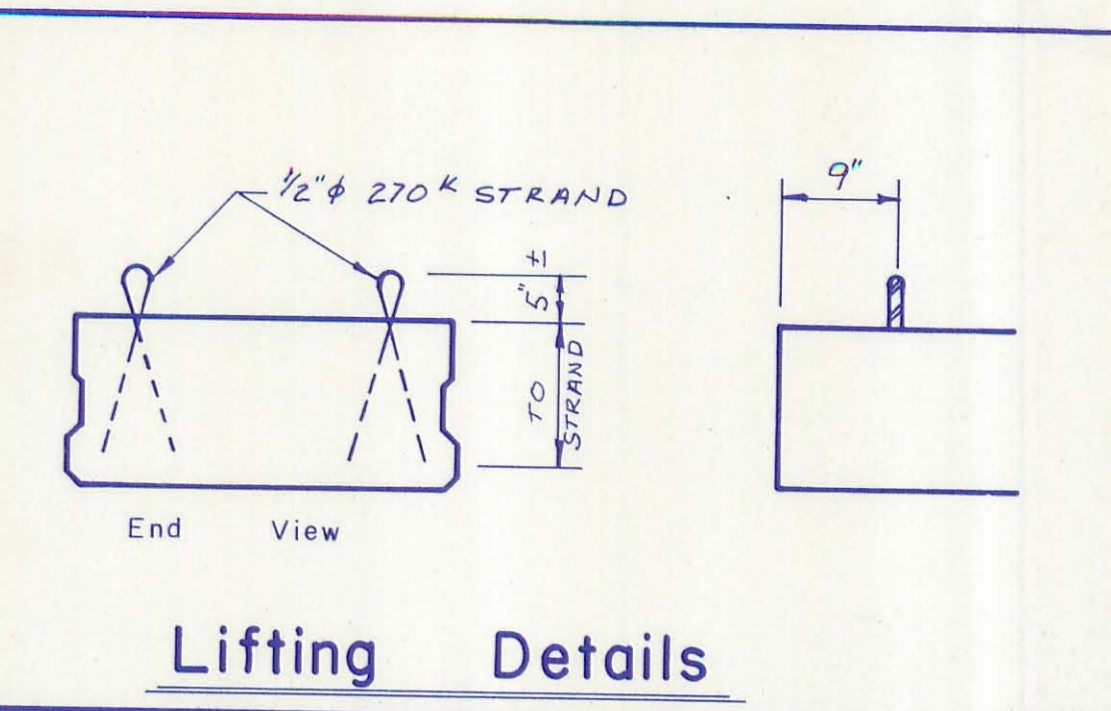


TYP. CROSS SECTION

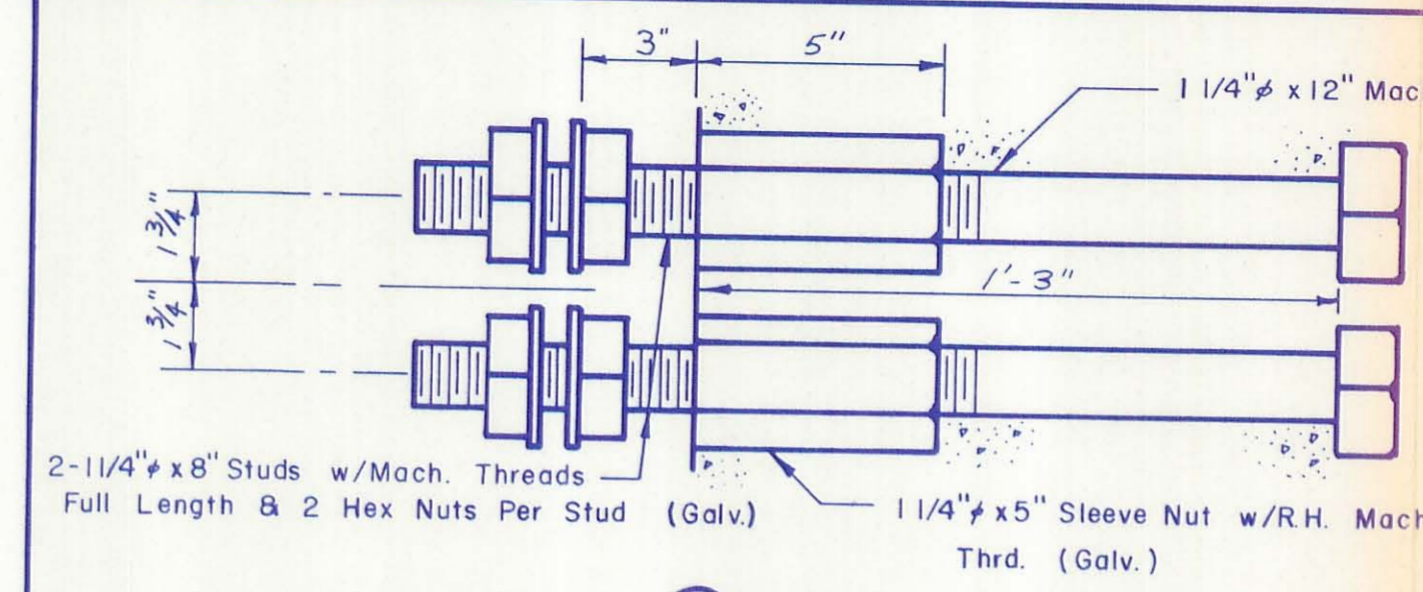
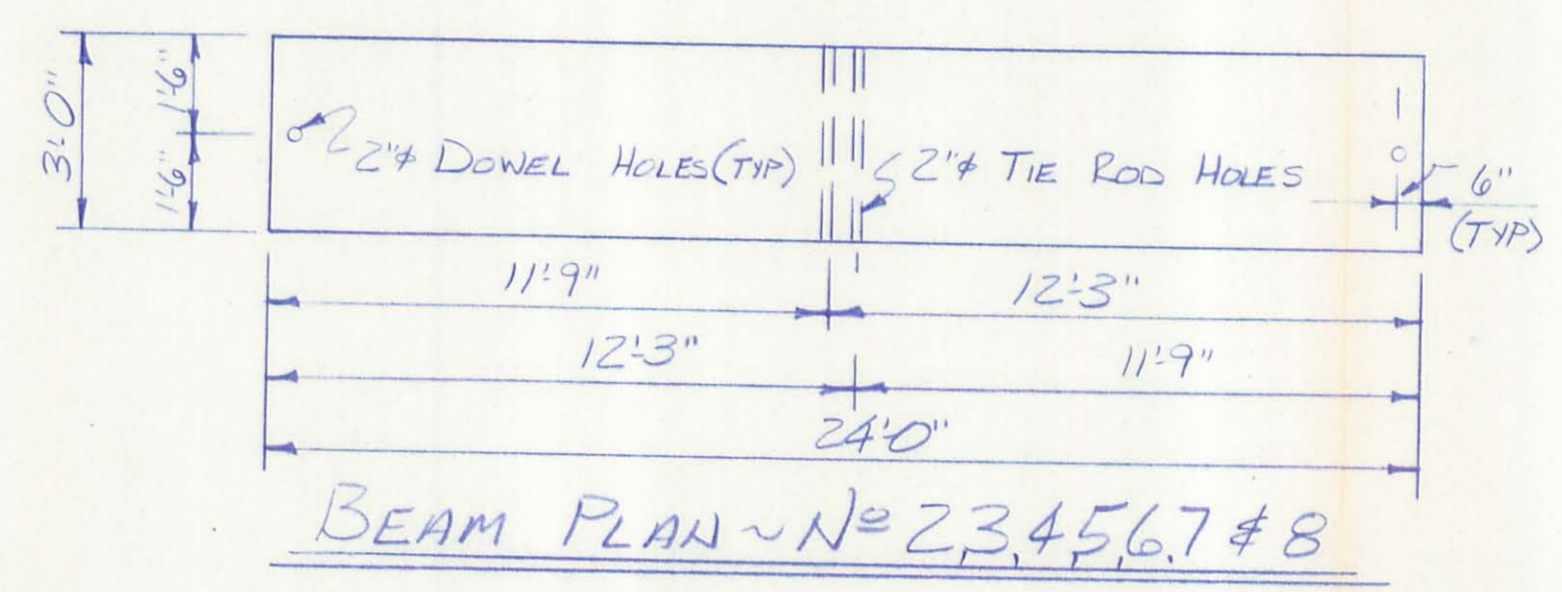
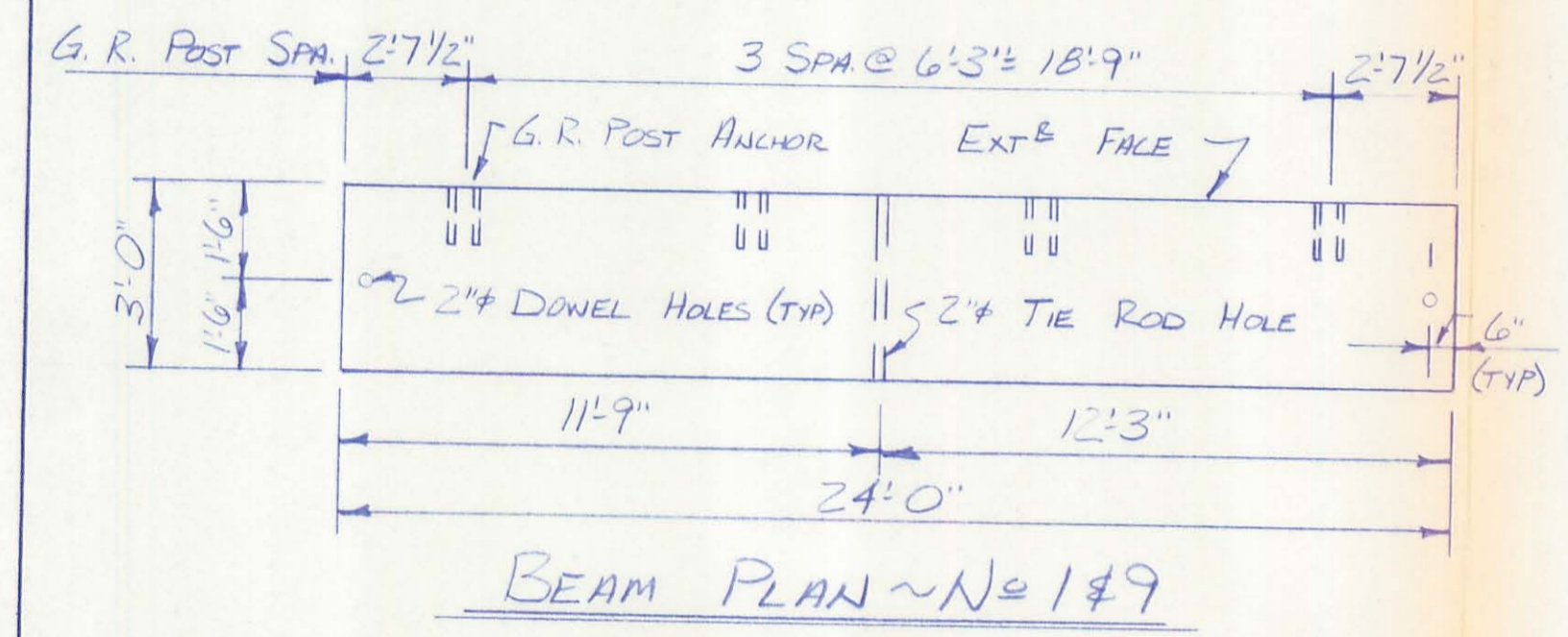
Typ. Steel Layout



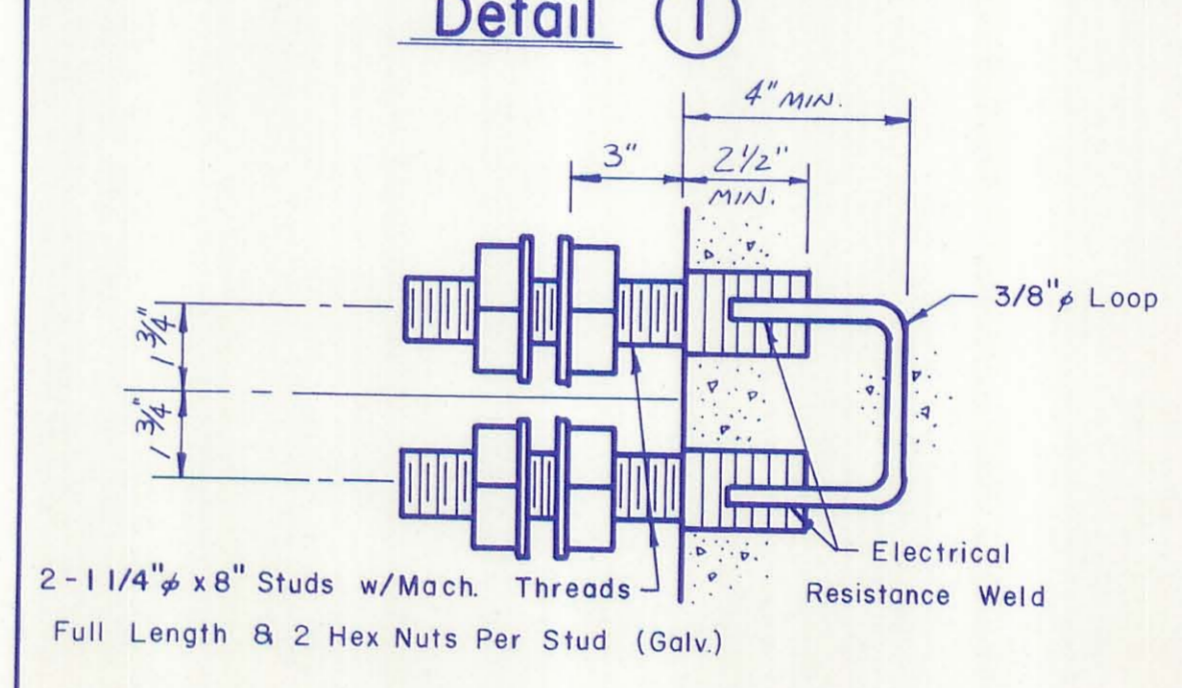
Tie Rod Hand Holes



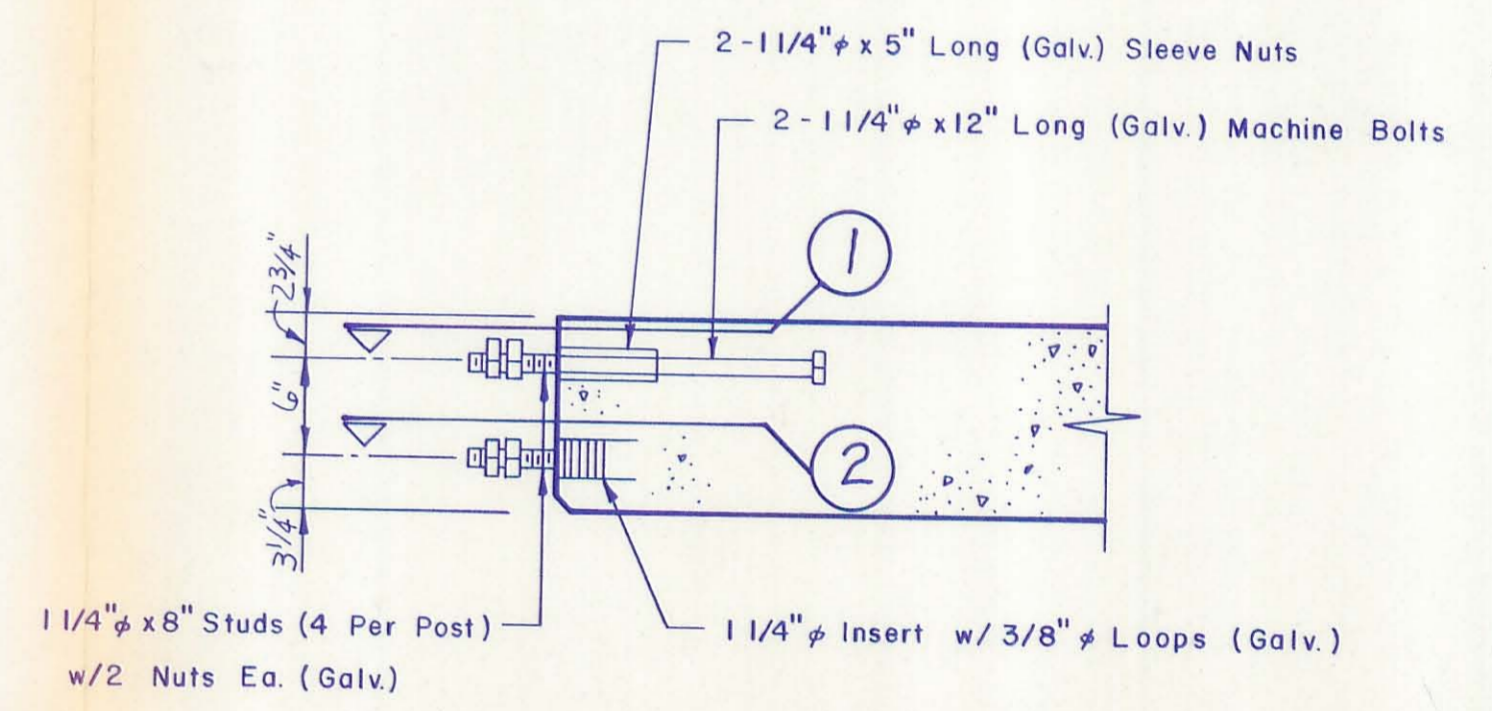
Lifting Details



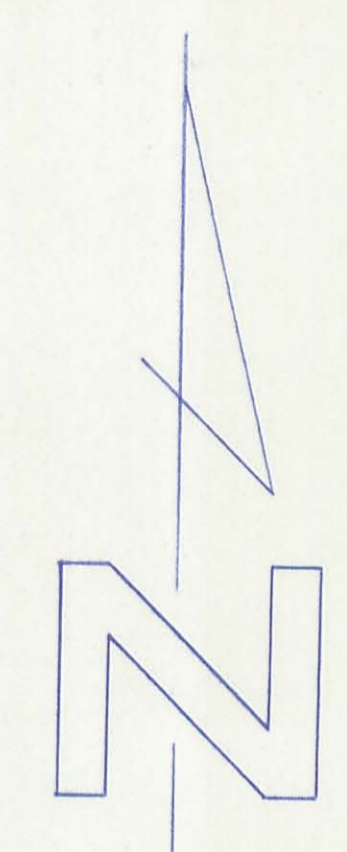
Detail 1



Detail 2



Anchor Detail

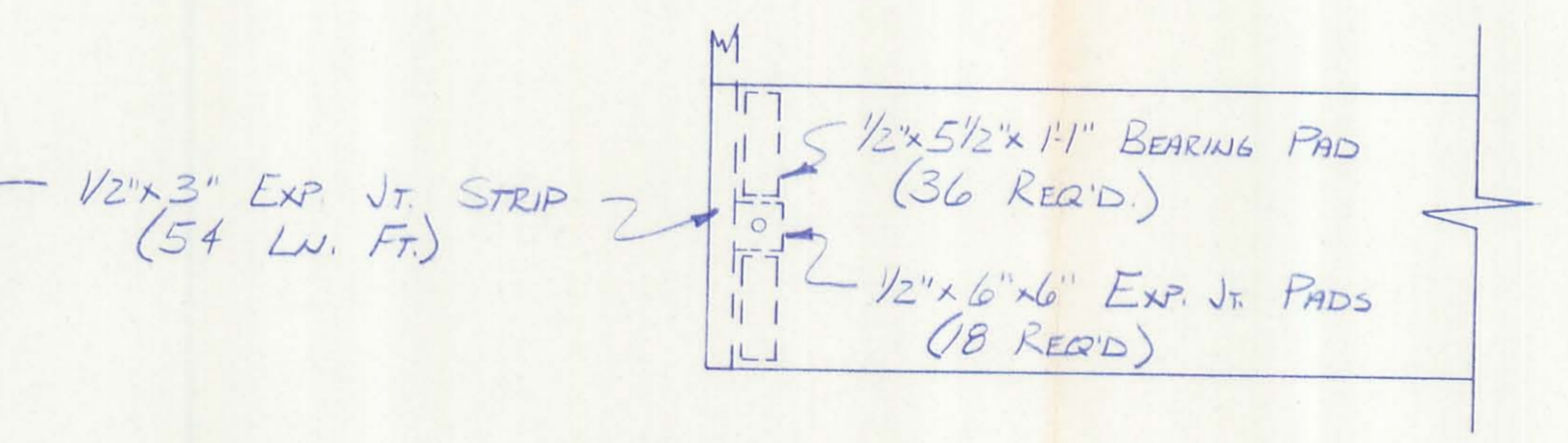


1	(24'0")	1	(10,584 lbs)
2		2	#6 x 2'0" DOWEL PINS (18 REQ'D)
3		3	
4		4	
5		5	
6		6	1" x 9'0" TIE ROD (4 REQ'D) (GALV)
7		7	
8		8	
9		9	

ABUTMENT #1

ABUTMENT #2

BEAM LAYOUT



BEARING PAD PLACEMENT

- Notes:
1. Conc. Str. At Time Of Prestressing = 4,000 PS.I. At 28 Days = 5500 PS.I.
  2. Detension Strand Symmetrically About Center Line
  3. Waterproof Beam Ends.
  4. Omit Keyway on Ext' Face Of Ext' Beams.
  5. Loading = HS-20-44
  6. Beam Weight = 10,584 lbs.
  7. Top Surface Of Beams Given A FLAT FLOAT FINISH.

- Change Notes:
- Changes Are Noted As Different From O.D.O.T. Std. Dwg. P.S.B.D.-I-81 & Are Varied Per Note On Dwg. P.S.B.D.-I-81 Sht. 2 of 4.
1. 3" Keyway To 4" Keyway
  2. 3" Tie Rod Hole To 2" Tie Rod Hole.

PC. 9174

Br. No. 91-6.11		Logan Co., Oh.	
Contractor - Co. Forces			
SCALE	NONE	PRESTRESS SERVICES, INC	
DATE	5-30-85	eratur indiana	
DRAWN BY	B.A.	JOB NO.	DRAWING NO.
CHECKED BY	JR.H.	0584	1 of 1