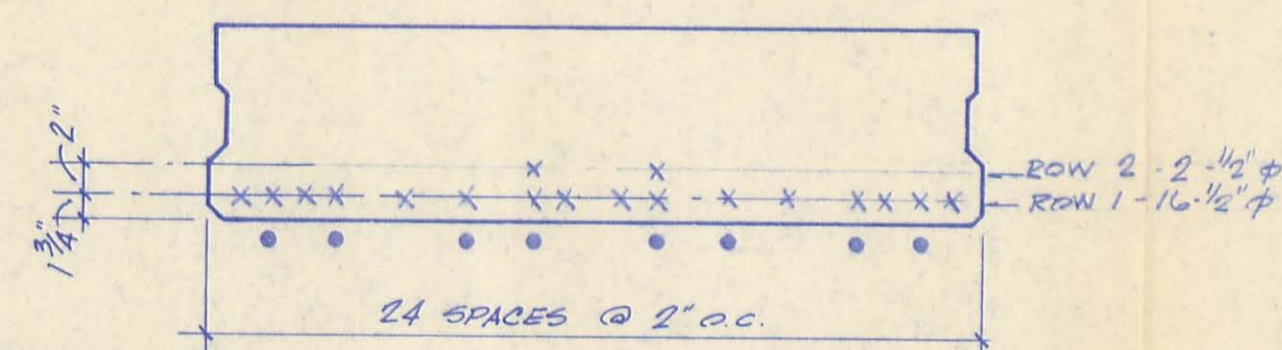
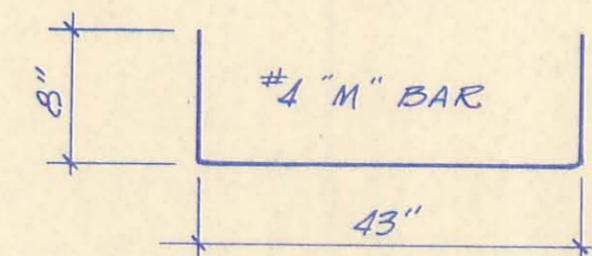


TYP. CROSS SECTION

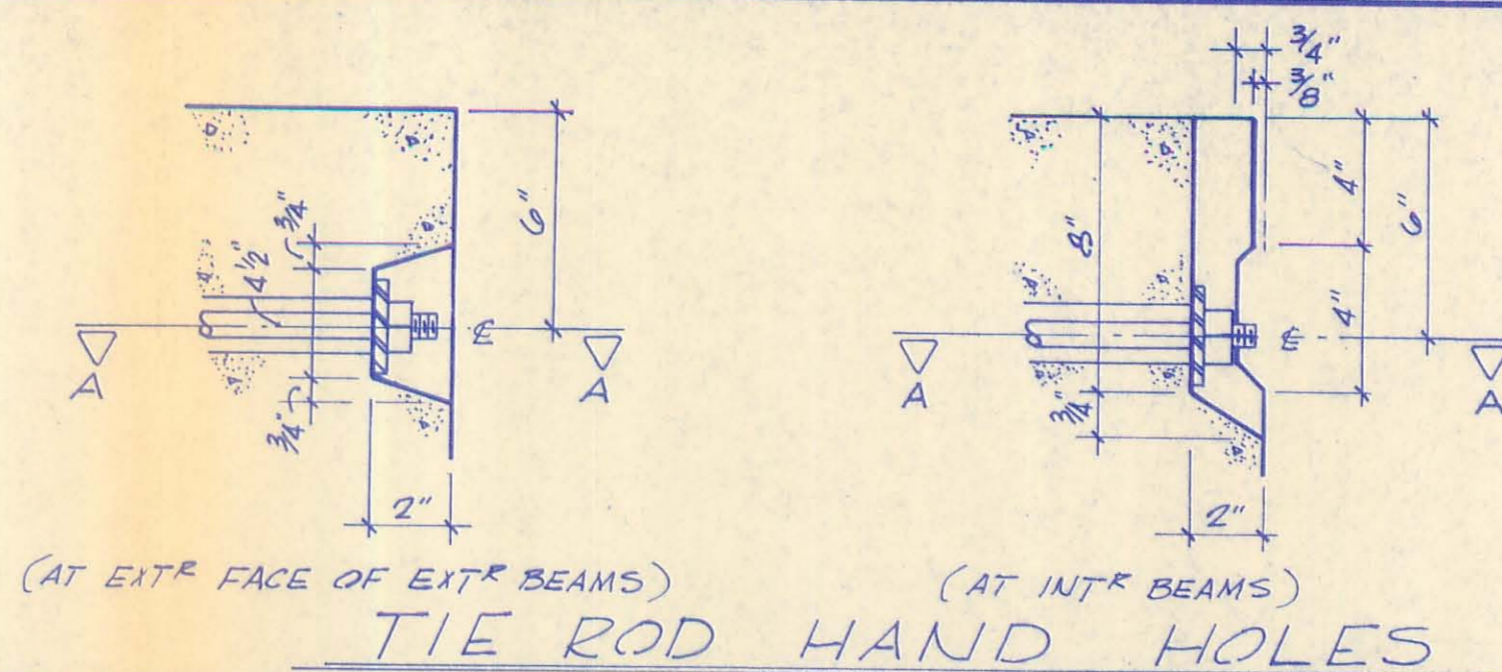


12 - 1/2" - 270K STRAND PULLED @ 22,900  
BREAK BOND : • 8 FOR 6" O.C. AT EA. END OF BM  
ROW 1 ONLY

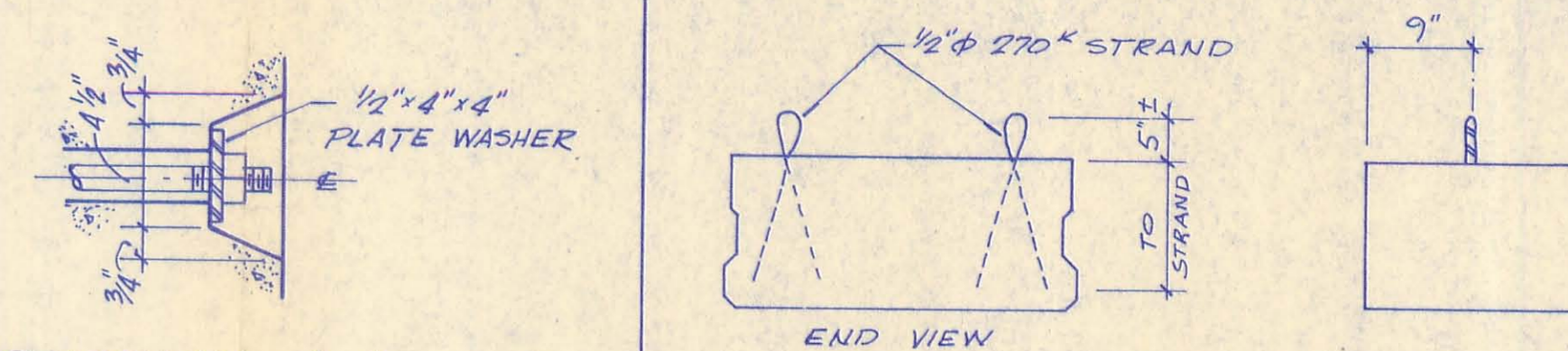
TYP. STRAND PATTERN



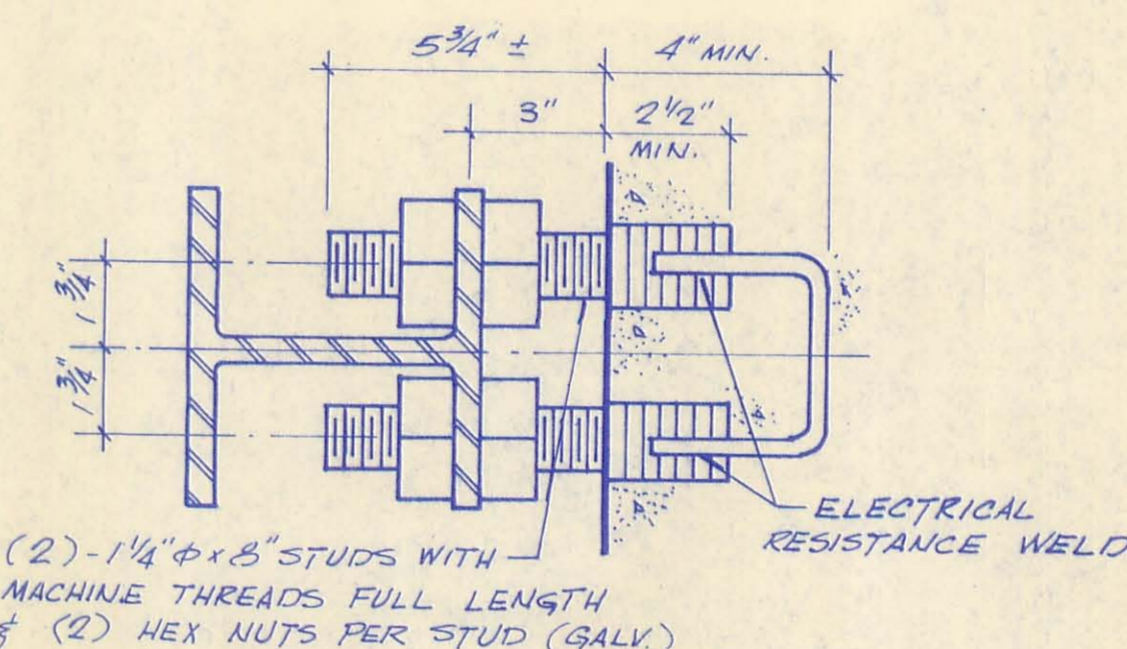
TYP. STEEL LAYOUT



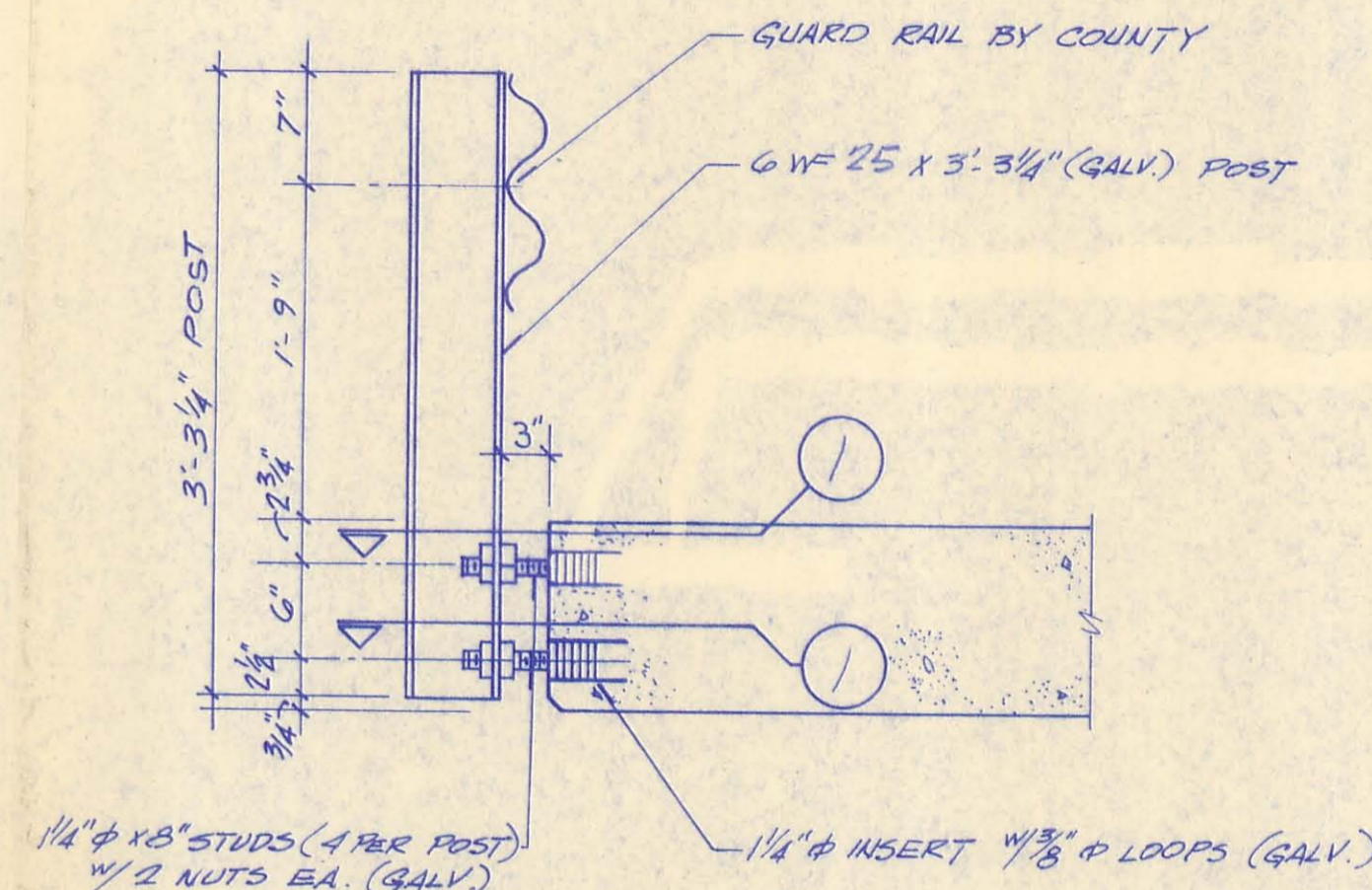
TIE ROD HAND HOLES



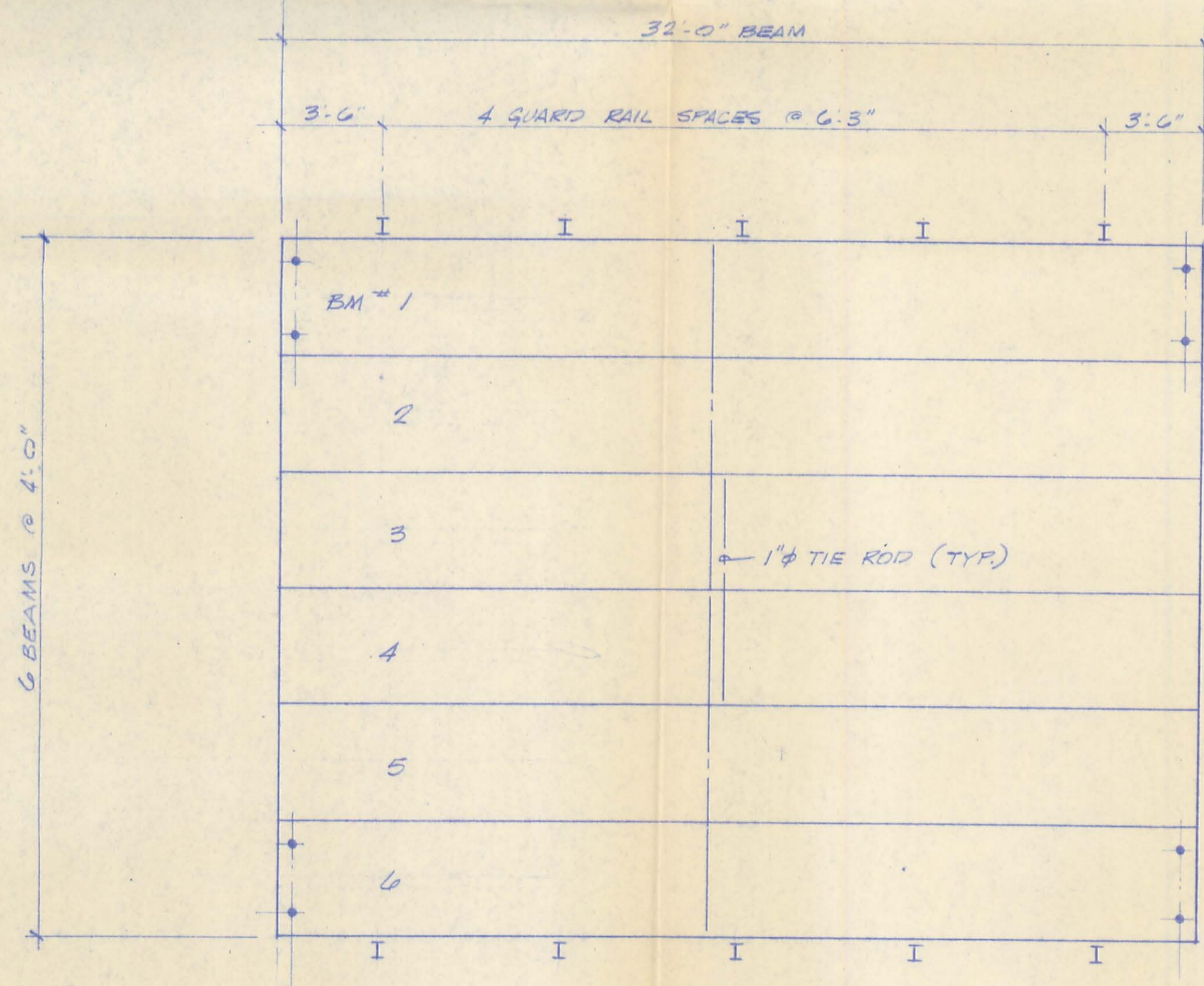
LIFTING DETAIL



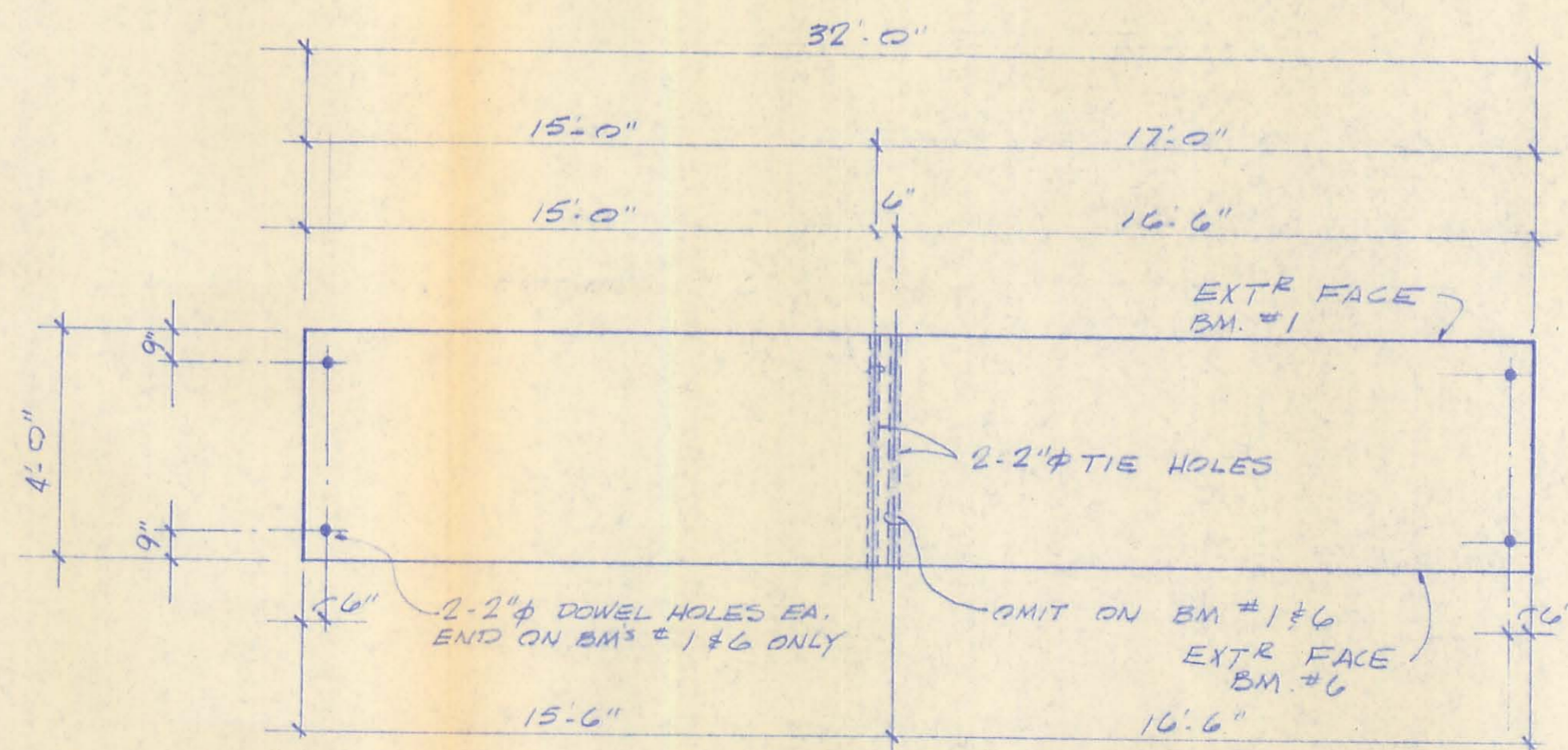
DETAIL ①



POST & ANCHOR DETAIL



BRIDGE PLAN



BEAM PLAN BM # 1, 2, 3, 4, 5 & 6

- NOTES:
1. CONC. STR. AT TIME OF PRECASTING = 4000 P.S.I. @ 28 DAYS = 5500 P.S.I.
  2. DETENSION STRAND SYMMETRICALLY ABOUT CENTER LINE
  3. WATERPROOF BEAM ENDS
  4. OMIT KEYWAY ON EXTR FACE OF EXTR BEAMS
  5. LOADING = HS-20-44
  6. BEAM WEIGHT = 19,700 #

Beams Set June 27, 1974

- CHANGE NOTES:
1. 3" x 1/4" KEYWAY TO 4" x 1/4" KEYWAY.
  2. 3" TIE ROD HOLE TO 2" TIE ROD HOLE

Approved:  
Chester R. Kutz, P.E. 5/21/74

REVISIONS			LOGAN COUNTY, OHIO BR. # 66-1.44	
NO.	DATE	BY	SCALE	DRAWING NO.
			NOT TO SCALE	
	5-13-74			
			DRAWN BY MDS	JOB NO. 0404
			CHECKED BY	DRAWING NO. 3 OF 3