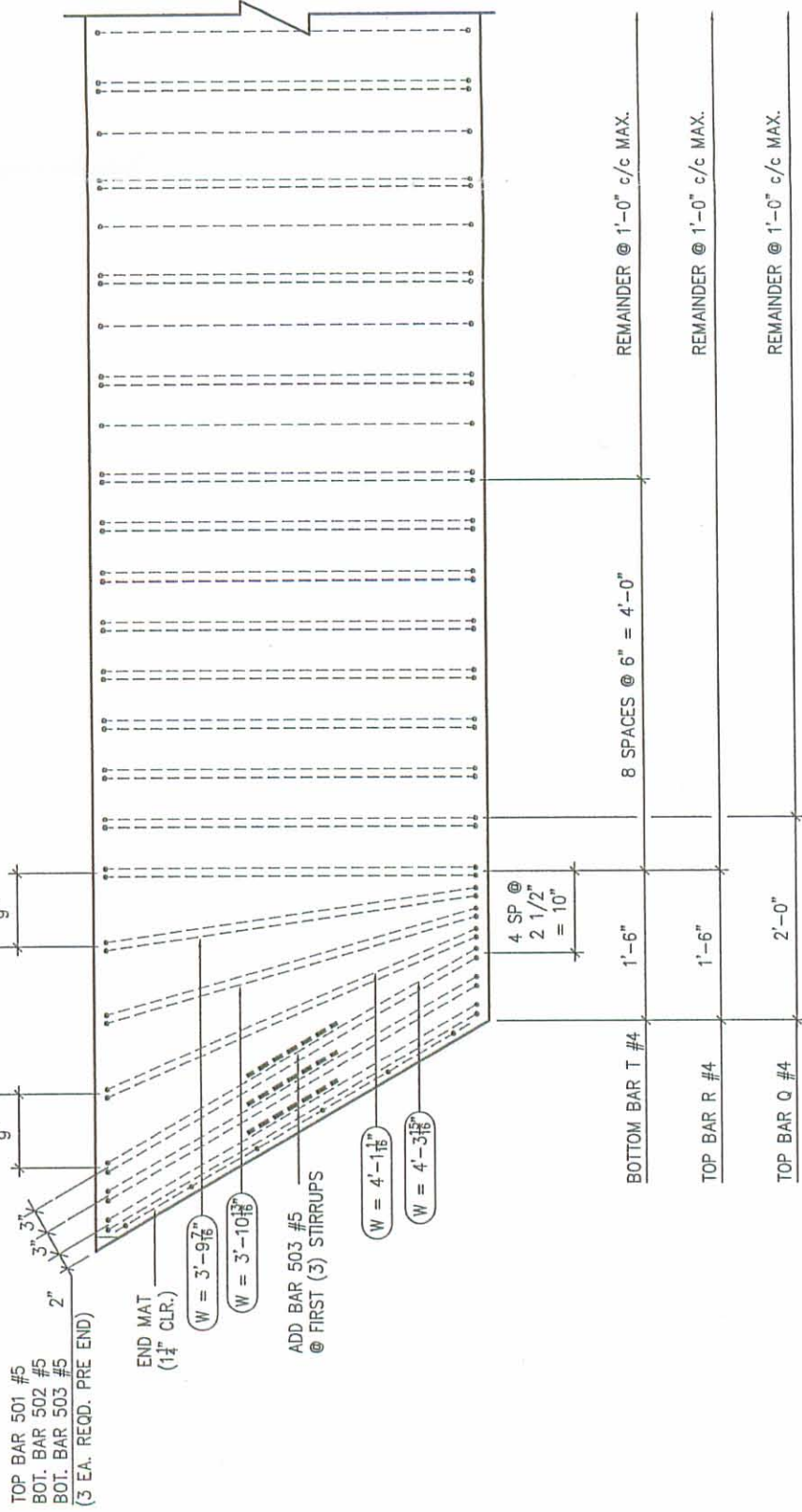
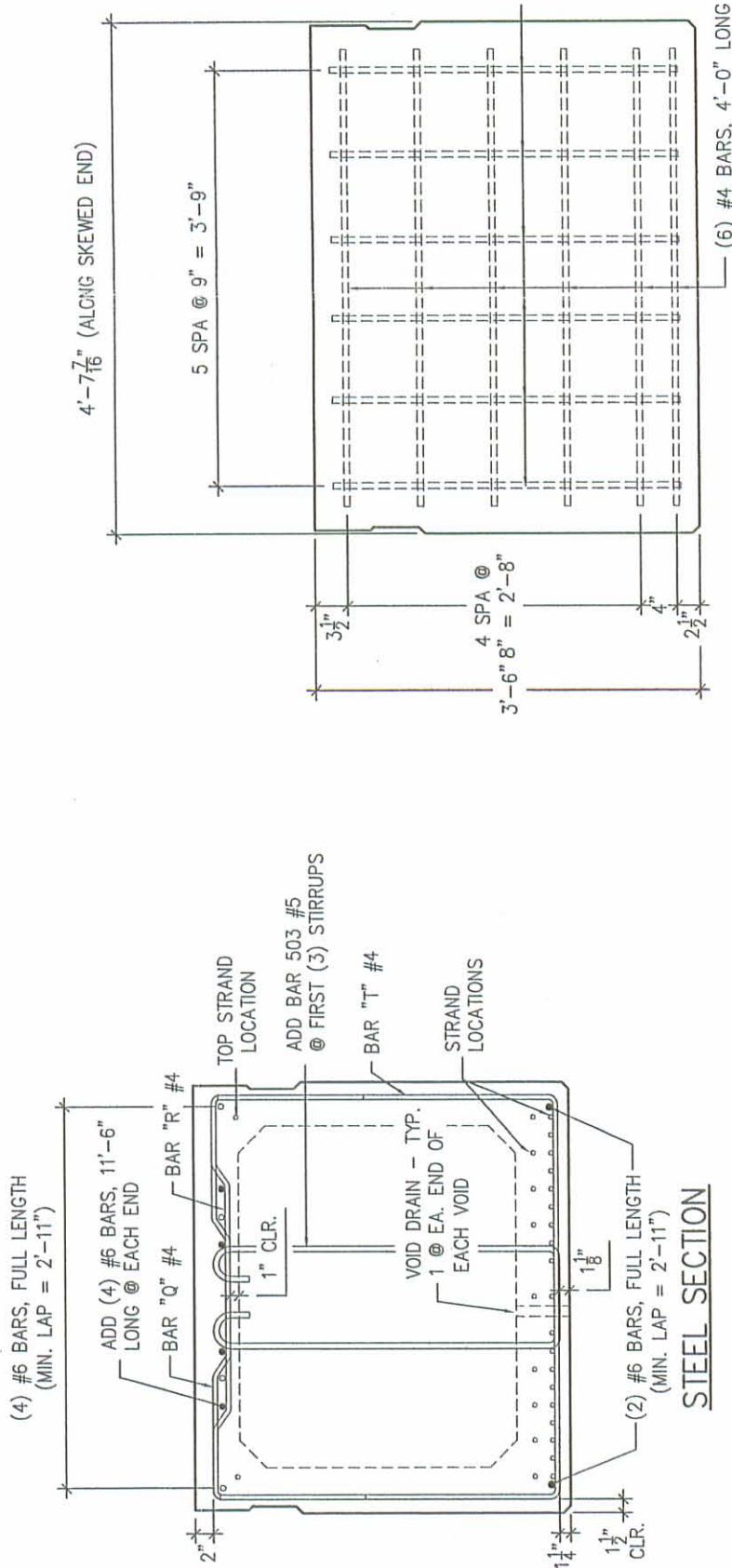


STIRRUP QUANTITIES PER BEAM

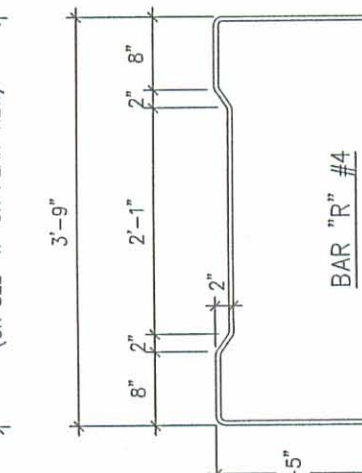
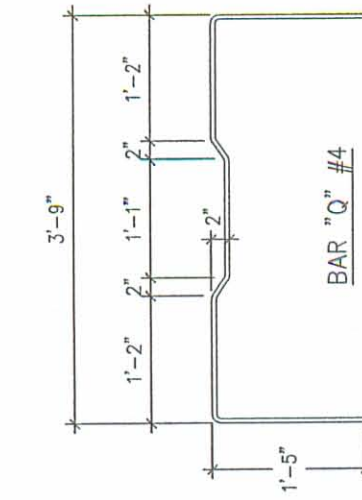
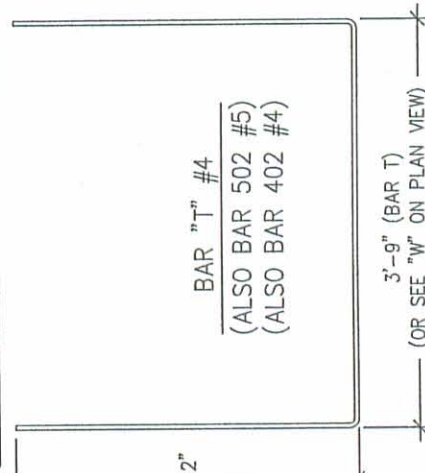
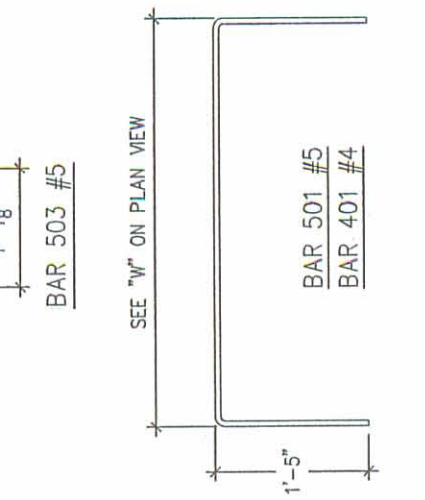
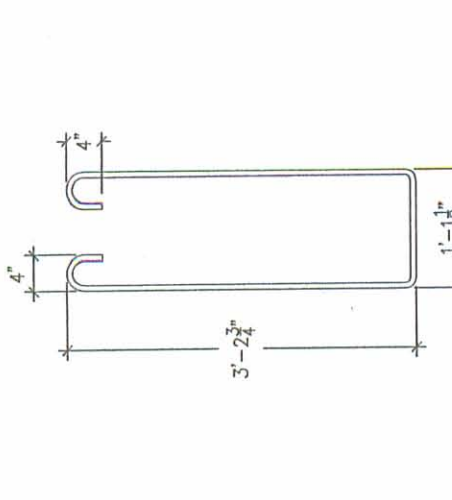
| MARK | BAR SIZE | NO. REQD. |
|-------|----------|-----------|
| BAR Q | # 4 | 99 |
| BAR R | # 4 | 100 |
| BAR T | # 4 | 108 |
| 501 | # 5 | 6 |
| 502 | # 5 | 6 |
| 503 | # 5 | 6 |
| 401 | # 4 | 6 |
| 402 | # 4 | 6 |



PARTIAL BEAM PLAN
(SHOWING STIRRUP SPACING)



ABUT. END MAT DETAIL



BENDING DIAGRAM

STEEL

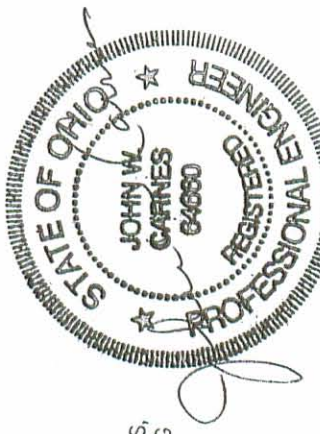
LOGAN COUNTY, OHIO
BR# 60-4.04
C-60 / CREEK

CONTRACTOR: COUNTY FORCES

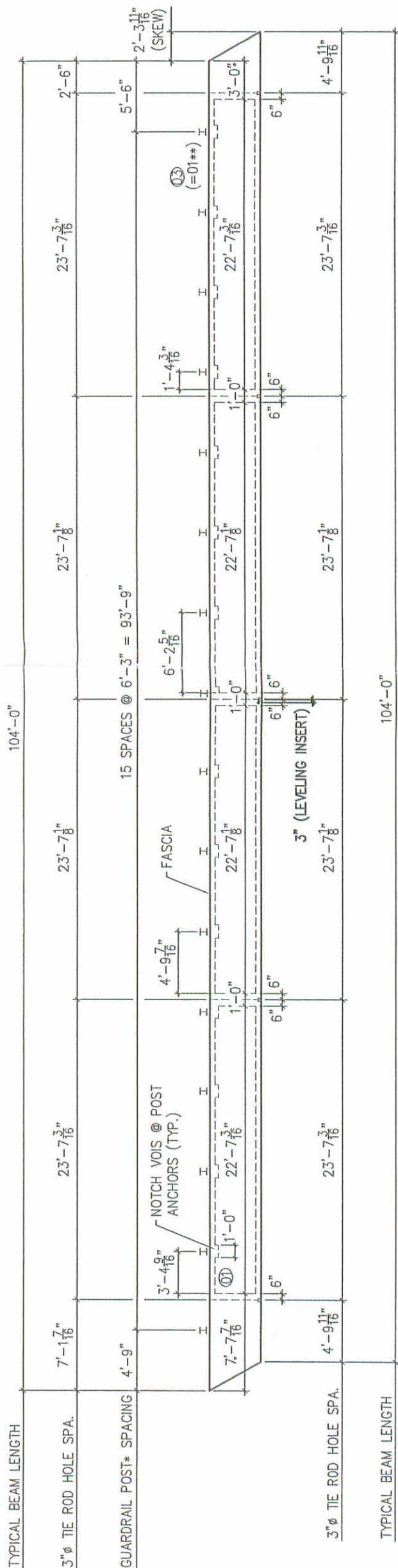
PRODUCING PLANT:
State Route 8
MELBOURNE, KY 41059
PH: (859) 441-0068
FAX: (859) 441-7986

DRAFTING OFFICE:
P.O. BOX 211
MELBOURNE, KY 41059
PH: (859) 441-0068
FAX: (859) 441-7986

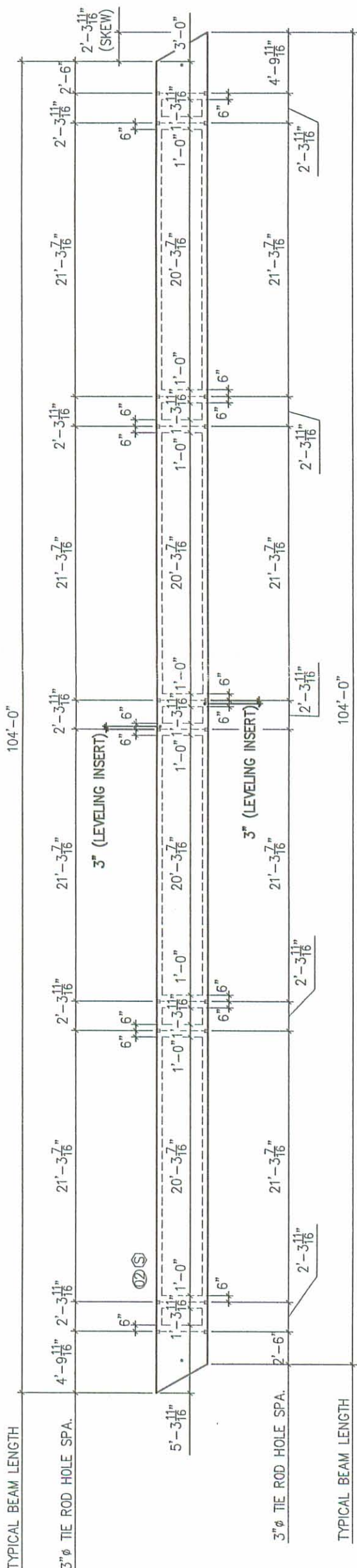
DATE: 2-21-03
DRAWN BY: EDD
CHECKED: GDA



02/27/03



TIE ROD / VOID LAYOUT MKS. 01 & 03 (1 REQD. EA. THUS) SHIPPING WT. = 112,665 LBS.



TIE ROD / VOID LAYOUT MK. 02 (4 REQD. THUS) SHIPPING WT. = 112,815 LBS.

*POSTS, RAIL, & TUBULAR BACK-UP BY PSM. POSTS SHIPPED INSTALLED - REMAINDER SHIPPED LOOSE.

Ⓢ = BEAM IS SYMMETRICAL

**DENOTES "IDENTICAL BY 180° ROTATION"

BEAM LAYOUTS

LOGAN COUNTY, OHIO
BR# 60-4.04
C-60 / CREEK

CONTRACTOR: COUNTY FORCES

PRODUCING PLANT: State Route 8
MELBOURNE, KY 41059
PH: (859) 441-0068
FAX: (859) 441-7986

DRAFTING OFFICE: P.O. BOX 211
MELBOURNE, KY 41059
PH: (859) 441-0068
FAX: (859) 441-7986

DATE: 2-21-03
DRAWN BY: EDD
CHECKED: GDA

REVISIONS

CODE: B42480 SHEET: 4 of 4 JOB NO: M3115

