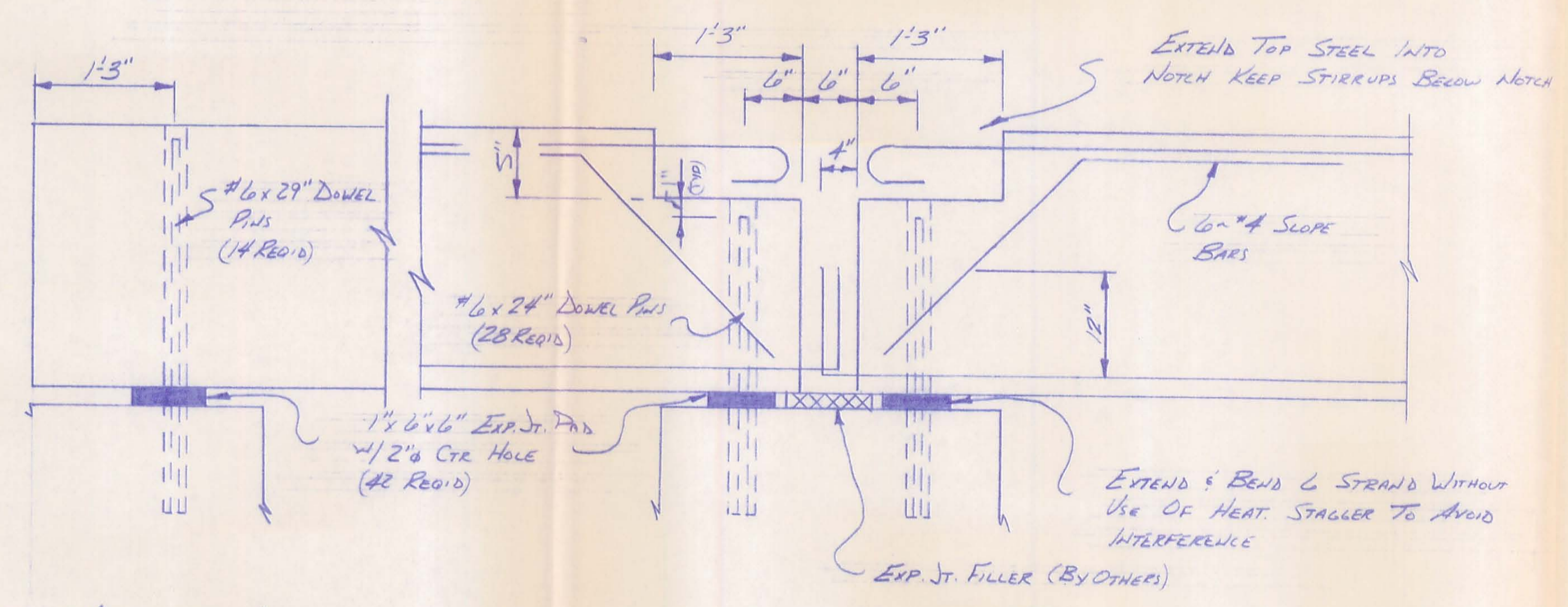
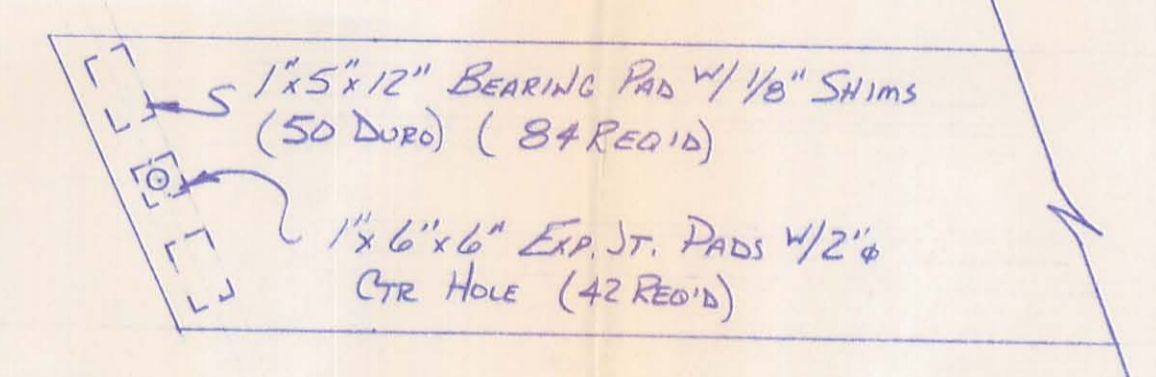


BEAM LAYOUT



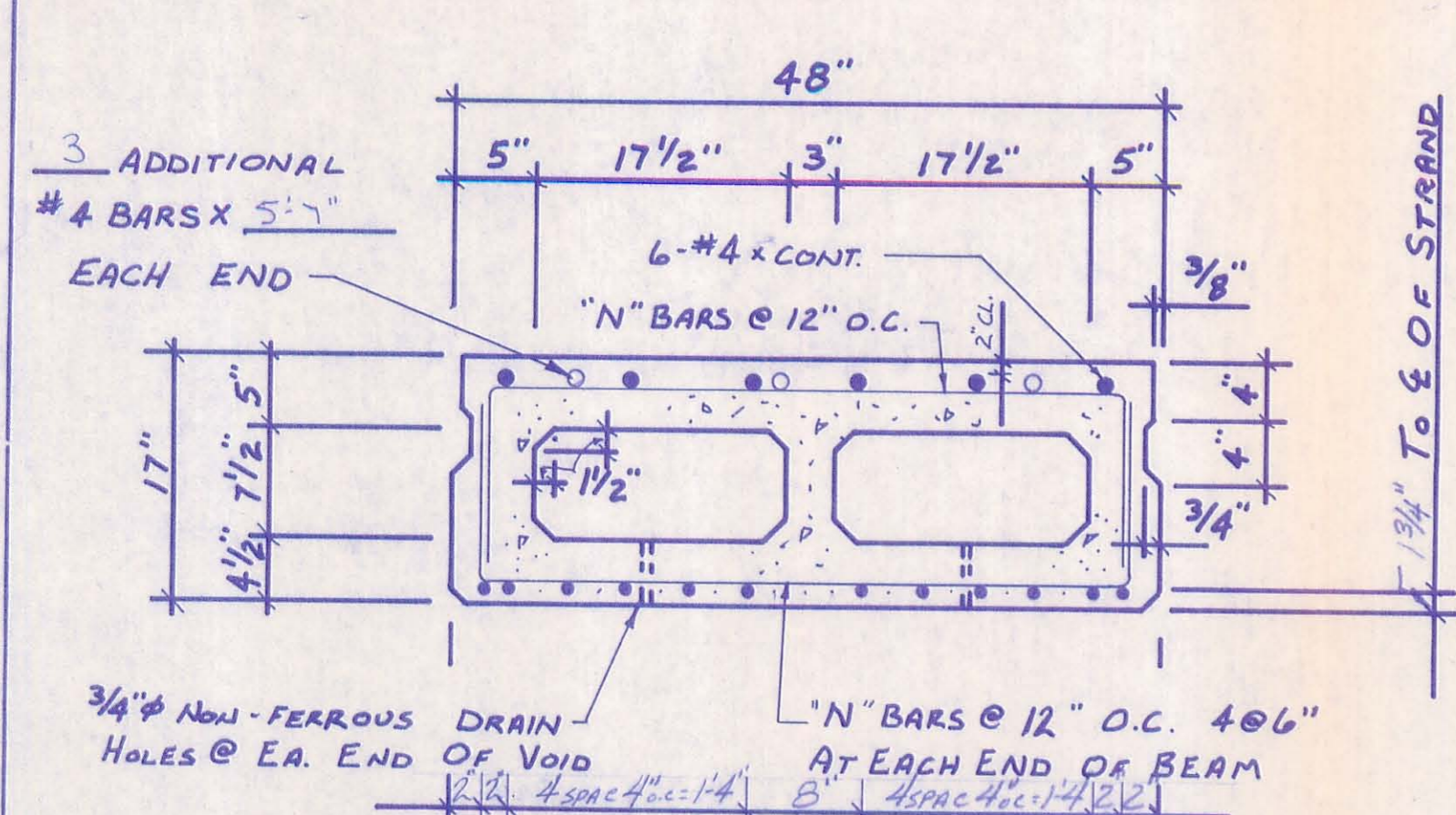
ABUTMENT DETAIL

PIER DETAIL

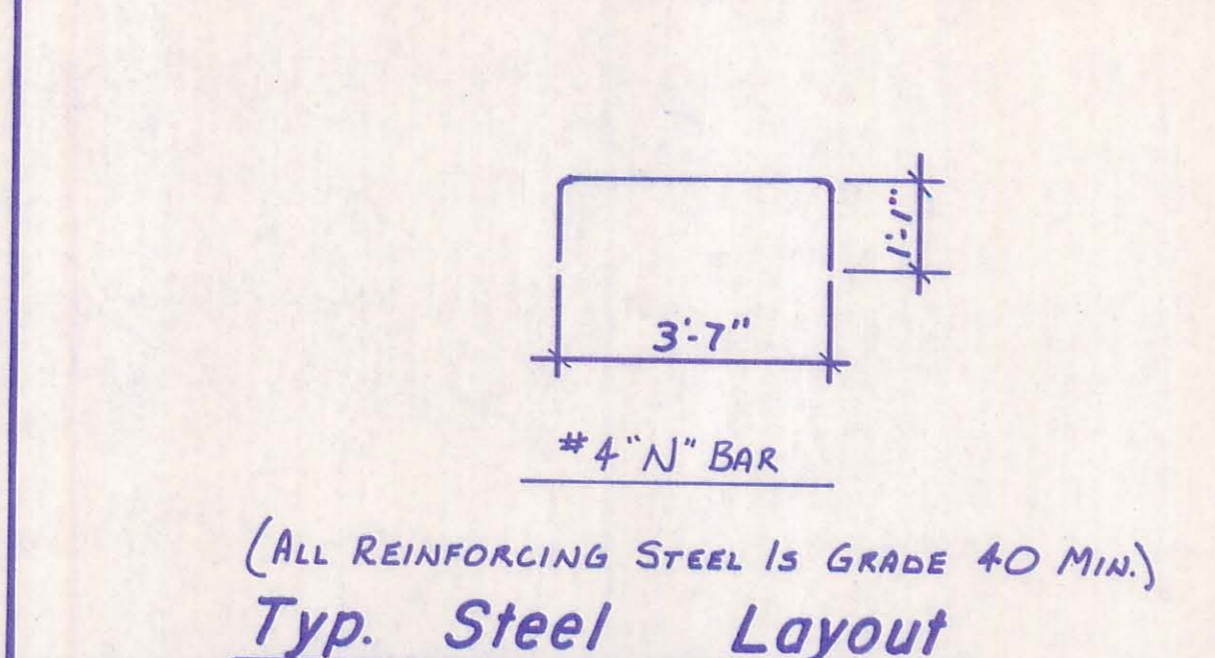


BEARING PAD PLACEMENT DETAIL

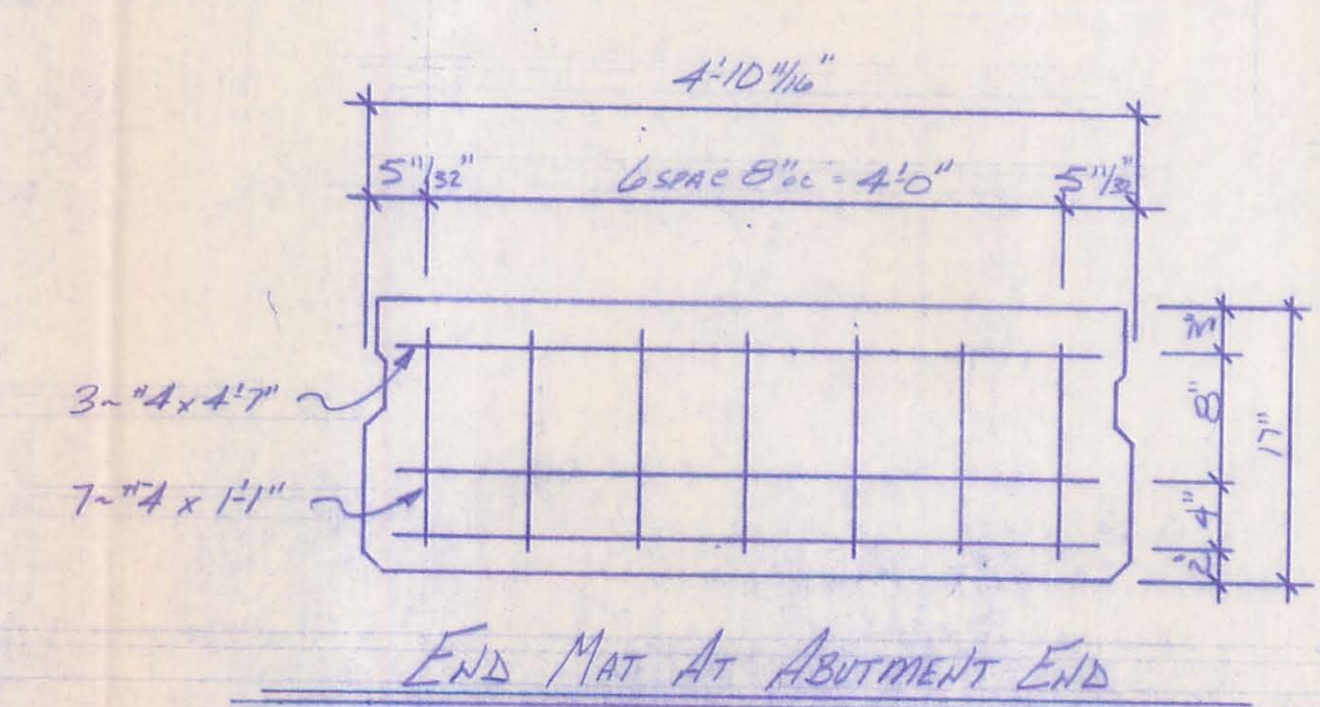
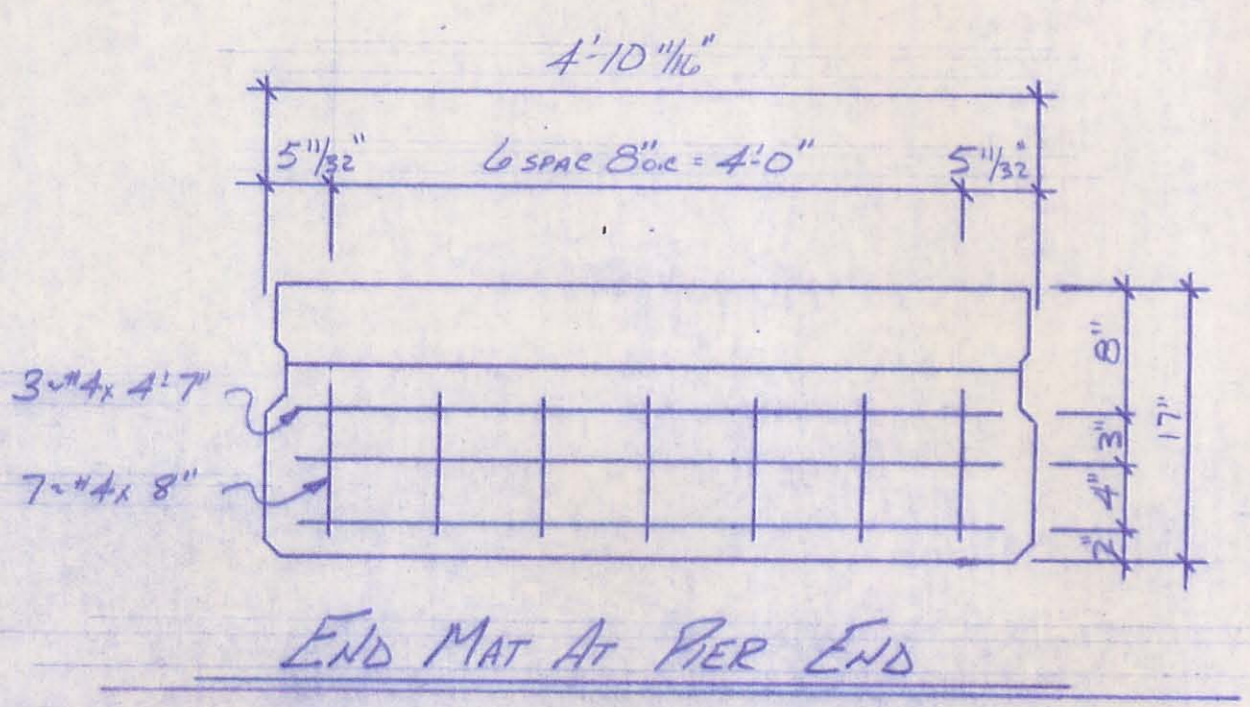
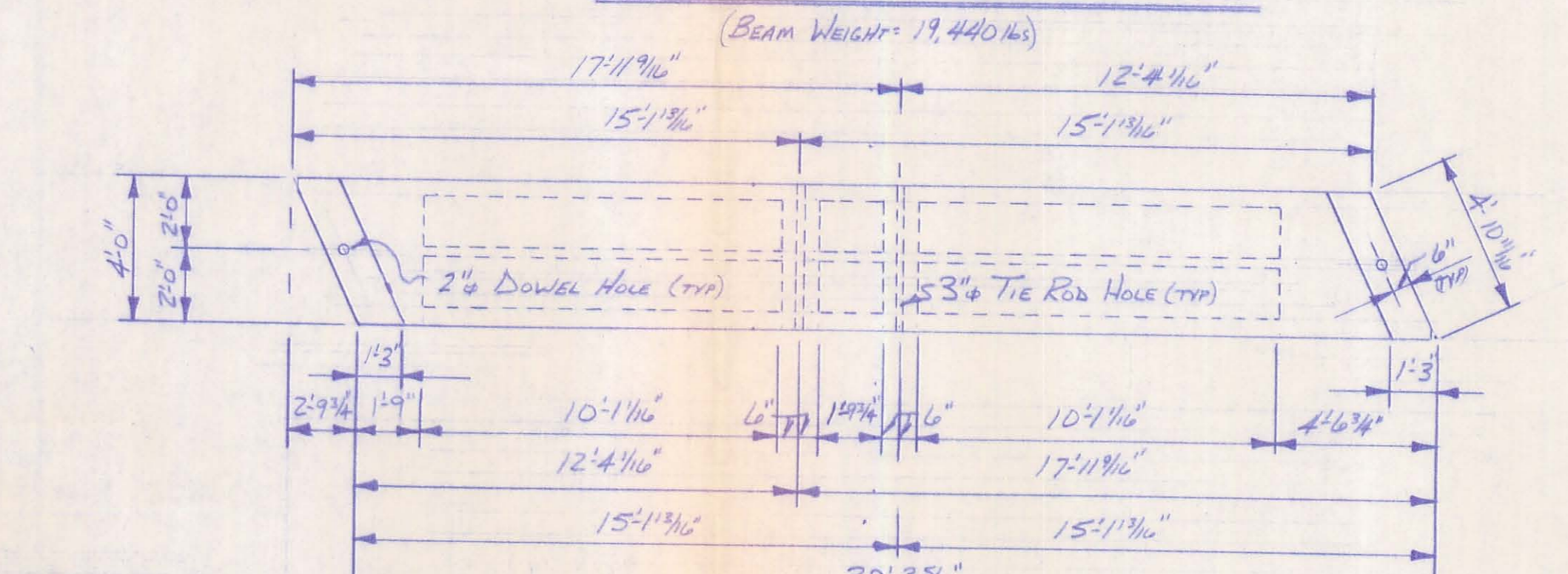
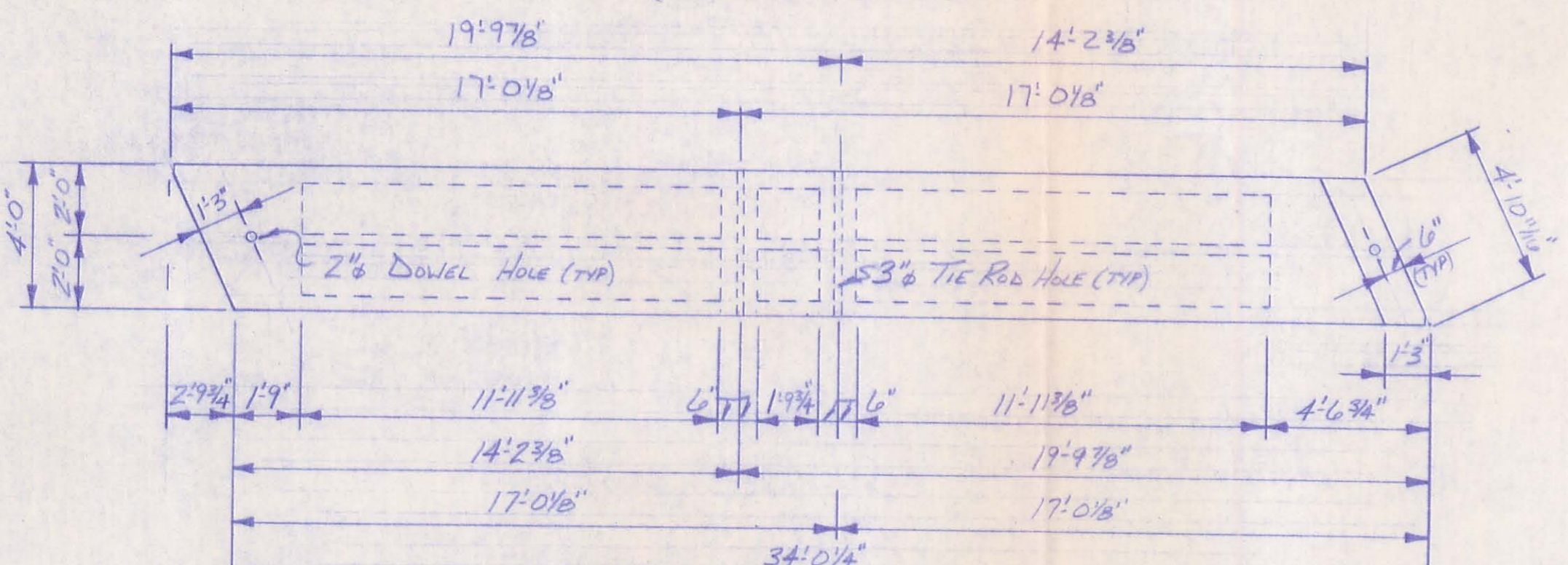
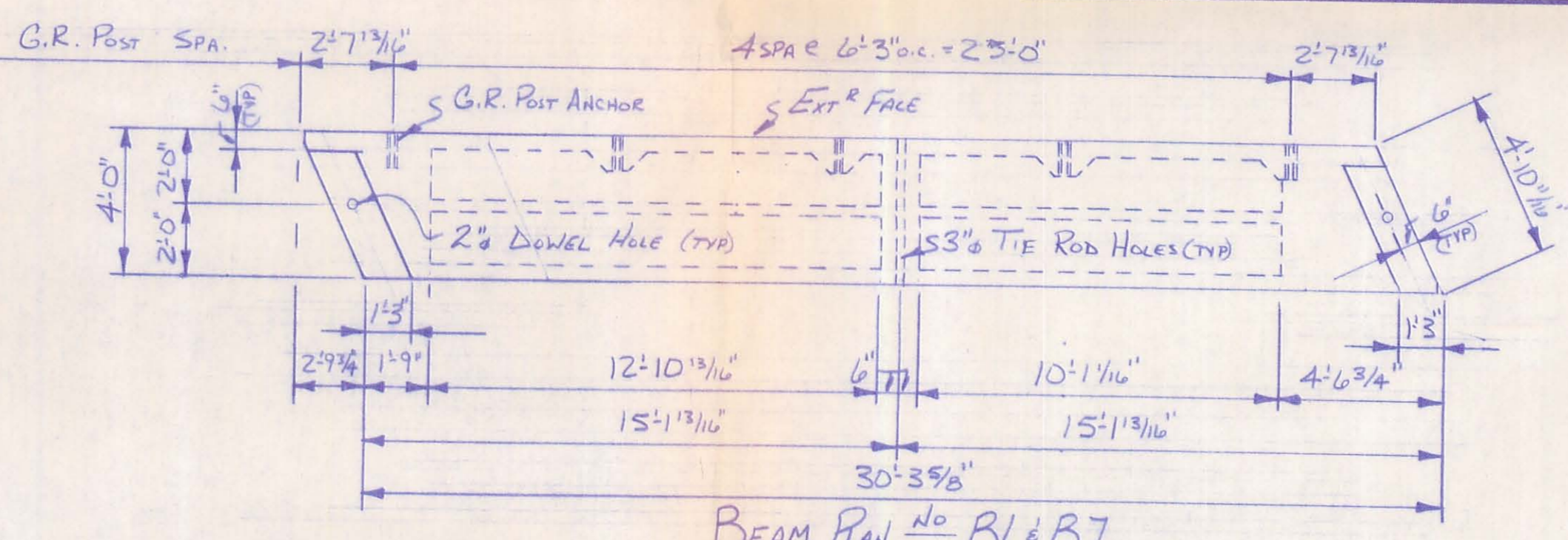
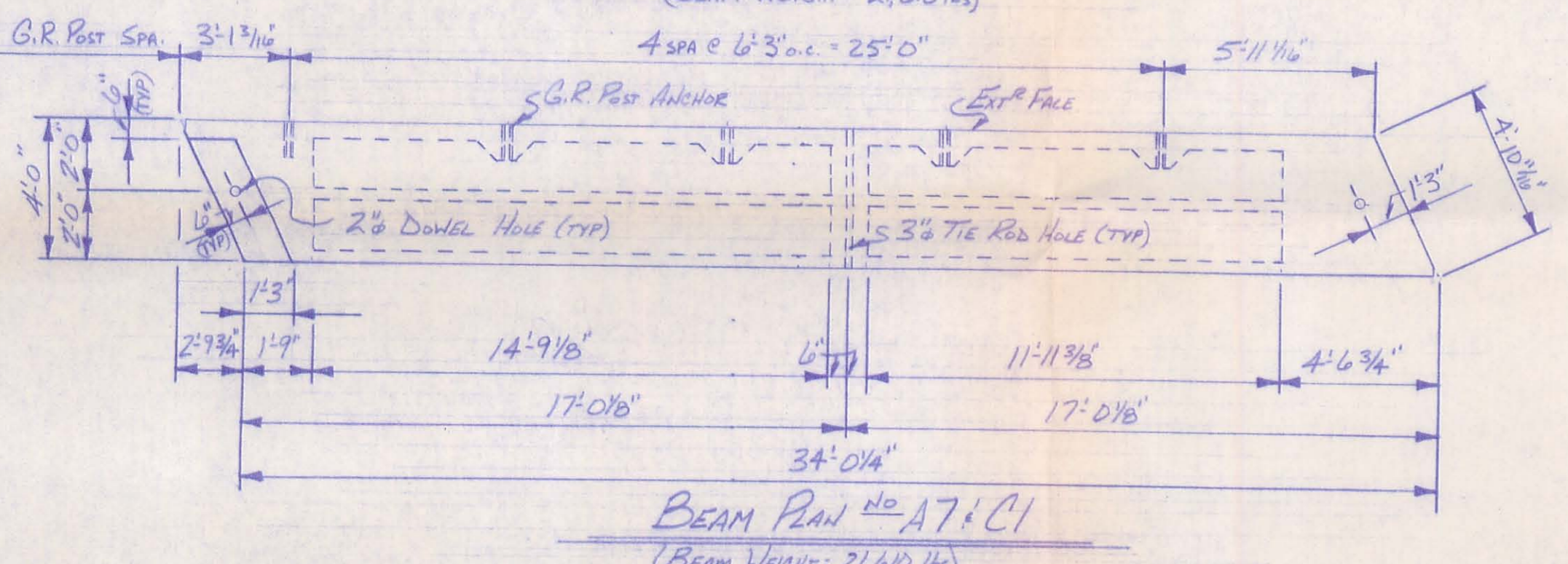
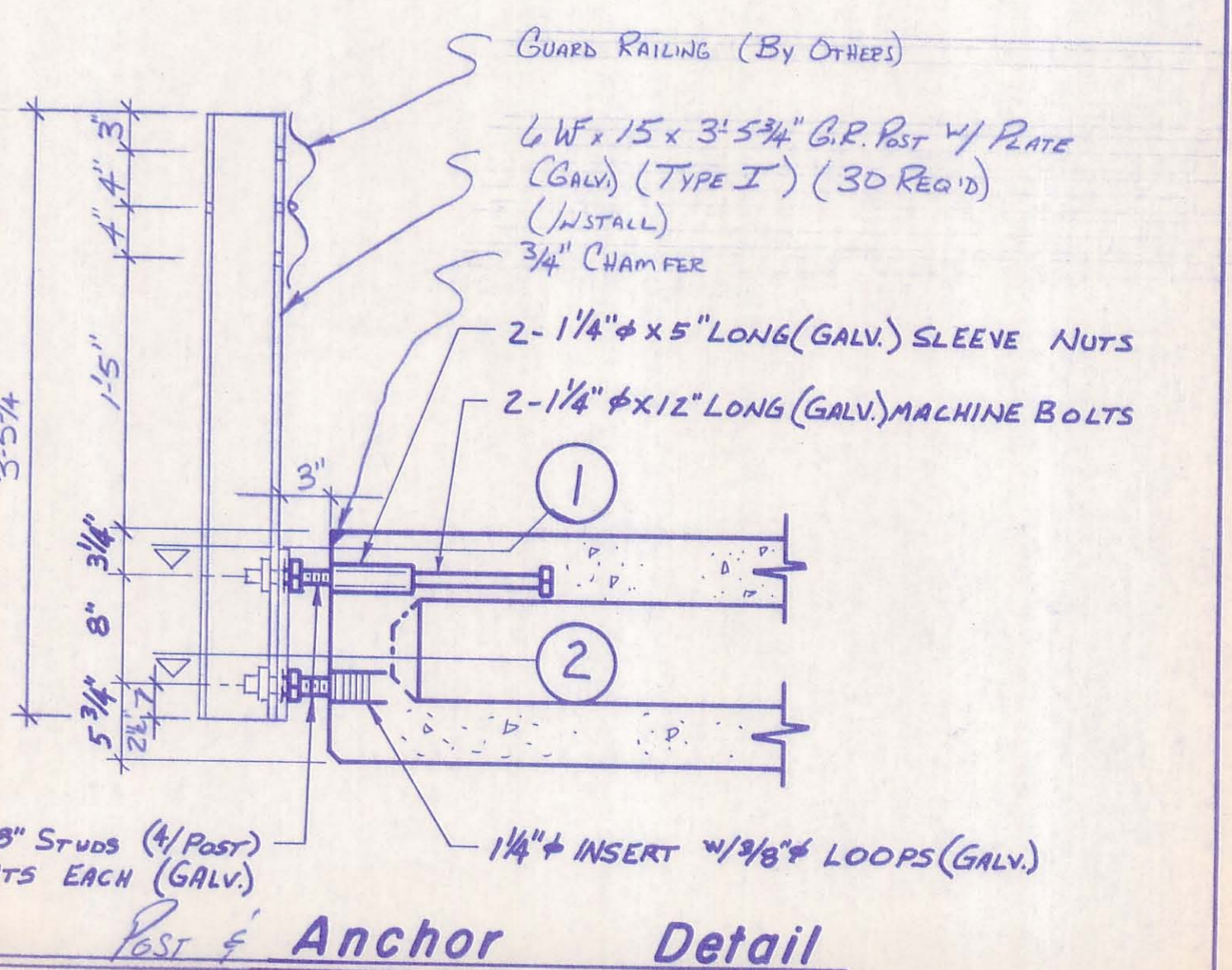
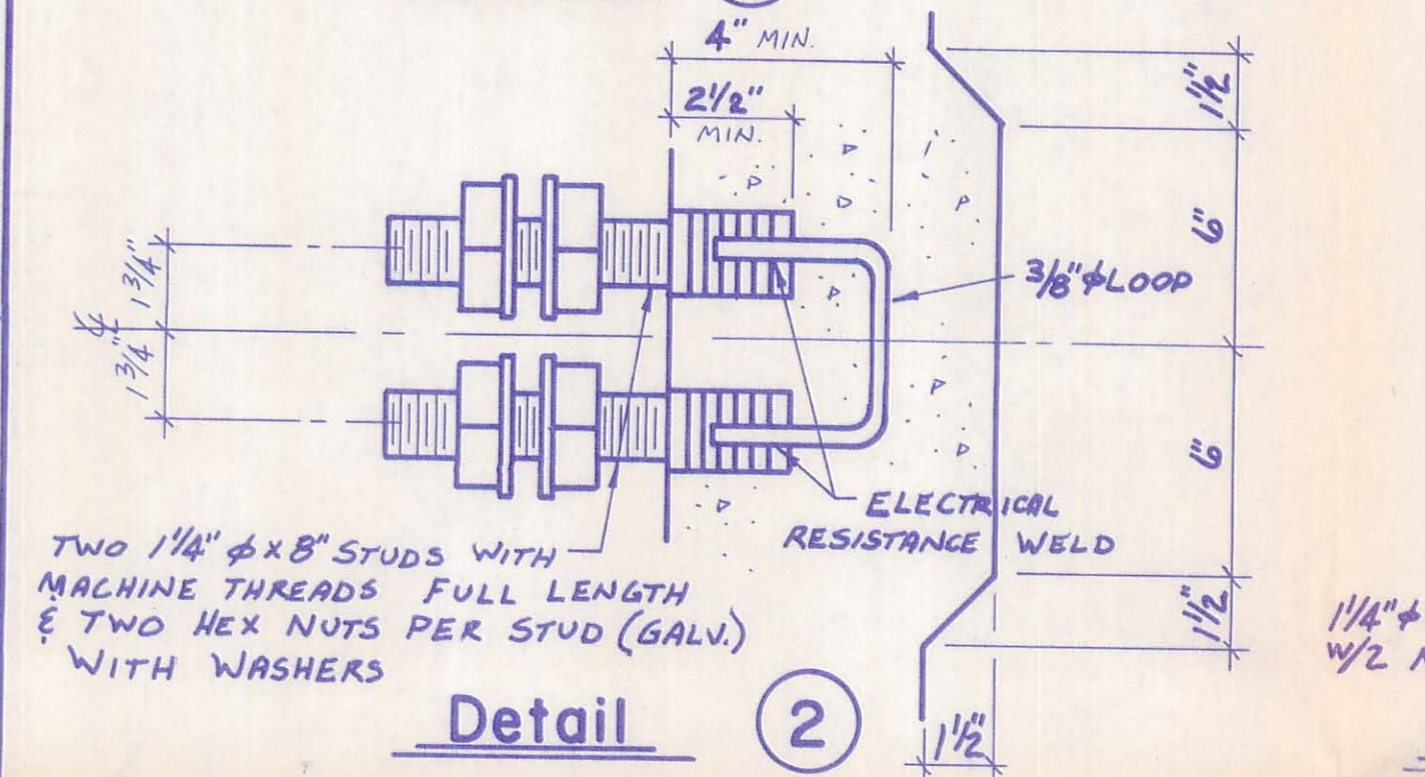
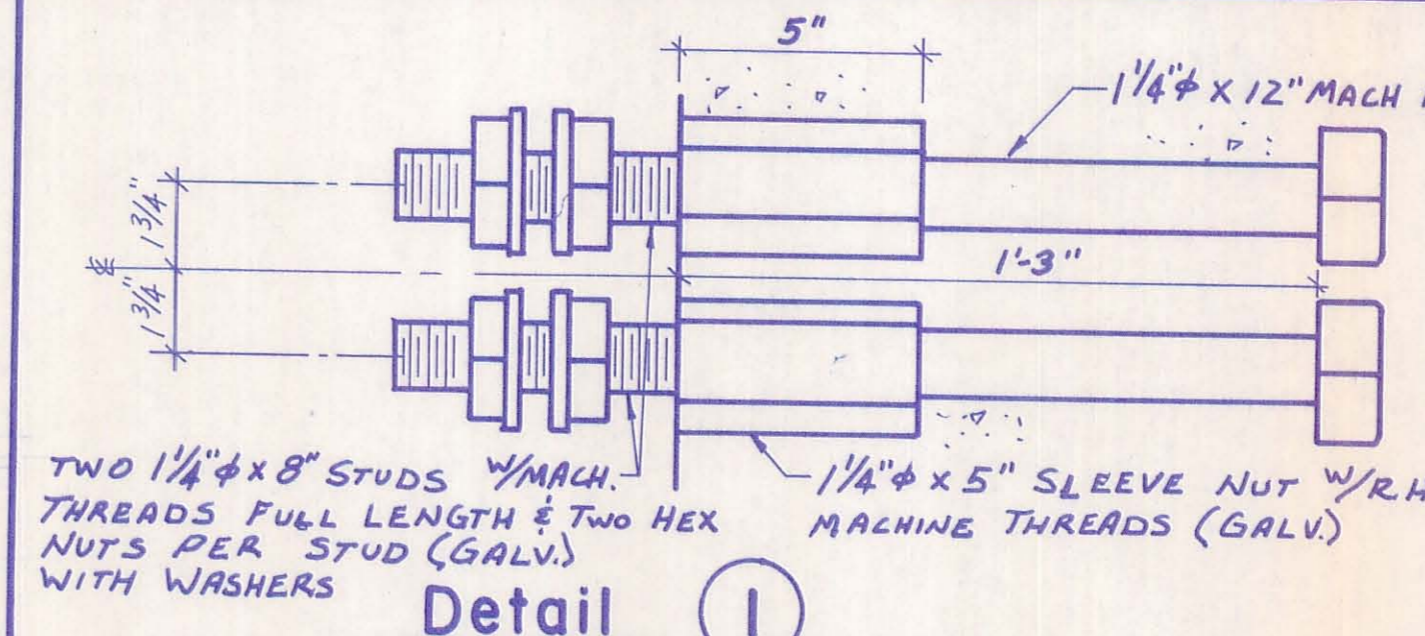
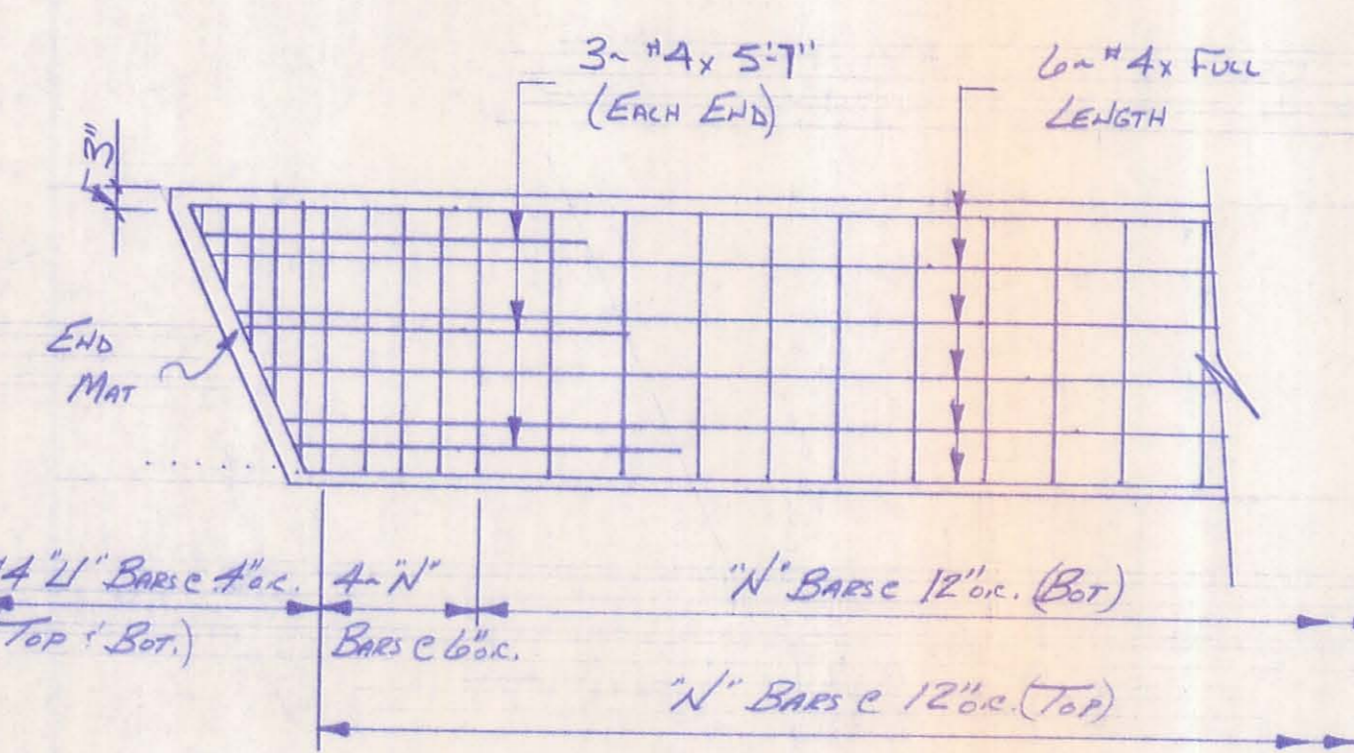
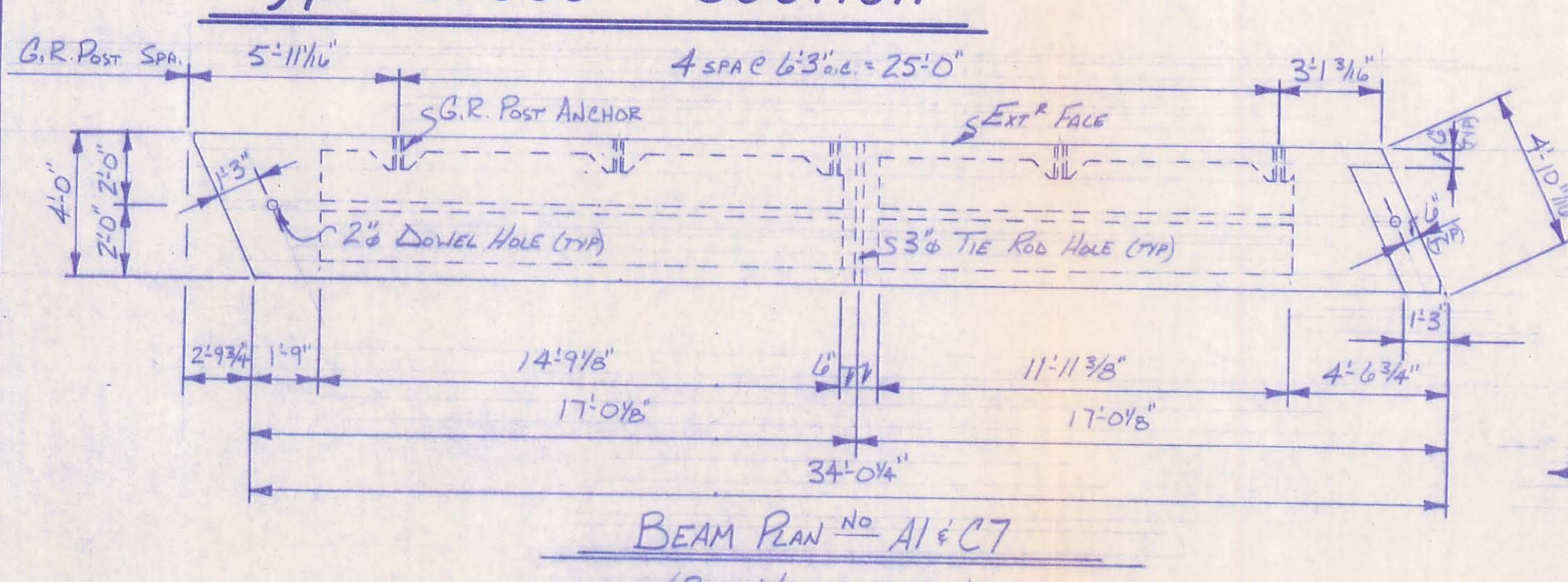
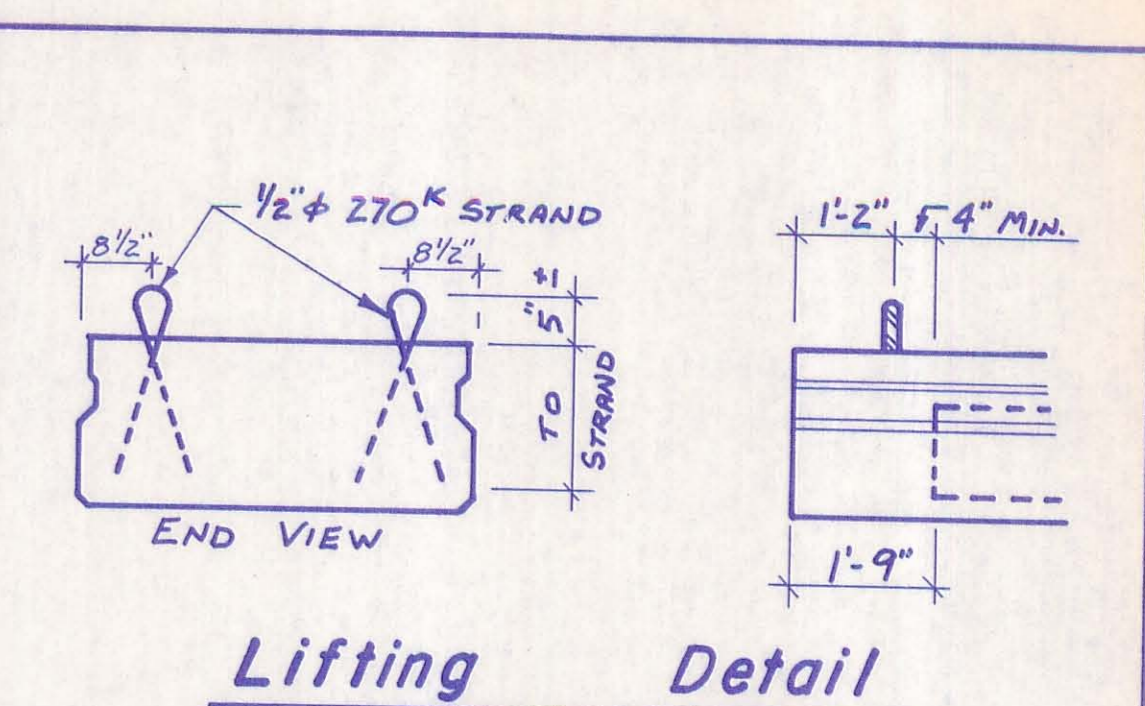
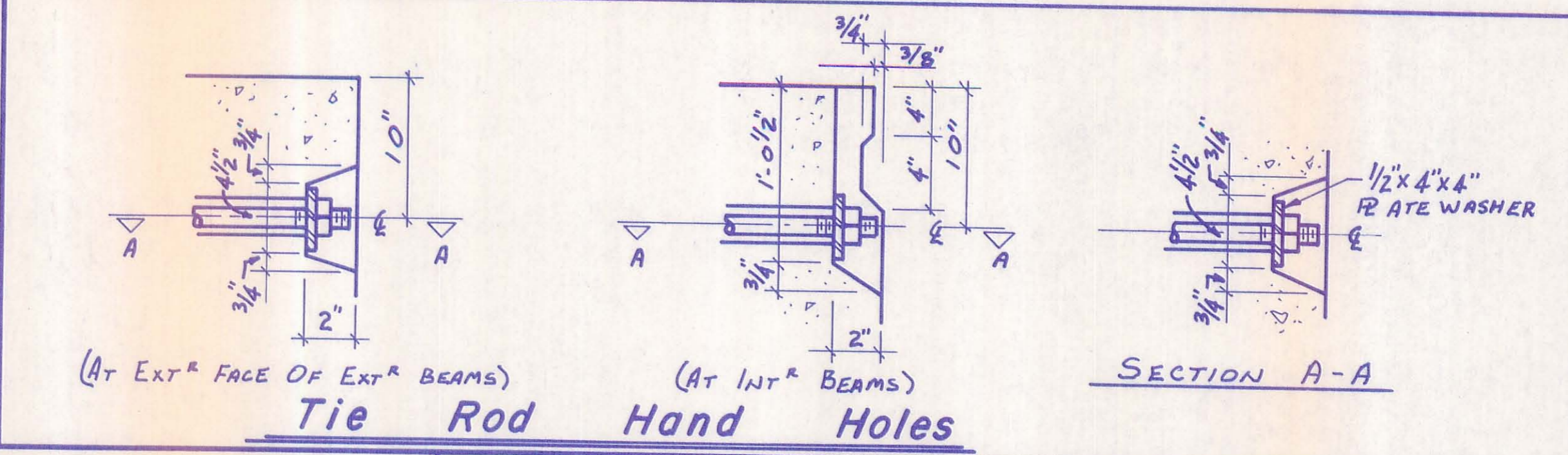
REVISIONS			Br. No. 59-1.14		Logan Co, Ohio.	
No.	Date	By	Contractor - County Forces			
			SCALE	PRESTRESS SERVICES, INC.		
			NONE	Decatur Indiana		
			DATE	DRAWN BY M.A.T.		
			11-29-90	JOB NO. 3854		
			CHECKED BY W.B.A.	DRAWING NO. 1 of 2		



Typ. Cross Section



Initial Pull Per Strand = 28,900 lbs.  
12 - 1/2" 270K STRANDS



- NOTES:
- Concrete Strength At Time Of Prestressing Is 4000 P.S.I. And At 28 Days Is 5500 P.S.I.
  - Detension Strand Symmetrically About Center Line.
  - Loading = HS-20-44 & Alternate Military.
  - Beam Weight = See Beam Plans
  - Top Surface Of Beams Given A Flat Float Finish
  - Anticipated Camber As Shown On Project Drawing Is: 3/4"
  - Waterproof Beam Ends At Abutment Ends Only
  - Omit Keyway On Exterior Face Of Exterior Beams

CHANGE NOTES

CHANGES ARE NOTED AS DIFFERENT FROM O.D.D.T. STD. DWG. P.S.B.D.-1-81 AND ARE VARIED PER. NOTE ON DWG. P.S.B.D.-1-81 SHT. 2 OF 4.

- 3/4" Keyway To 4/4" Keyway.
- Tie Rod Hand Hole From 9" To 10"

P.C. # 9417

Br. No. 59-114		Logan Co., Ohio.	
Contractor - County Forces			
SCALE	NONE	PRESTRESS SERVICES, INC	
DATE	11-29-90	Decatur Indiana	
DRAWN BY	M.A.T.	JOB NO.	DRAWING NO.
CHECKED BY	W.B.A.	3854	2 of 2