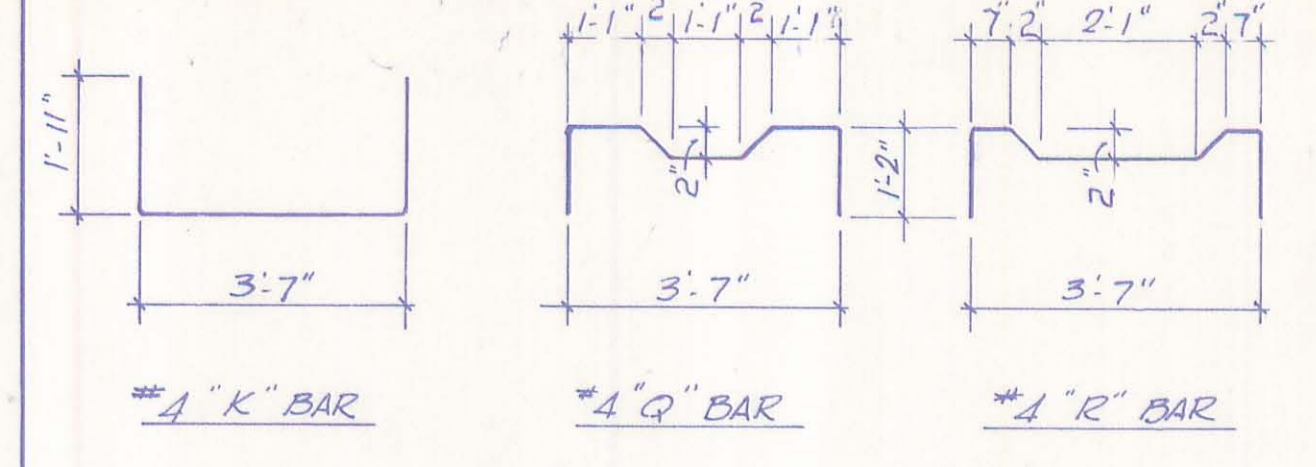
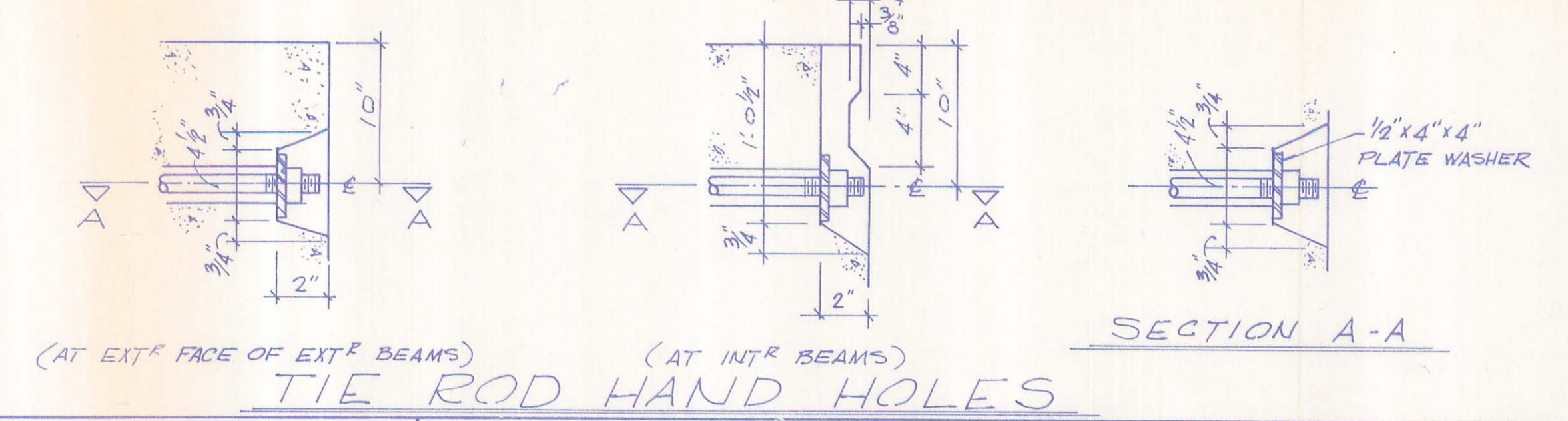


TYP. CROSS SECTION

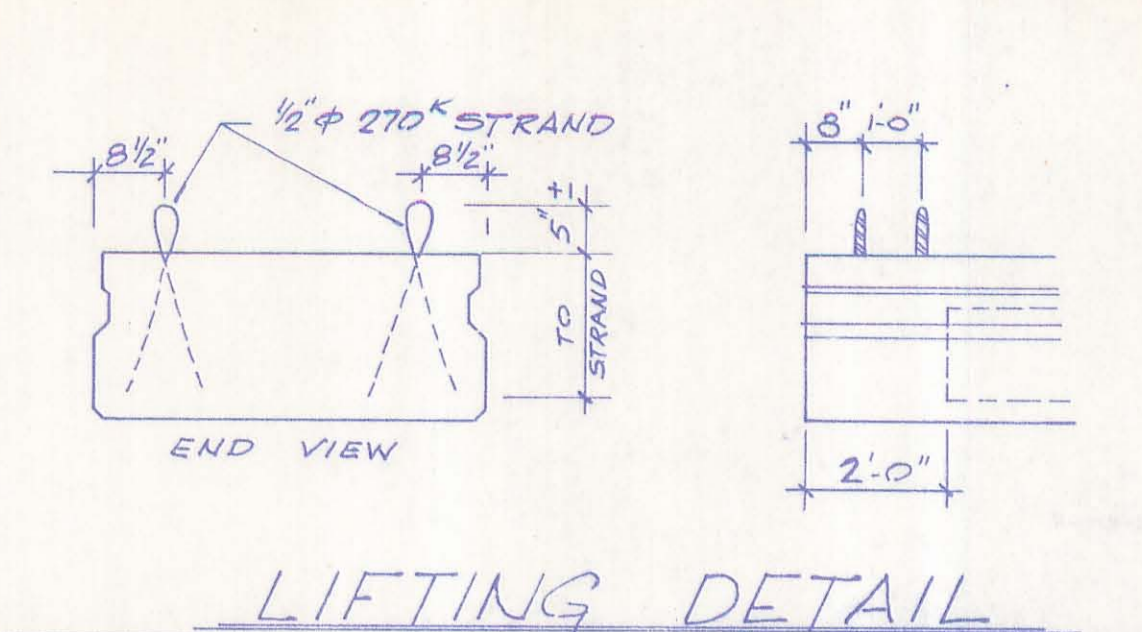


(All Reinforcing Steel Is Grade 40 Min.)
TYP. STEEL LAYOUT

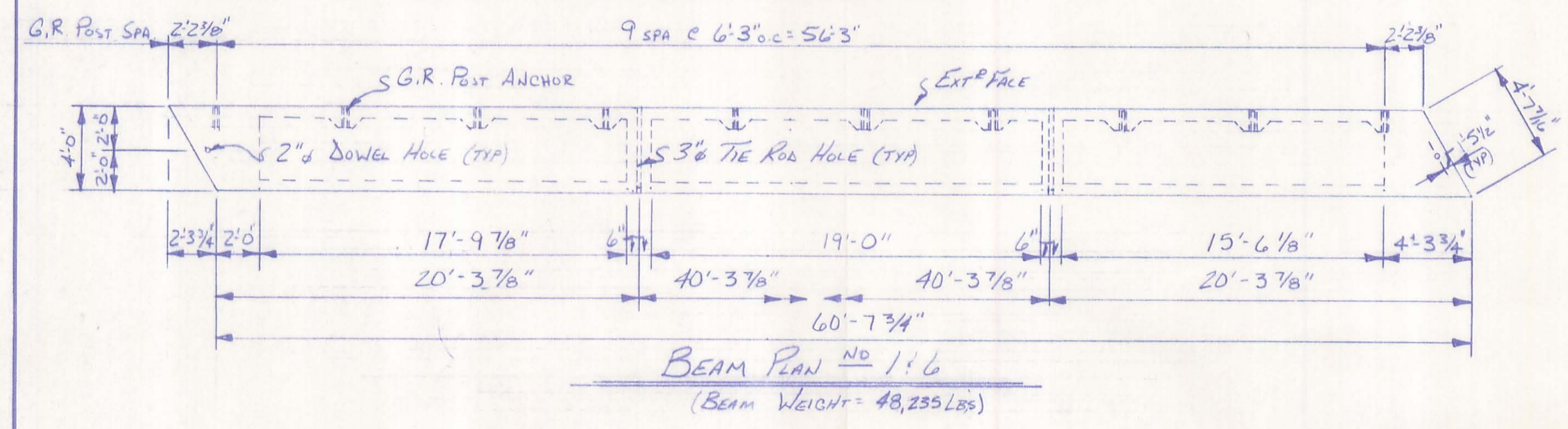
Initial Pull Per Strand = 28,900 lbs.
20 - 1/2" 270K STRAND
① - DEBOND 2 STRANDS @ 1'-6" EACH END



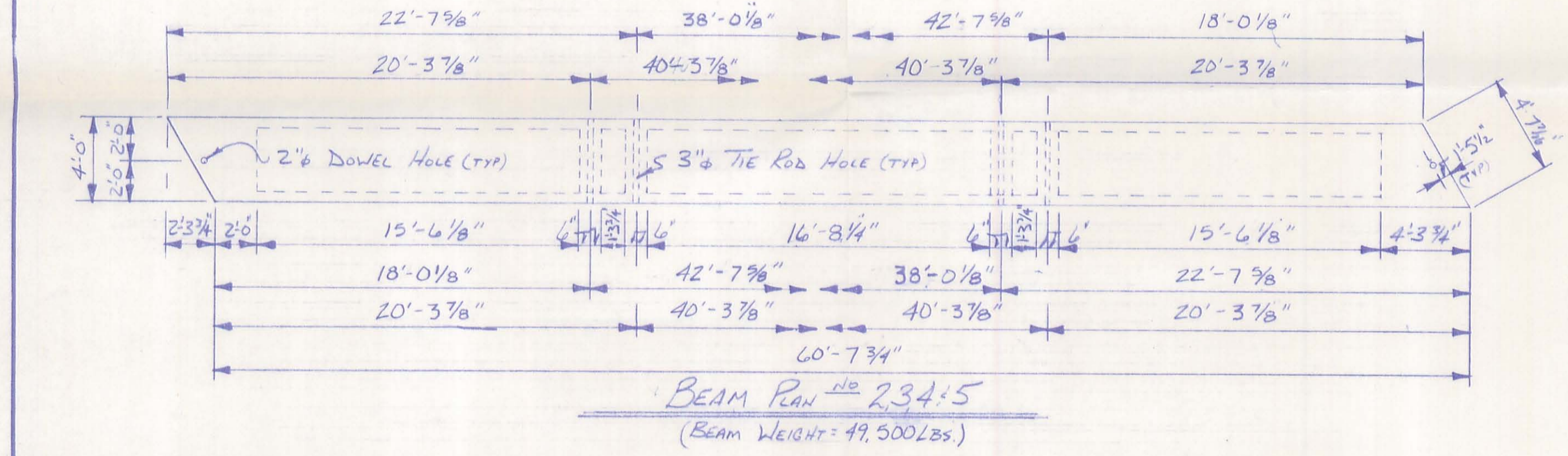
TIE ROD HAND HOLES



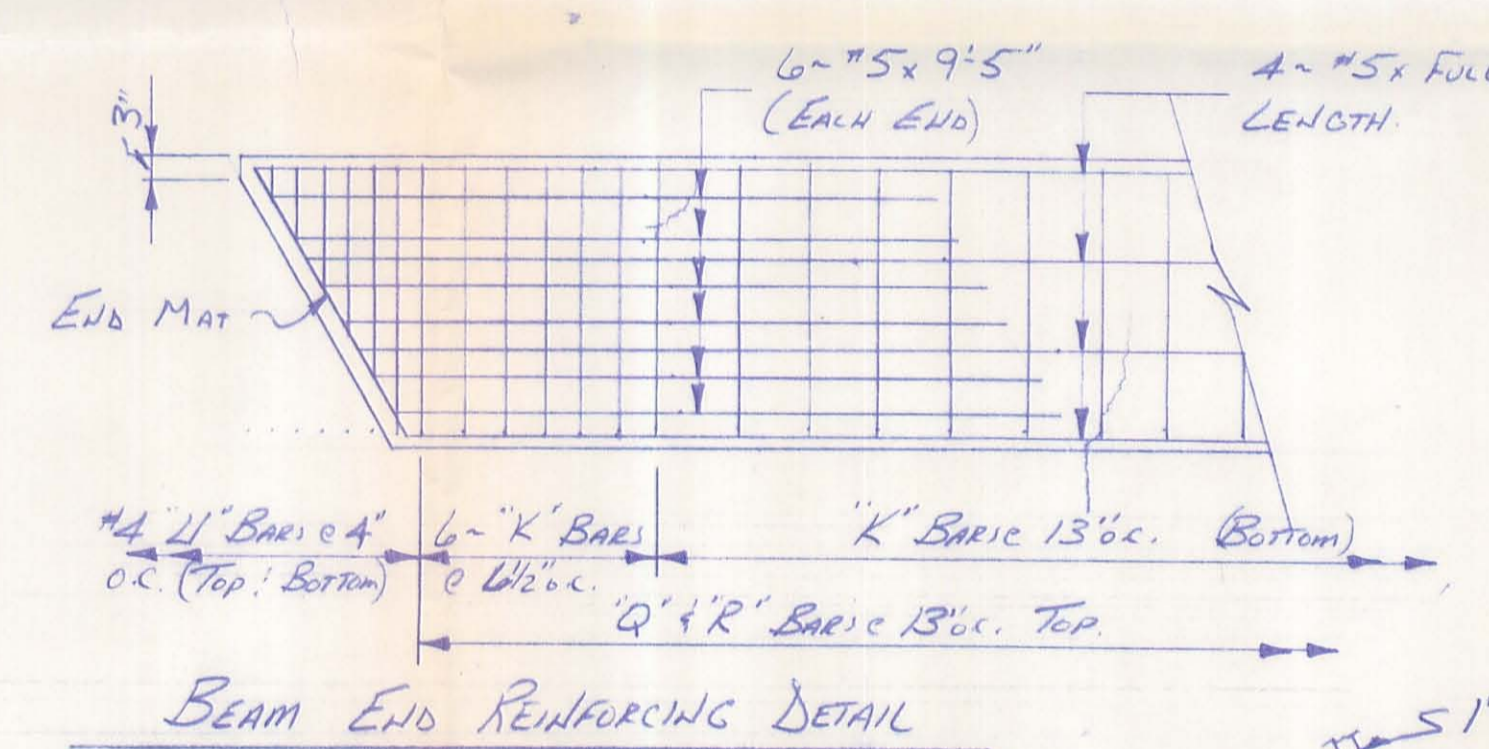
LIFTING DETAIL



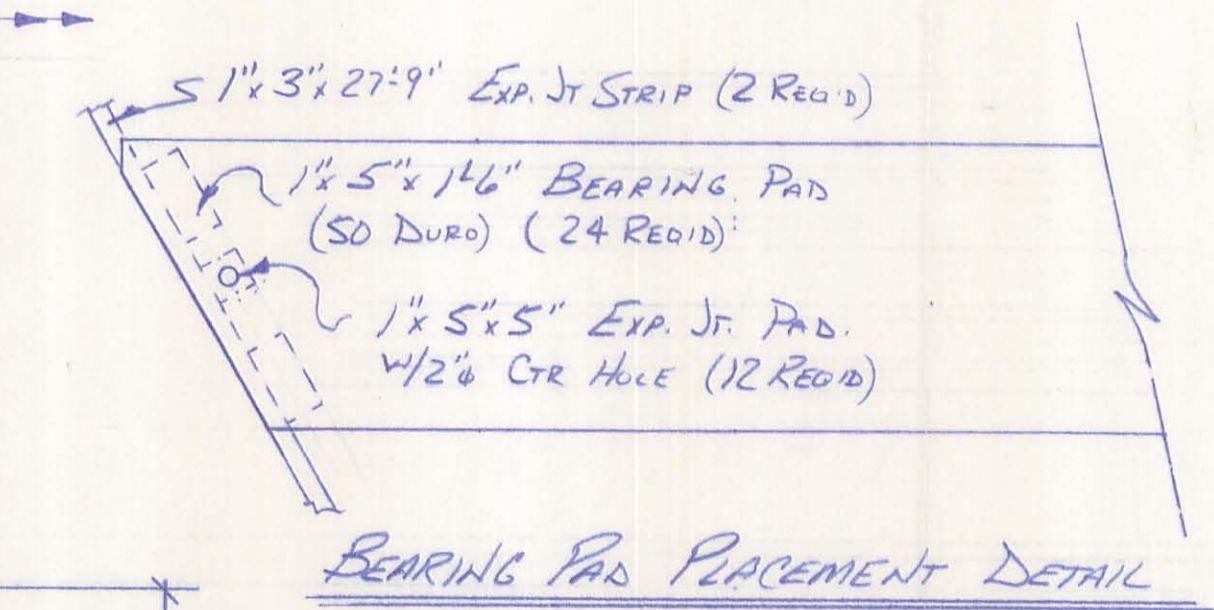
BEAM PLAN NO. 1+6
(BEAM WEIGHT = 48,255 LBS.)



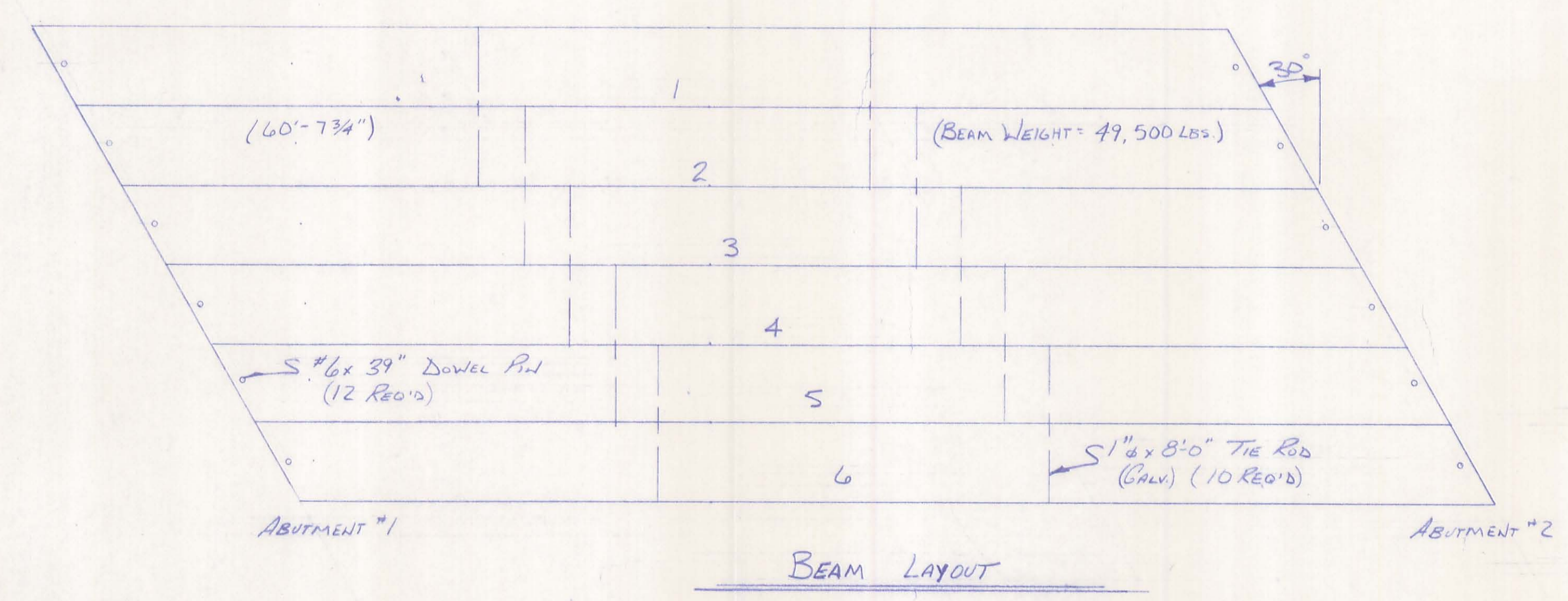
BEAM PLAN NO. 2,3,4,5
(BEAM WEIGHT = 49,500 LBS.)



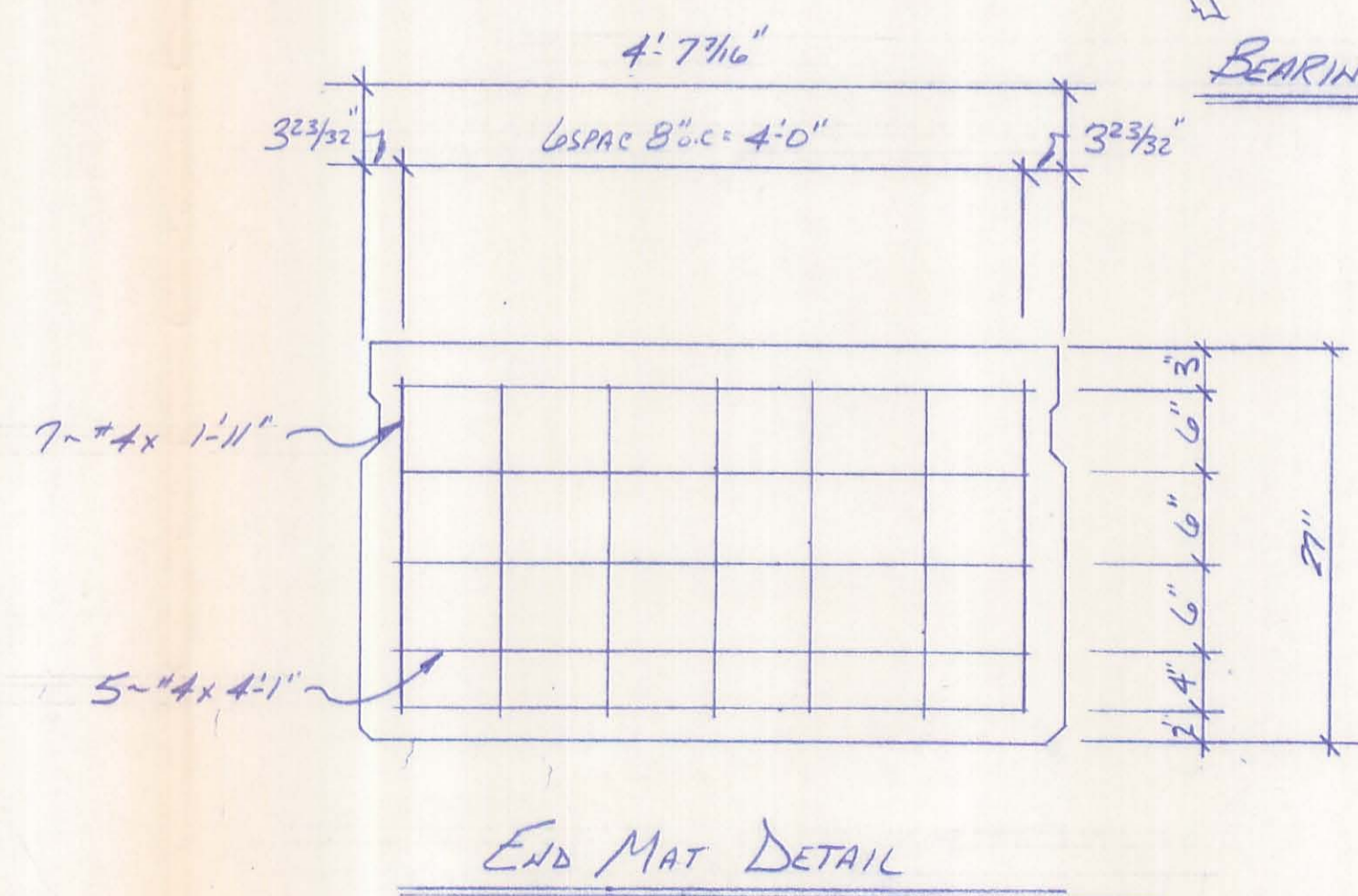
BEAM END REINFORCING DETAIL



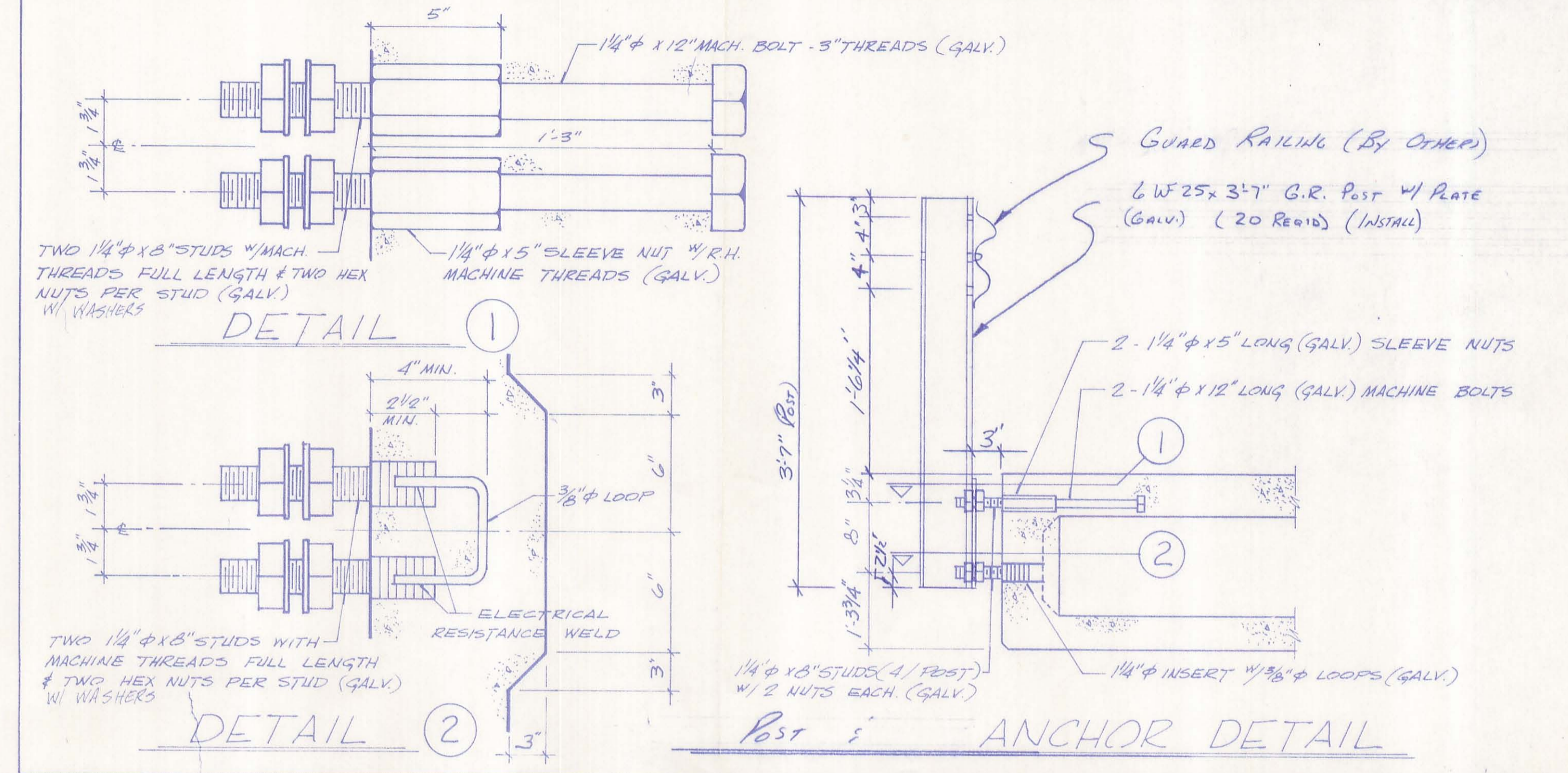
BEARING PAD PLACEMENT DETAIL



BEAM LAYOUT



END MAT DETAIL



ANCHOR DETAIL

- NOTES:
- Concrete Strength At Time Of Prestressing Is 4000 P.S.I. And At 28 Days Is 5500 P.S.I.
 - Detension Strand Symmetrically About Center Line.
 - Loading = HS-20-44 & Alternate Military.
 - Beam Weight = SEE BEAM ROWS
 - Top Surface Of Beams Given A Flat Float Finish
 - Anticipated Camber As Shown On Project Drawing Is 1/8"
 - Waterproof Beam Ends
 - Omit Keyway On Exterior Face Of Exterior Beams

REVISED
JAN 30 1991
PRESTRESS SERVICES, INC.
APPROVED PRINTS FOR FABRICATION

CHANGE NOTES

CHANGES ARE NOTED AS DIFFERENT FROM O.D.O.T. STD. DWG. P.S.B.D.-1-81 AND ARE VARIED PER NOTE ON DWG. P.S.B.D.-1-81 SHT. 2 OF 4.

- 3" x 4" Keyway To 4" x 4" Keyway.
- Tie Rod Hand Hole From 9" To 10"

REVISIONS		Br. No. - 53-01.01		Logan Co., Ohio.	
NO.	DATE	BY	SCALE	DATE	BY
1.	BEAM LENGTH	1/29 M.T.	NONE	1-21-91	M.A.T.
2.	BEAM LENGTH	1/29 J.R.R.			
3.	G.R. SPA.	1/30 M.T.			
4.					

Bloomfield Twp.
Job No. 3974
Drawing No. 54.1 of 1

P.C. #9427