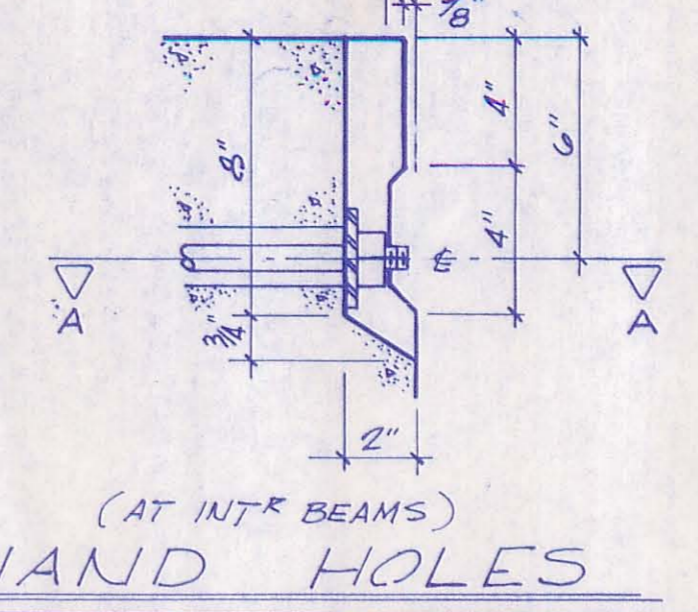
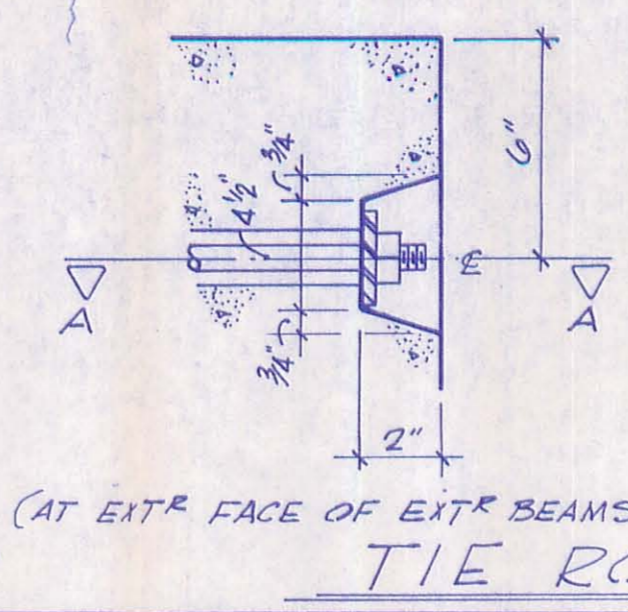
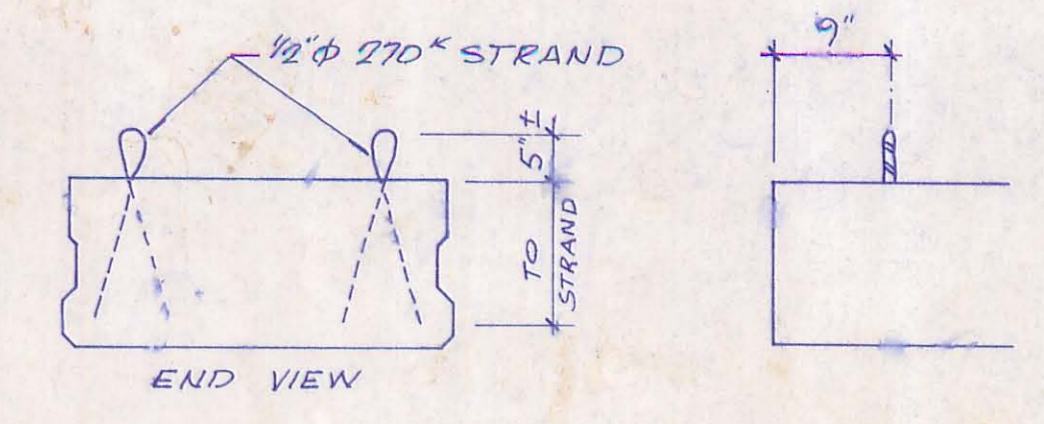


(All Reinforcing Steel Is Grade 40 Min.)  
TYP. STEEL LAYOUT

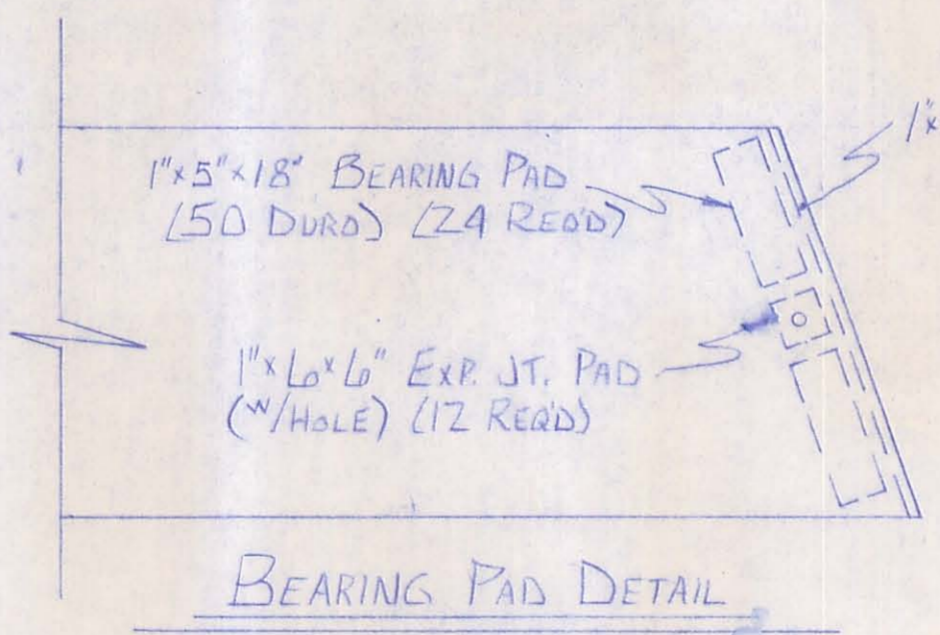
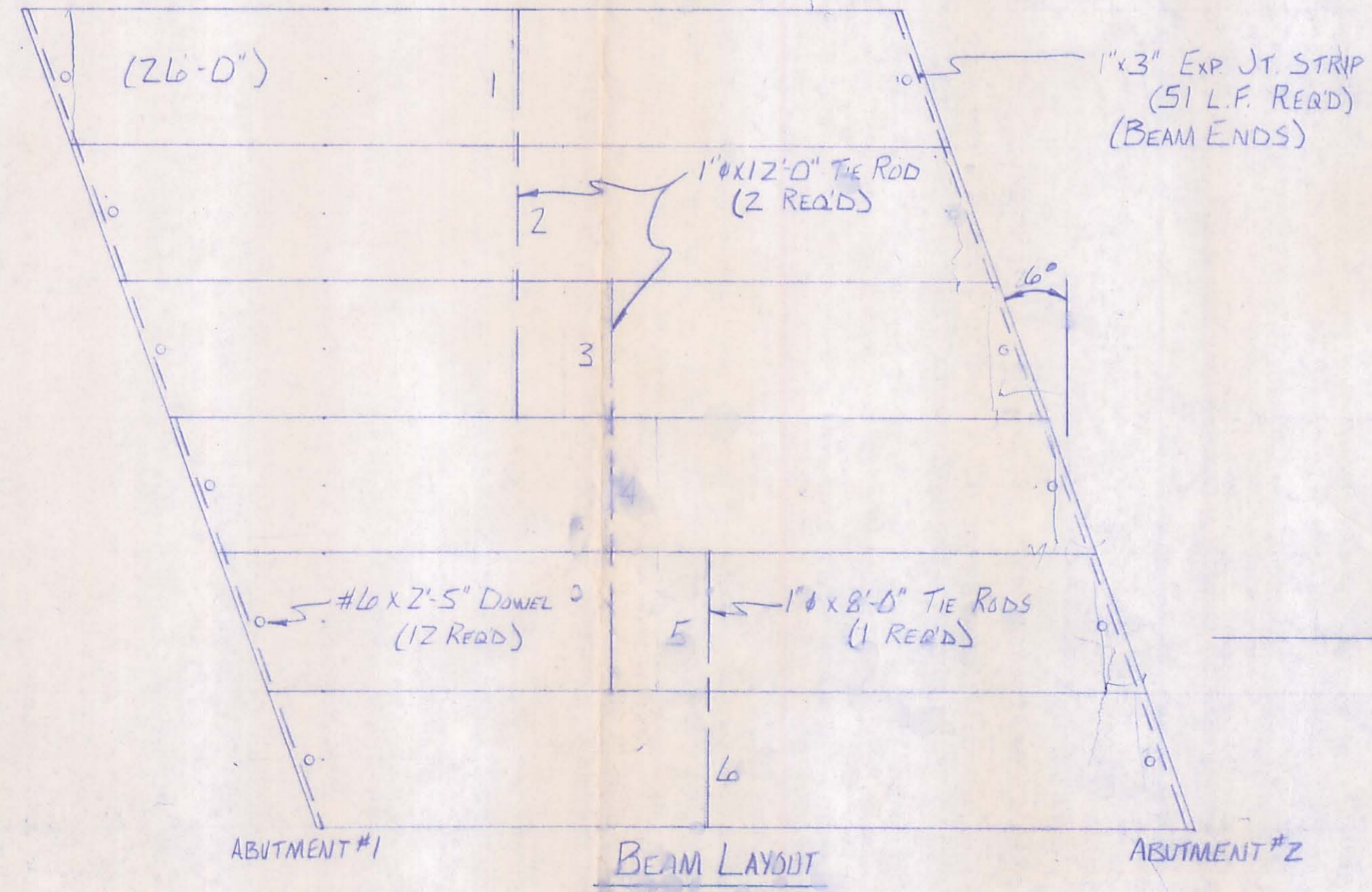
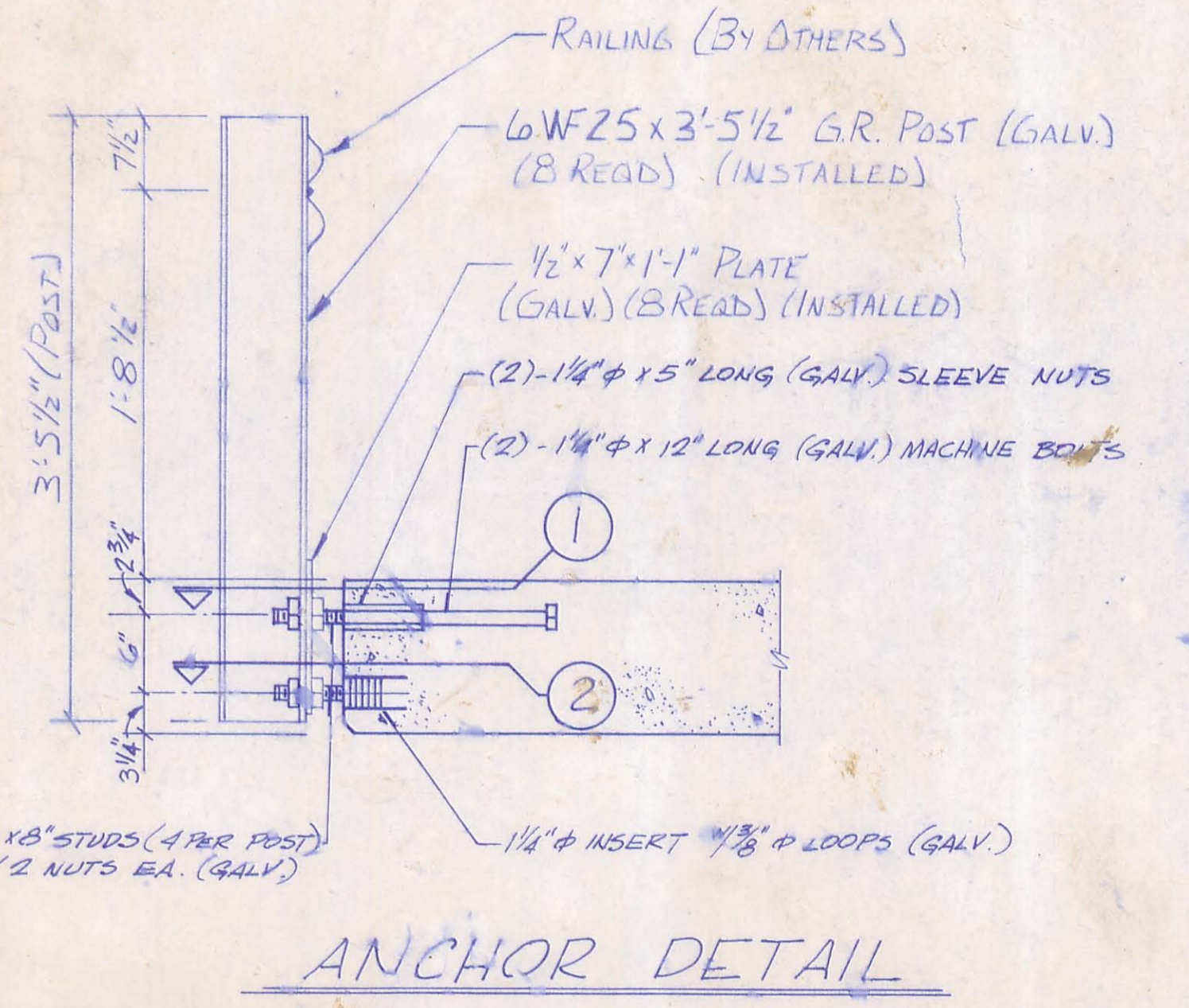
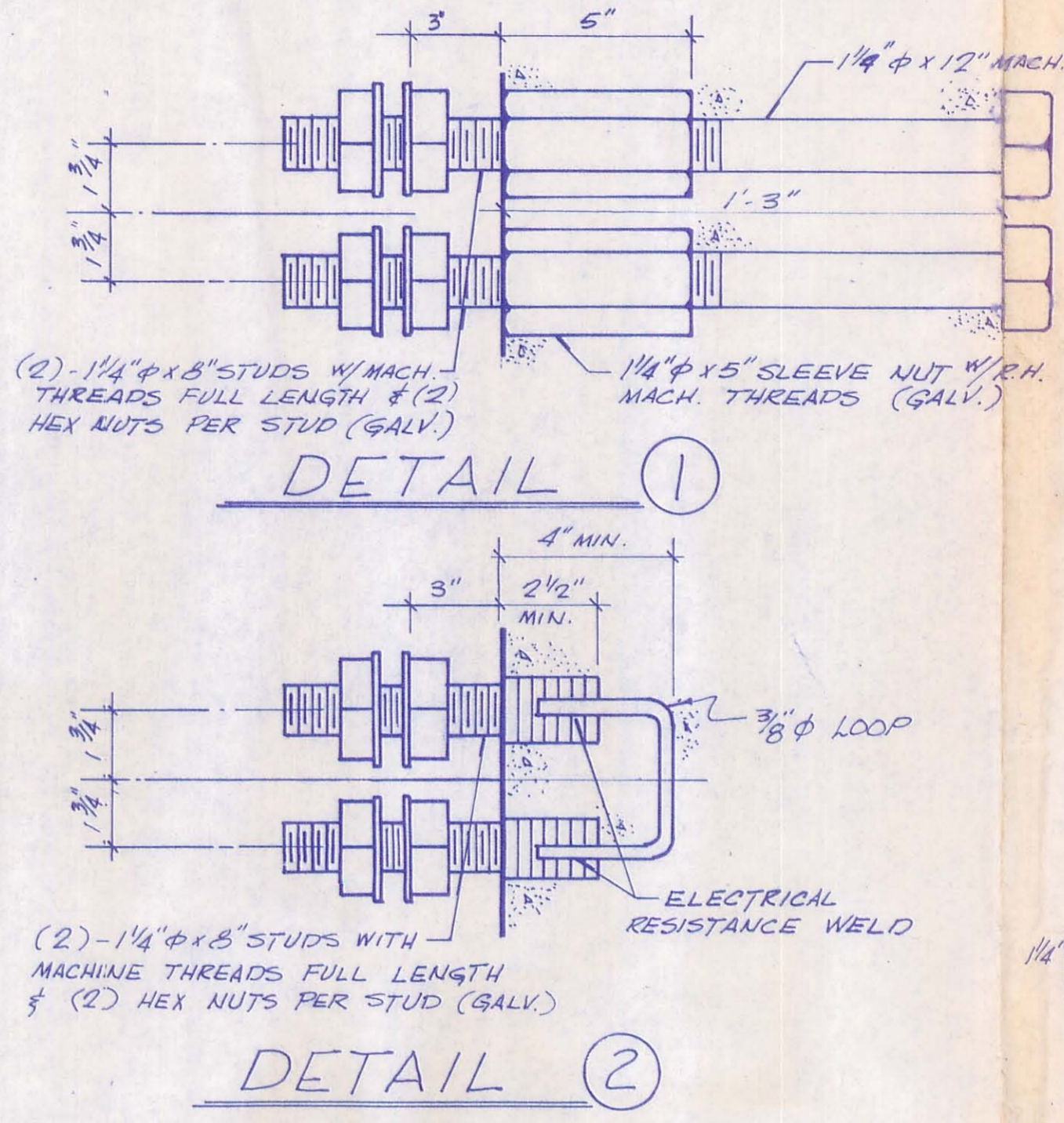
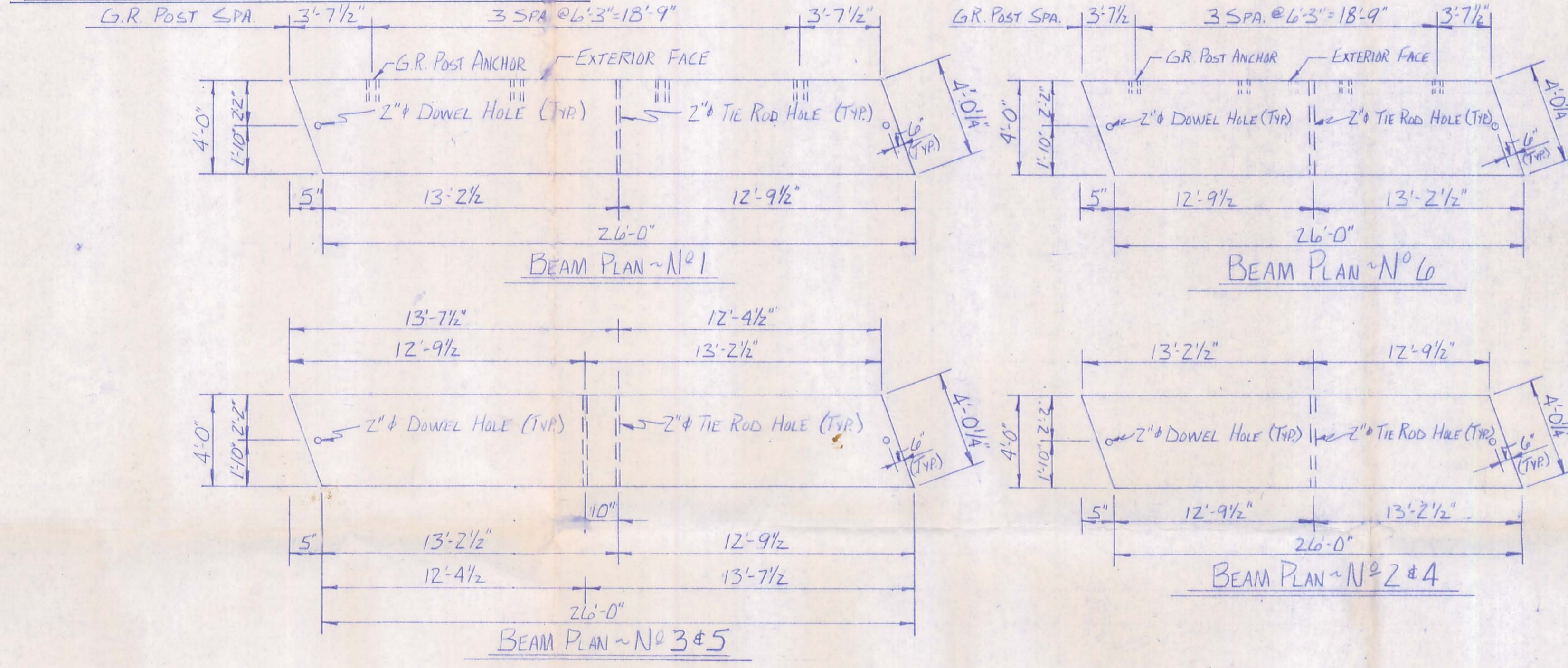


SECTION A-A



LIFTING DETAIL

TYP. CROSS SECTION



CONC. STR. AT TIME OF PRESTRESSING = 4000 PSI @ 28 DAYS = 5500 PSI.  
TENSION STRAND SYMMETRICALLY ABOUT CENTER LINE  
WATERPROOF BEAM ENDS  
MIT KEYWAY ON EXT. FACE OF EXT. BEAMS  
LOADING = HS-20-44  
BEAM WEIGHT = 15,370 lbs.  
TOP SURFACE OF BEAMS GIVEN A FLAT FLOAT FINISH.

CHANGE NOTES  
CHANGES ARE NOTED AS DIFFERENT FROM O.D.O.T. STD. DWG. RSB-1-B1 & ARE VARIED PER NOTE ON DWG. RSB0-1-B1 SH. 2 OF 4.  
3/4" KEYWAY TO 1/4" KEYWAY.  
3" TIE ROD HOLE TO 2" TIE ROD HOLE

P.C.#9184

REVISIONS		Br. No. 49-055		Logan Co., Oh.	
NO.	DATE BY	Contractor - Logan Co. Forces			
1.		SCALE	NONE		
2.		DATE	1-10-85		
3.		DRAWN BY	D.B.		
		CHECKED BY	J.R.H.		
		JOB NO.		DRAWING NO.	
		1614		SH. 1 OF 1	