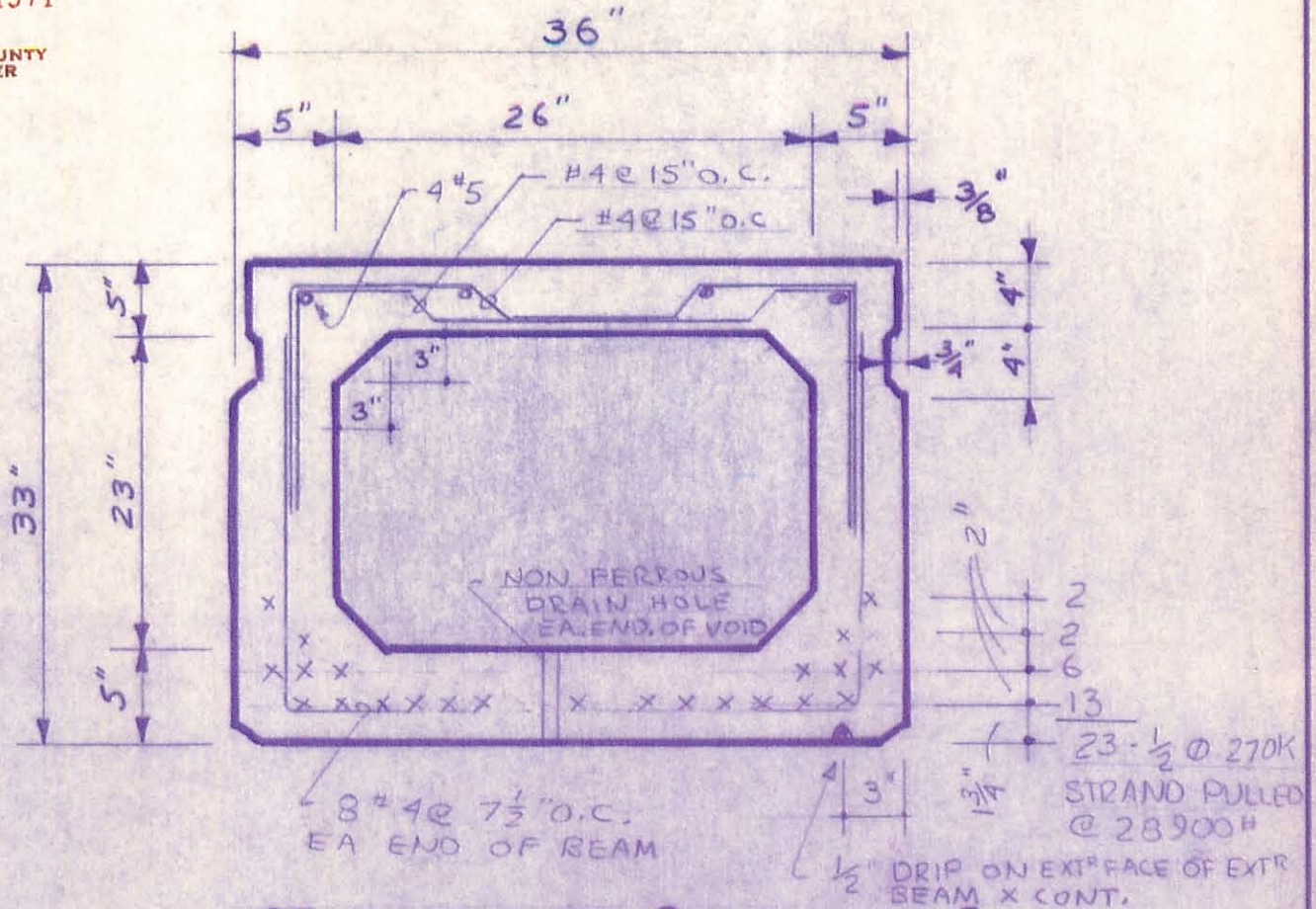


REVISED 9-24-71

RECEIVED

SEP 27 1971

LOGAN COUNTY
ENGINEER



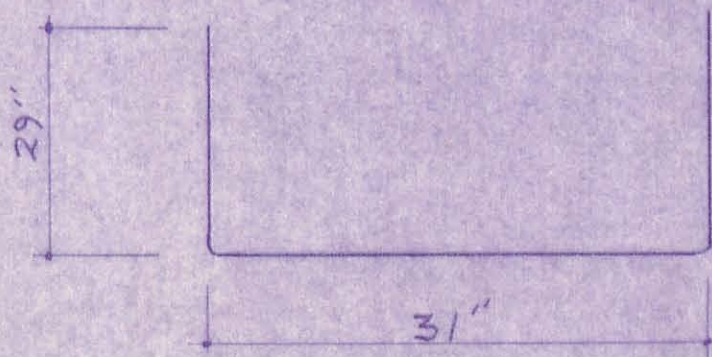
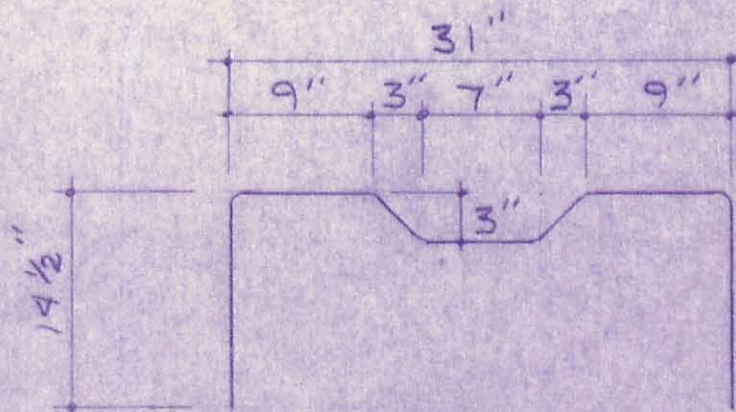
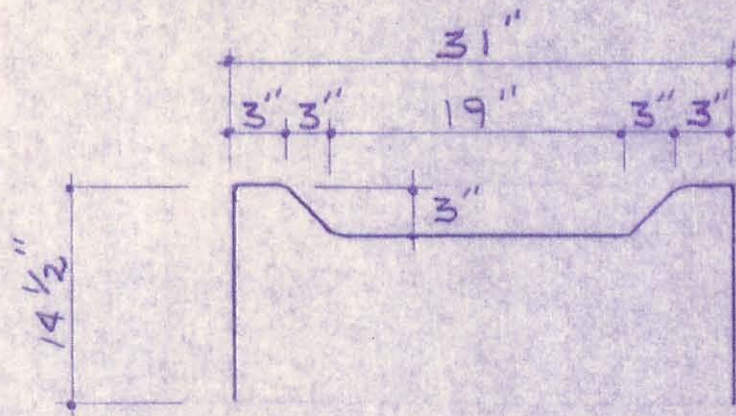
TYPICAL CROSS SECTION

NOTES:

- INITIAL PULL PER STRAND = 28900#
- CONCRETE STRENGTH AT TIME OF PRESTRESSING = 1000 PSI
- CONCRETE STRENGTH AT 28 DAYS = 5500 PSI
- DETENSION STRAND SYMMETRICALLY ABOUT C
- WATER PROOF BM. ENDS OF EXT^R BEAM
- OMIT KEYWAY ON EXT^R FACE OF EXT^R BMS.
- LOADING 5-20-60
- BM WEIGHT 51000#

CALCULATION ARE AVAILABLE UPON REQUEST

REVISIONS			LOGAN CO. BR. NO. 47-0.61			
NO.	DATE	BY	OVER MACOHEE CREEK, MONROE TWP., OHIO			
			SCALE	YOST COMPANIES, INC.		
			DATE	DECATUR		INDIANA
			DRAWN BY	JOB NO.	DRAWING NO.	
			CHECKED BY	0824	SH 1 of 8	

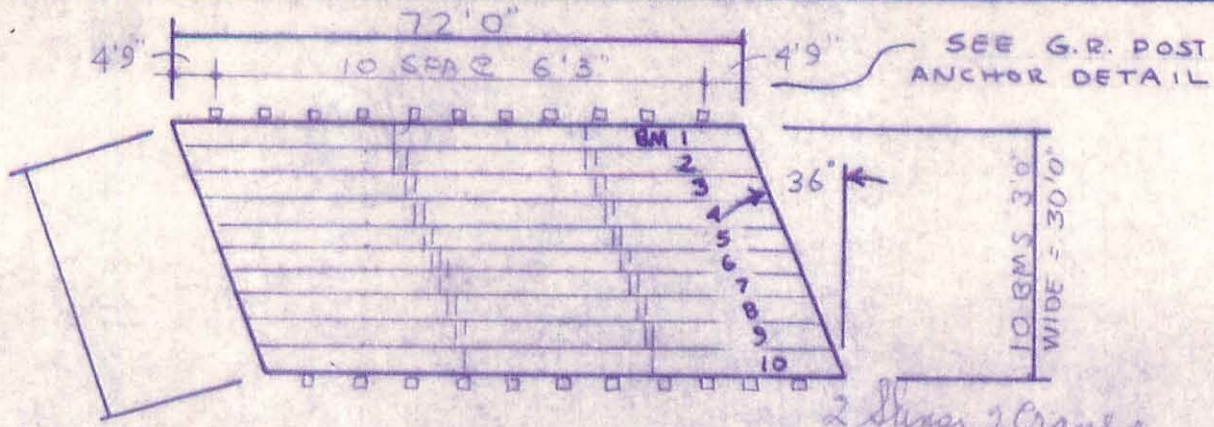


REINFORCING DETAIL

JOB NAME

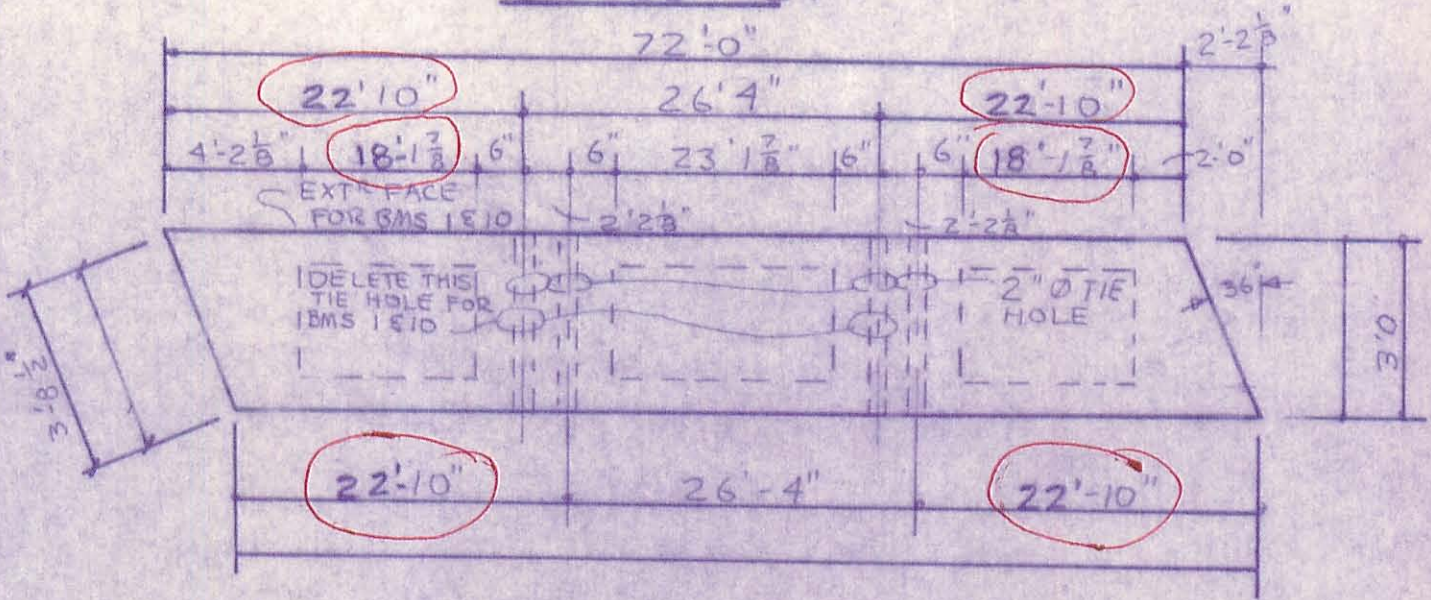
LOGAN CO. BR. N° 47-0.61 OVER MACOHEE
CREEK MONROE TWP. , OHIO

JOB NUMBER # 0824 SH. 2 OF 8



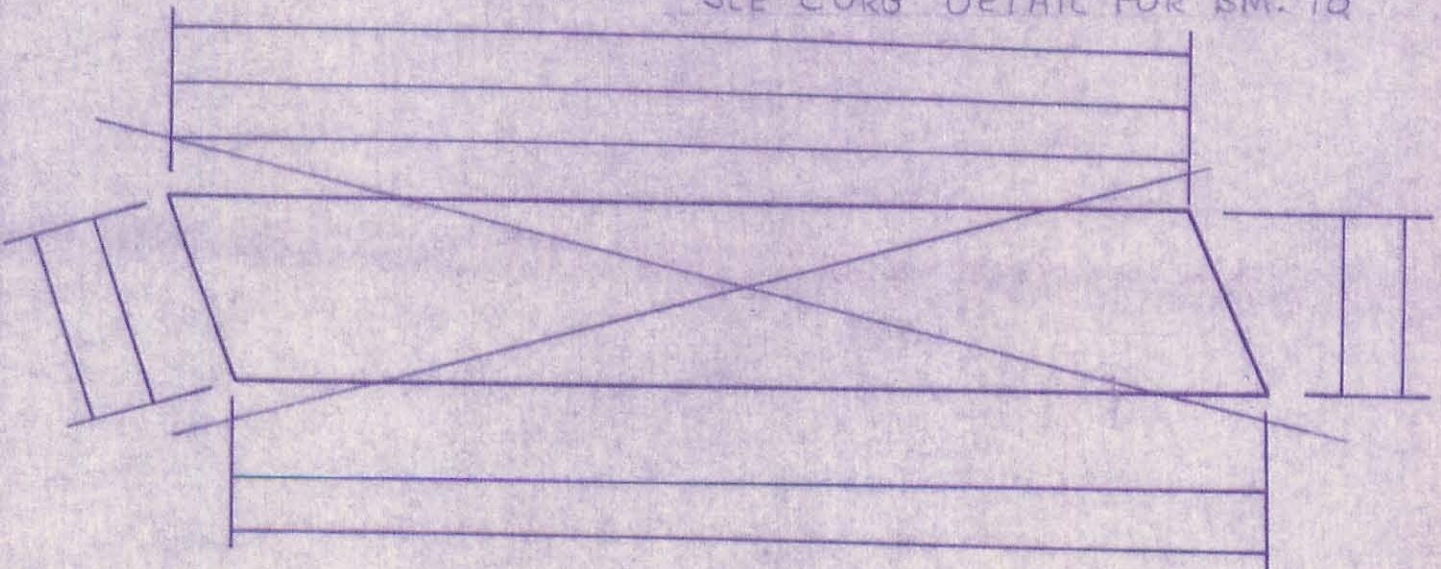
BRIDGE PLAN

2 Piers 2 Cranes



BMS 1 THRU 10

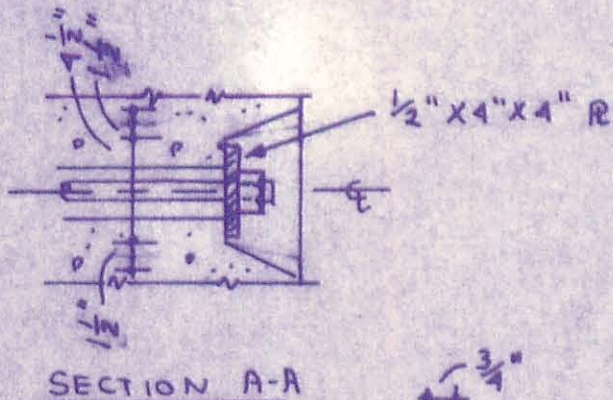
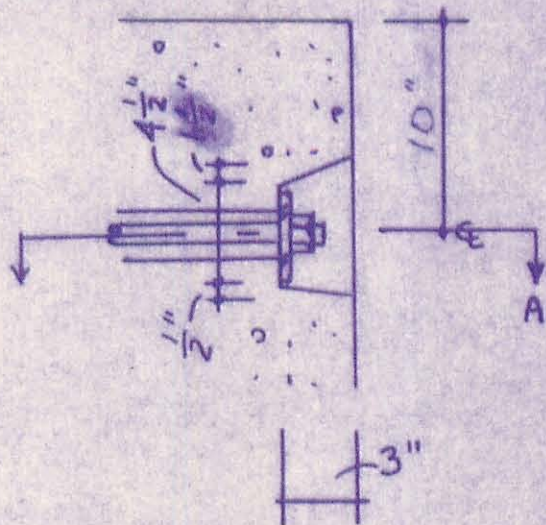
SEE CURB DETAIL FOR BM. 10



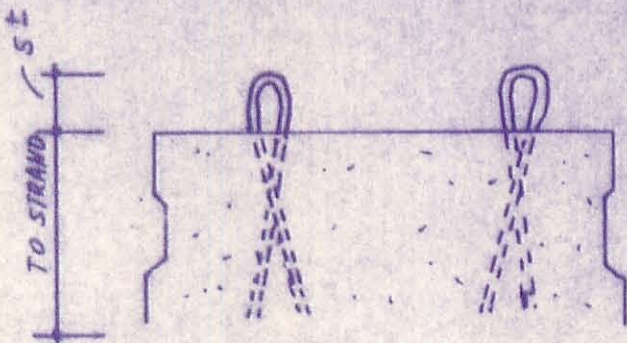
LOGAN CO.
OVER MACOHEE CREEK

0824

8-6-71

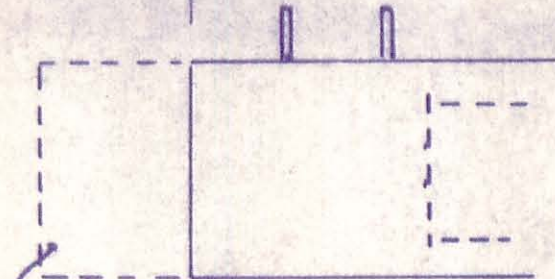


TIE ROD HAND HOLE
EXT^R FACE OF EXTR BM.



END VIEW

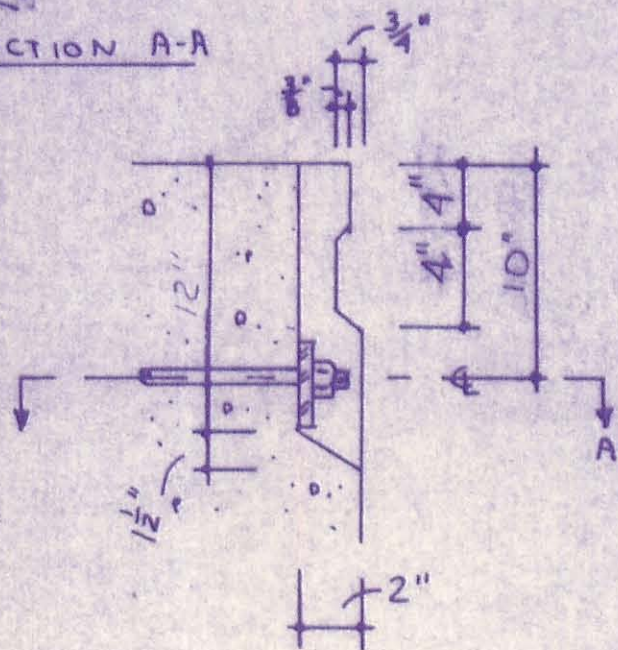
6"	1'0"	= FOR B27, B33, B42
9"	1'0"	= FOR B12, B17, B21



SKewed END.

2'0"	= FOR B27, B33, B42
1'6"	= FOR B12, B17, B21

LIFTING DETAIL



TIE ROD HAND HOLE
INTR BM.'S

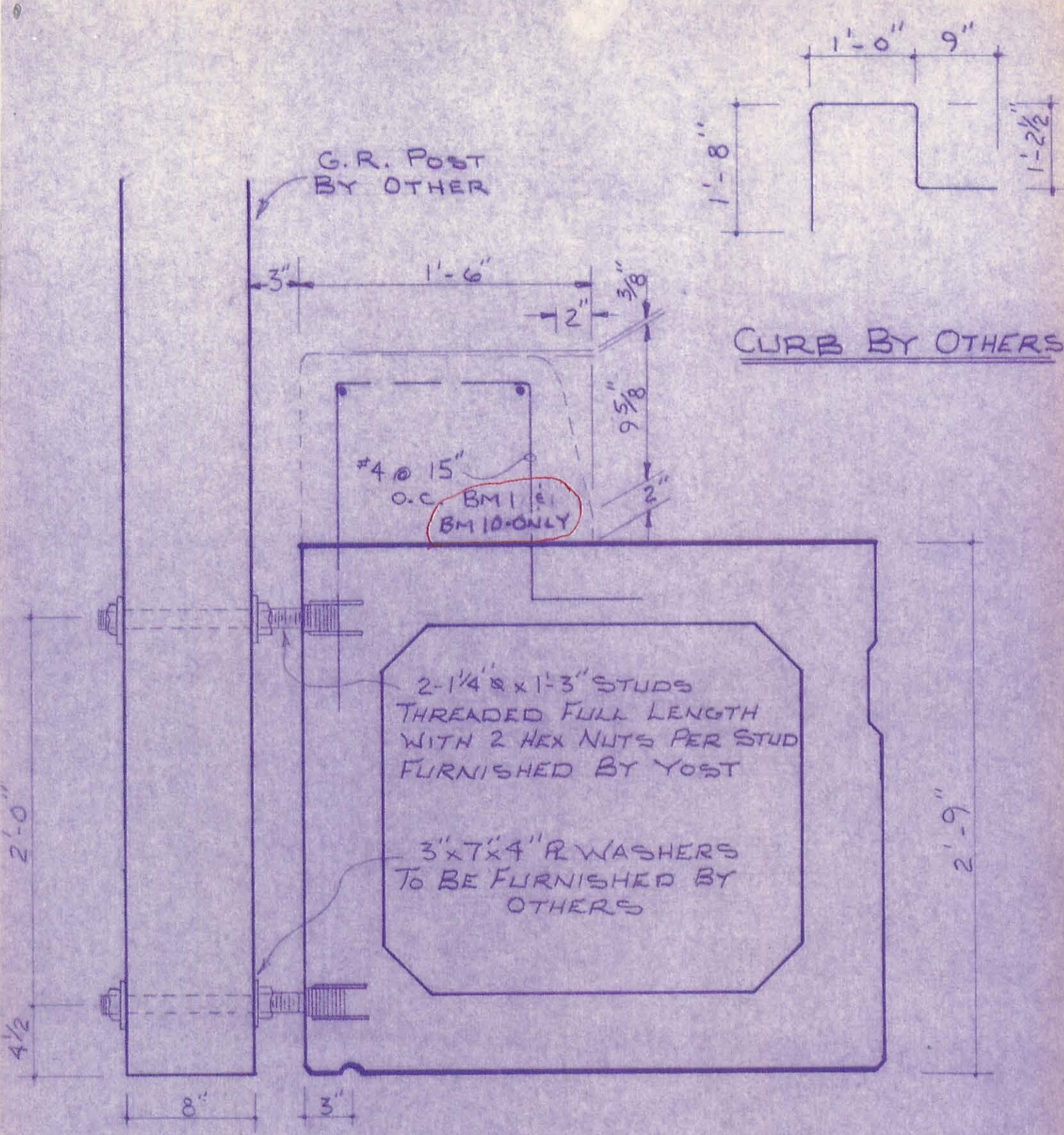
BM. DIMENSIONAL TOLERANCES

- CAMBER = $\pm \frac{1}{2} \frac{1}{8}$ "
- WIDTH = $\pm \frac{1}{4}$ "
- LENGTH = $\pm \frac{3}{4}$ "
- VOIDS - WIDTH = $\pm \frac{1}{2}$ " LENGTH = $\pm 0 - \frac{1}{2}$ "
- SKewed ENDS = $\pm \frac{3}{4}$ "
- HEIGHT = $\pm \frac{1}{8}$ "
- TIE ROD PLACEMENT = $\pm \frac{1}{2}$ "
- END SQUARENESS = $\pm \frac{1}{8}$ "

LOCAN CO. BR

JOB NAME

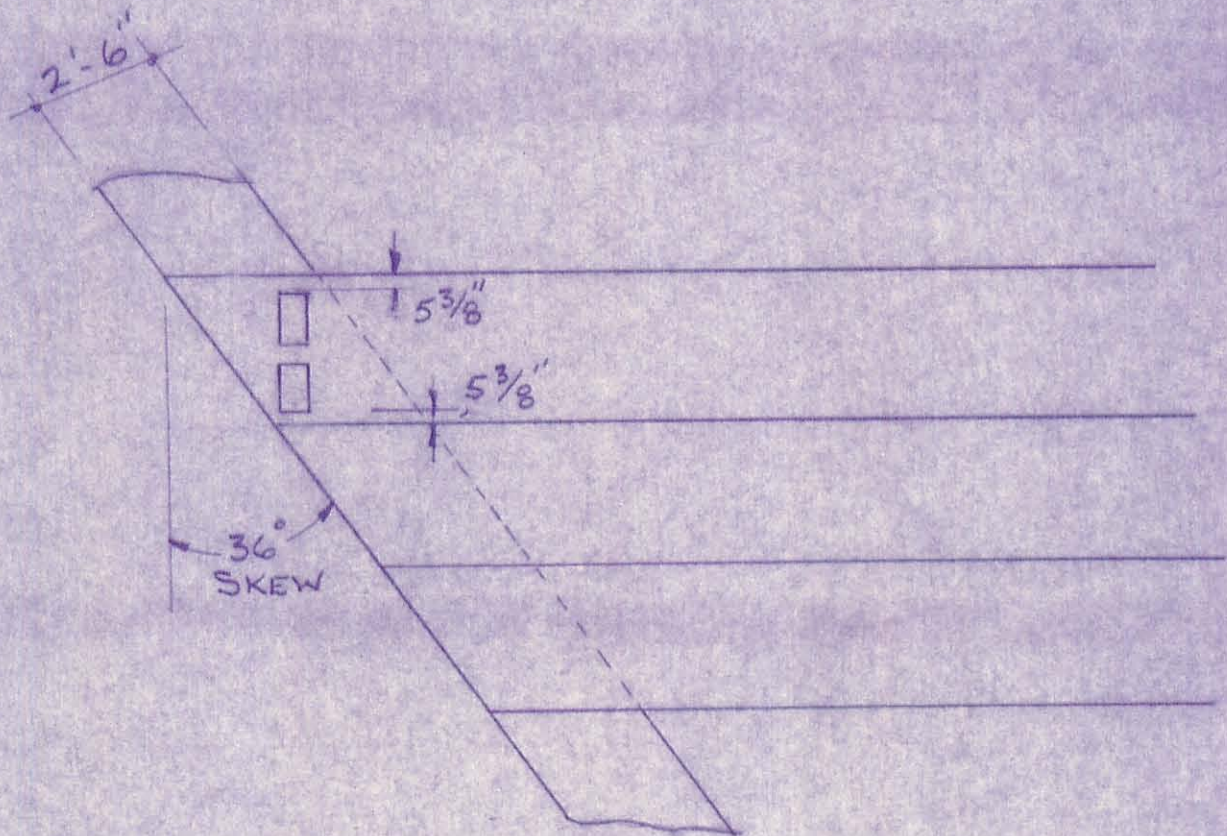
SH-4 OF 8



GUARD RAIL POST, ANCHOR BOLT & CURB STEEL DETAIL

JOB NAME

BR. #47-0.61 OVER MACOHEE CREEK
 MONROE TWP. LOGAN CO. OHIO

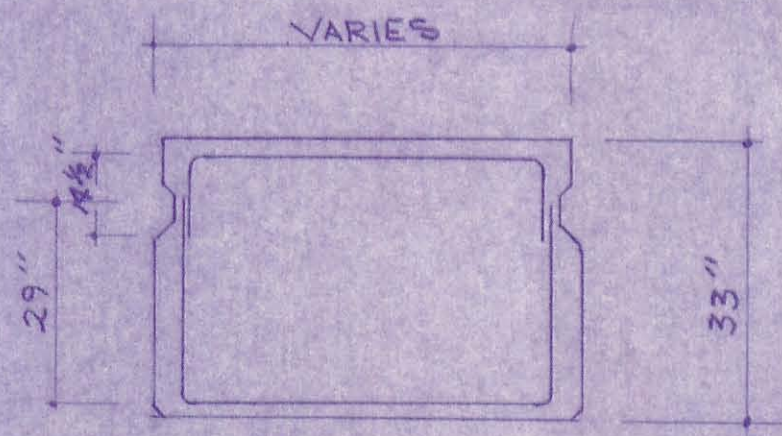
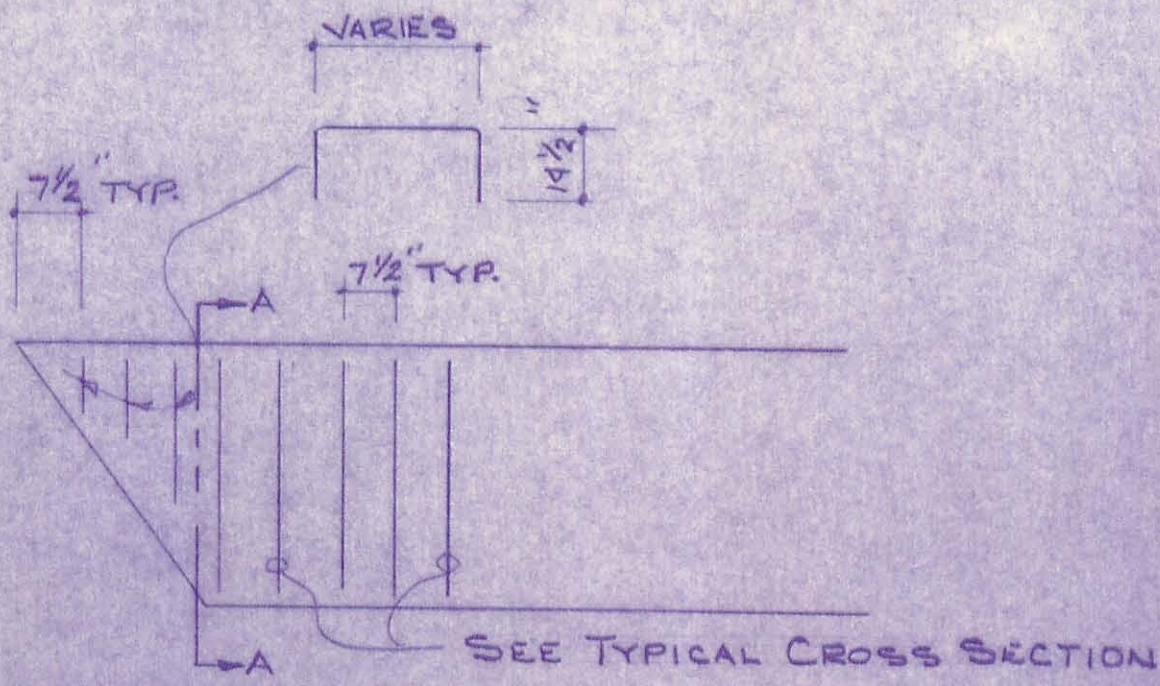


TYPE 6B BEARING PAD DETAIL

JOB NAME

LOGAN CO. BR. NO 47-0.61 OVER MACOHEE
CREEK, MONROE TWP, OHIO

JOB NUMBER 0824



SECTION A-A

JOB NAME

LOGAN CO. BR. N° 47-0.61 OVER
MACOHEE CREEK MONROE TWP OHIO

JOB NUMBER #0824

YOST COMPANIES, INC.

P. O. BOX 470 DECATUR, INDIANA 46733 PHONE 219-724-7117

MATERIAL LIST

JOB NO. 7 0829 JOB NAME & CONTRACTOR LOGAN CO. BR. NO. DATE TO SHIP _____
 DATE 8-5-71 47-0.61 OVER MACHES DATE ACCESS. DUE _____
 ** INSTALL BEFORE SHIPPING CREEK, MONROE TWP., OHIO. DATE VOIDS DUE _____

ITEM	DESCRIPTION	LINEAL FT. OF QUANTITY	WEIGHT EACH ITEM	ITEM	DESCRIPTION	RUNNING OR LINEAL FT. QUANTITY	WEIGHT EACH ITEM
BRIDGE BEAMS	3' X 33" X 72'	10	51000 ^{HL}	VOIDS	23" X 26" X 23'-1 7/8"	10	B.A.
EXPANSION JOINT	1 3/4" X 2"	74'	B.A.		23" X 26" X 18'-1 7/8"	20	B.A.
NEOPRENE PADS	IND TYP. 6 B. SEE SH 6 OF 6	40	G.A.	H-FILLING	INTERPLAST "C"	20 [#]	B.A.
TIE RODS GALV.	1" Ø X 6'0"	118	G.A.	MUD WALLS	JUTE	50'	B.A.
TIE ROD							
PL WASHERS GALV.	5" X 4" X 4"	36	G.A.	WING WALLS			
DOWEL RODS GALVANIZED				ANGLES			
GUARD RAIL GALVANIZED	NONE						
C. R. POSTS	NONE						
C. R. STUDS							
W/2 GALV. HEX NUTS	1 1/4" Ø X 1 1/8"	88	G.A.				
DRAINS	NONE						

YOST COMPANIES, INC.

R #1 P. O. Box 470
 DECATUR, INDIANA 46733

Phone (219) 724-7117

LETTER OF TRANSMITTAL

DATE	Sept. 24, 1971	JOB NO.
ATTENTION		
RE:		

TO Chester R. Kurtz, Logan Co. Engr.
P. O. Box 427
Bellefontaine, Ohio 43311

GENTLEMEN:

WE ARE SENDING YOU Attached Under separate cover via _____ the following items:
 Shop drawings Prints Plans Samples Specifications
 Copy of letter Change order _____

COPIES	DATE	NO.	DESCRIPTION
1			Revised prints on Logan Co. Br. No. 47-0.61

THESE ARE TRANSMITTED as checked below:

- For approval
- For your use
- As requested
- For review and comment
- FOR BIDS DUE _____ 19_____
- Approved as submitted
- Approved as noted
- Returned for corrections
- _____
- Resubmit _____ copies for approval
- Submit _____ copies for distribution
- Return _____ corrected prints
- PRINTS RETURNED AFTER LOAN TO US

REMARKS Mr. Kurtz, Enclosed find revised prints on Logan Co. job. The corrections are marked in red.

Beams Set Fri. Oct. 1, 1971 - D.C.D.

RECEIVED

SEP 27 1971

Samuel J. Yost, Vice-President

COPY TO _____

LOGAN COUNTY ENGINEER

SIGNED: *R. Eisenmann*

If enclosures are not as noted, kindly notify us at once. **Roger Eisenmann**