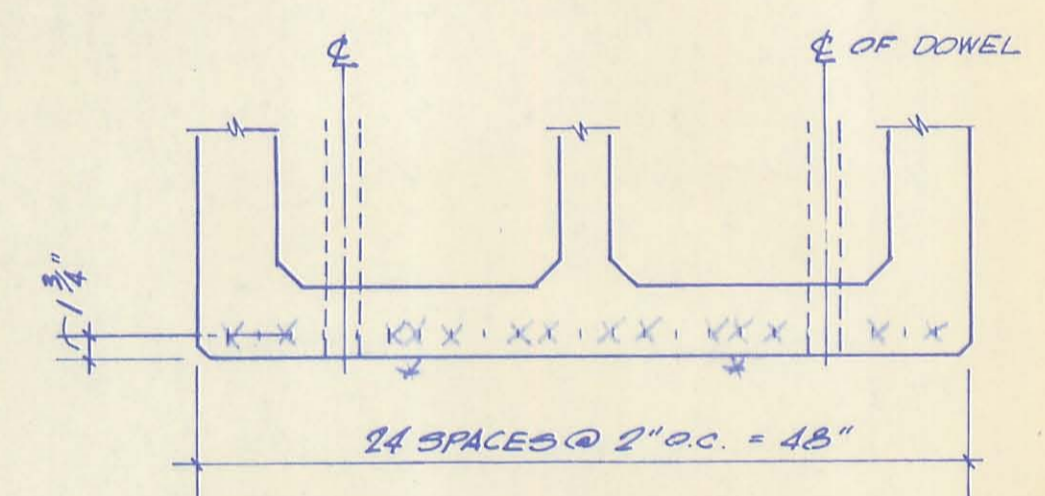
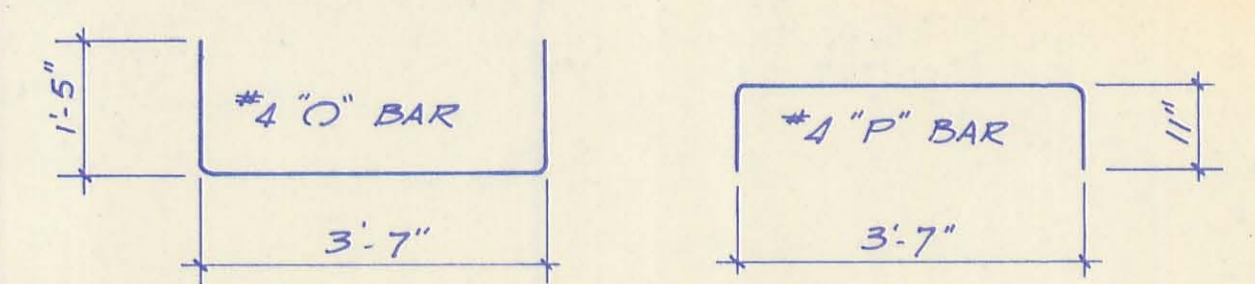


TYP. CROSS SECTION

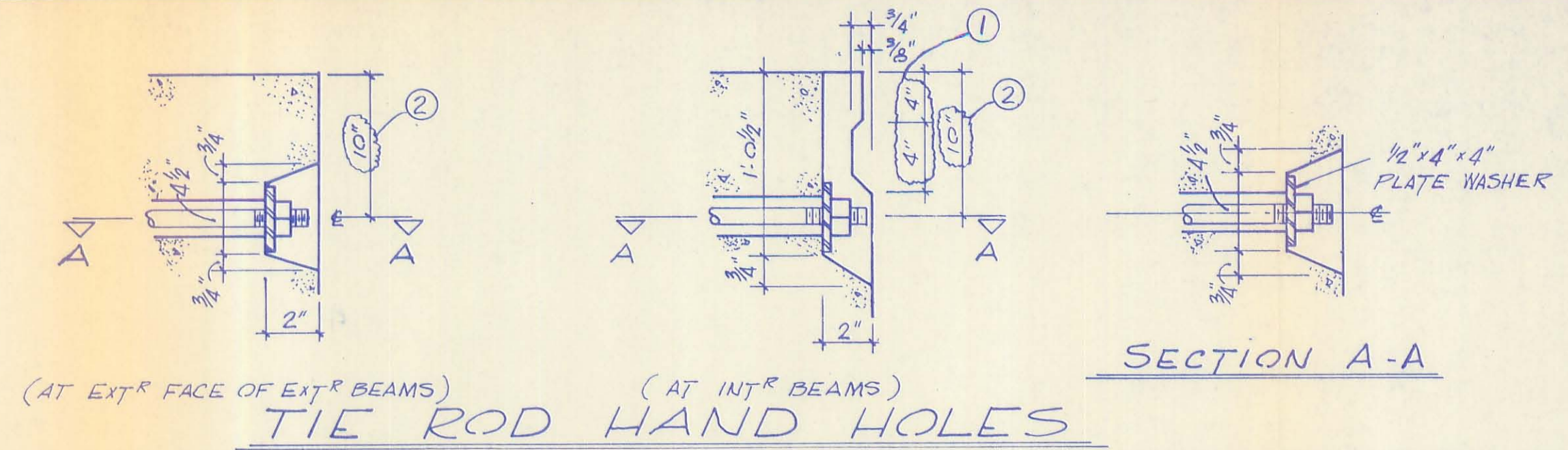


14 1/2" φ STRANDS - 7 WIRE - 270K PULL @ 23,000#
BREAK BOND ON - 2 @ 1 1/2"

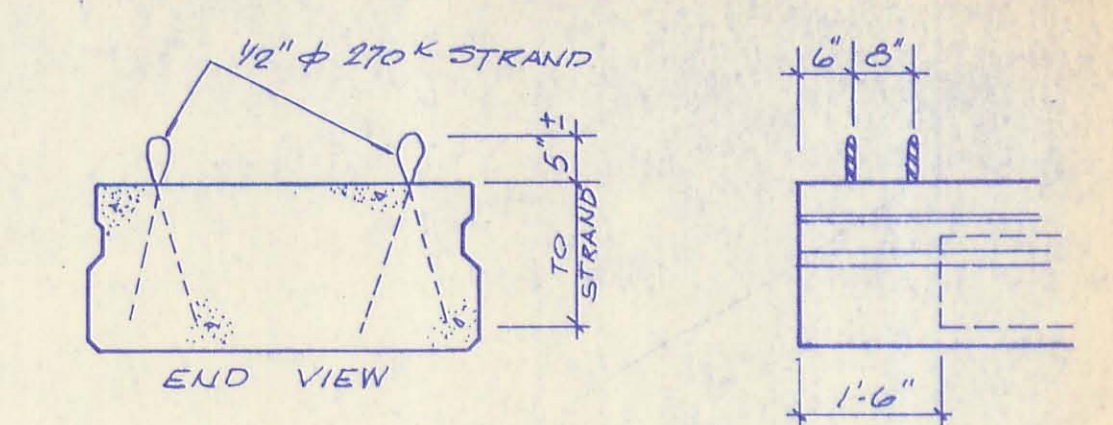
TYP. STRAND PATTERN



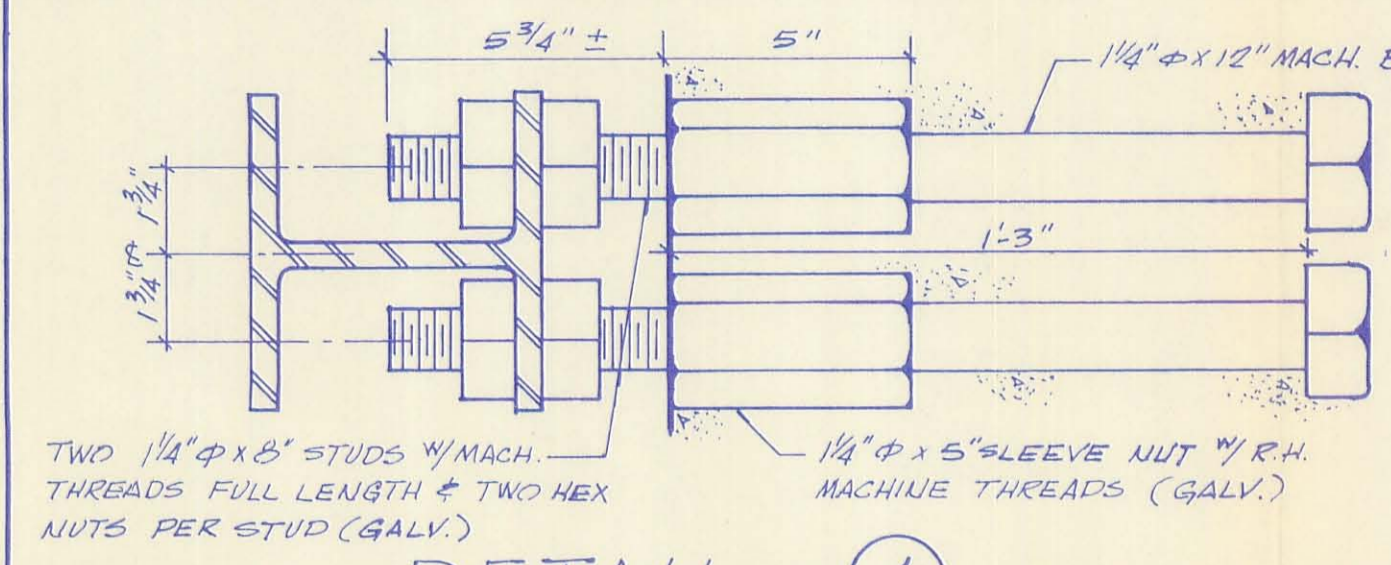
TYP. STEEL LAYOUT



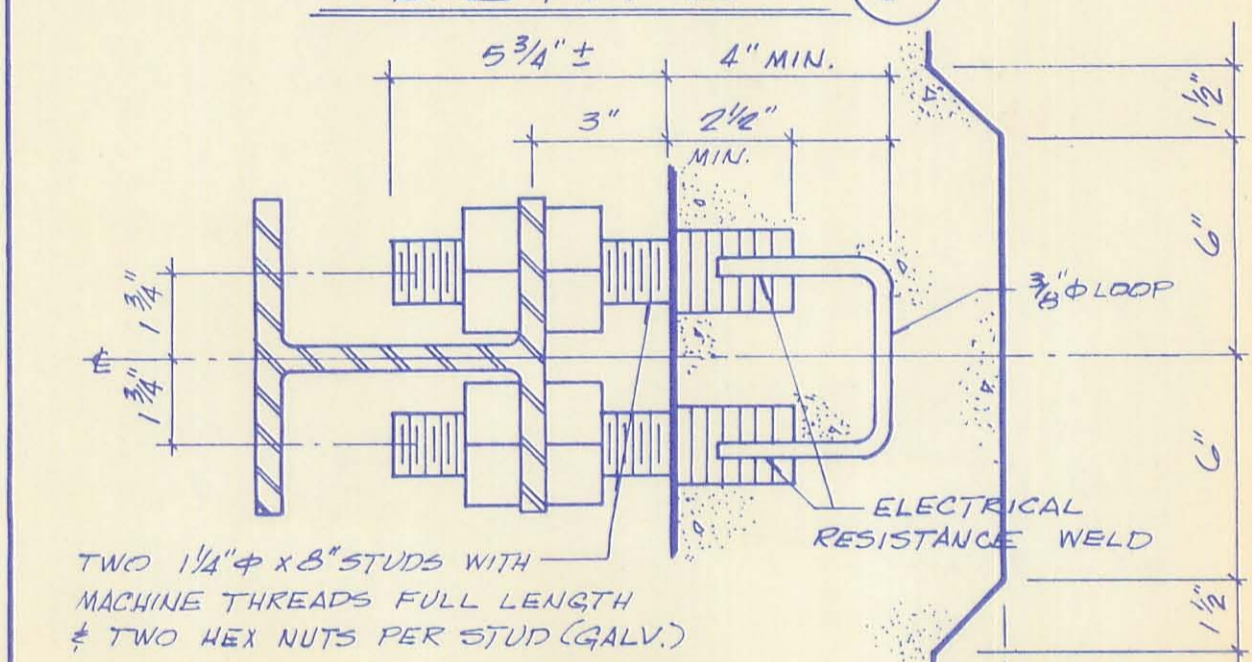
TIE ROD HAND HOLES



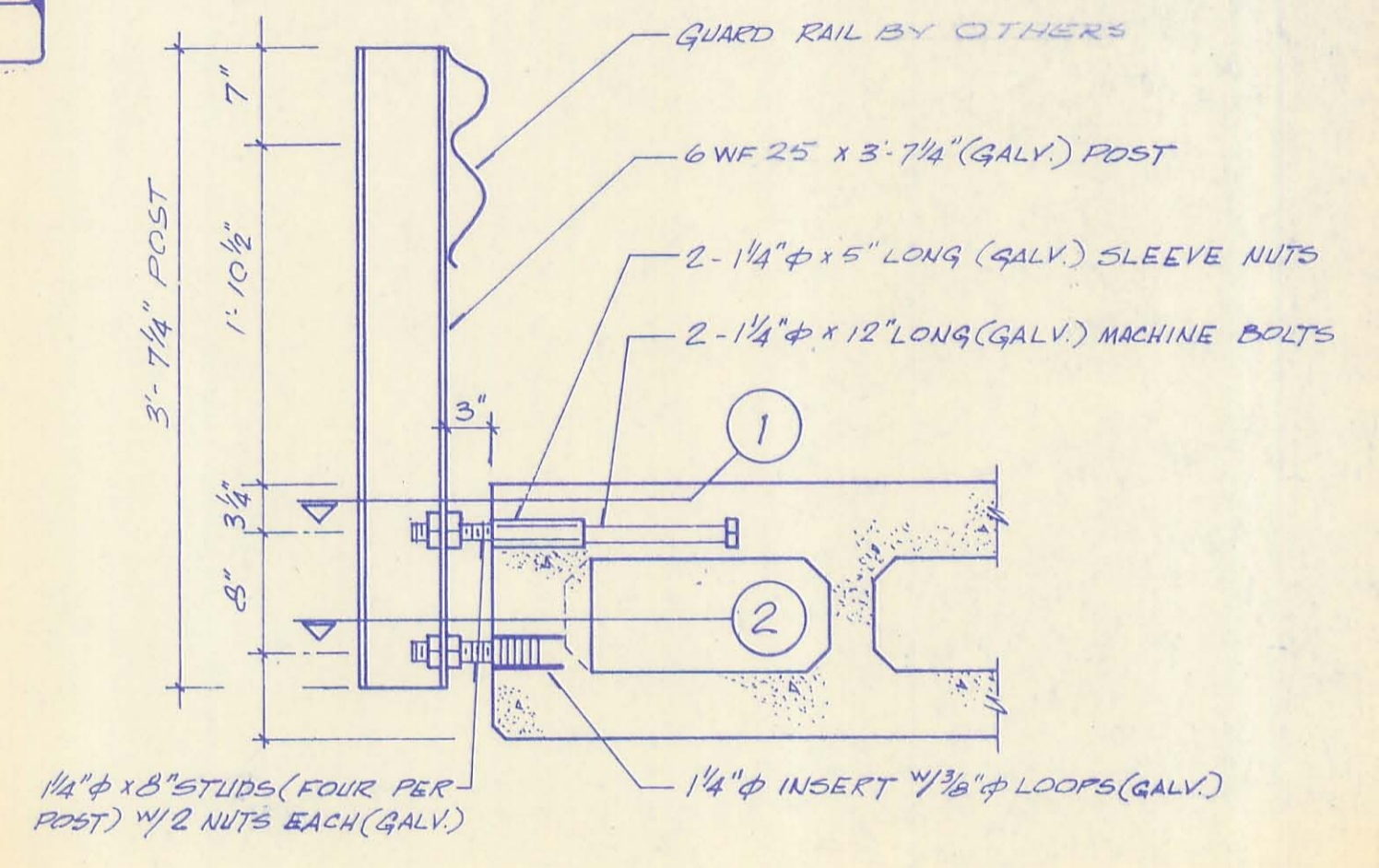
LIFTING DETAIL



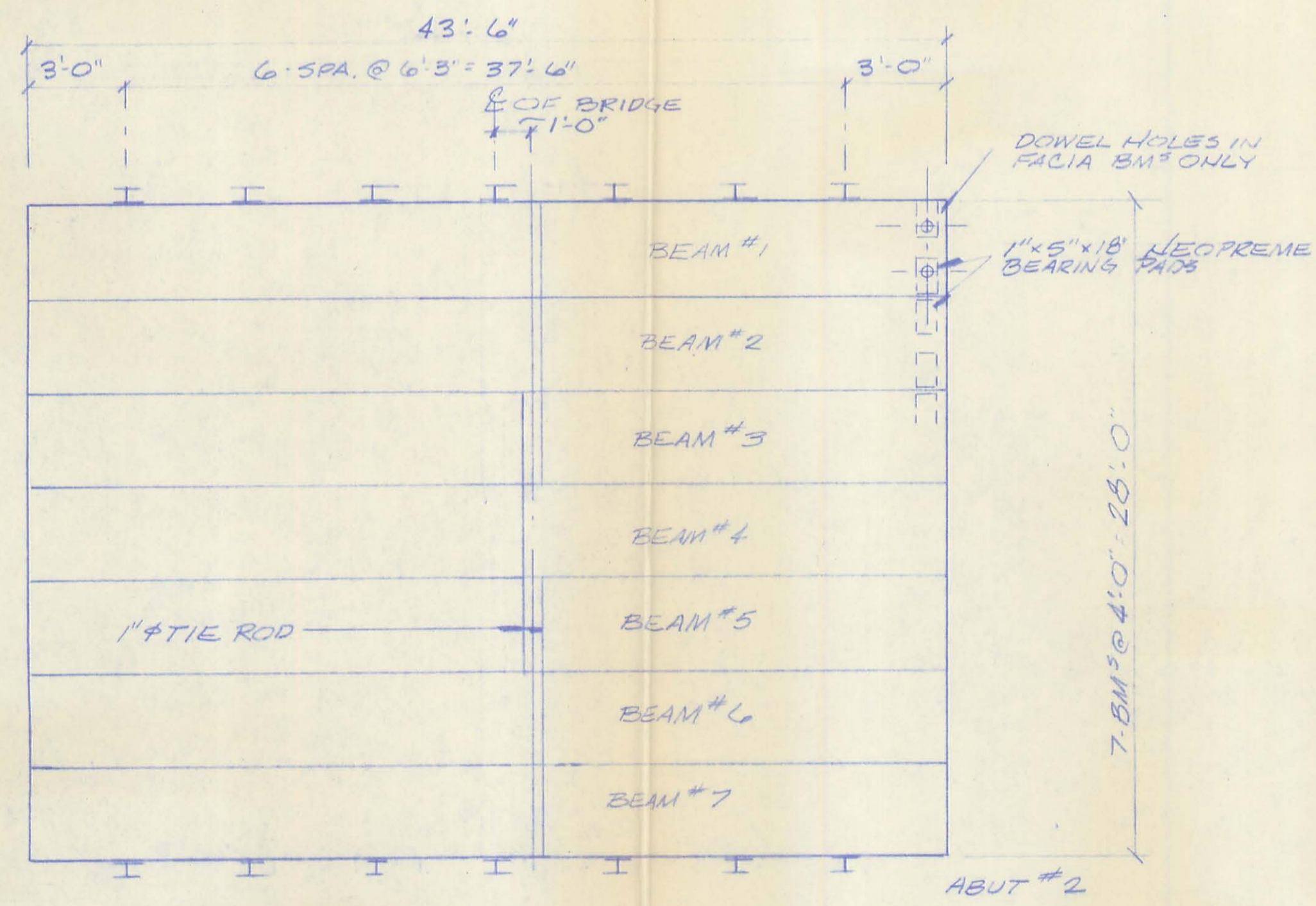
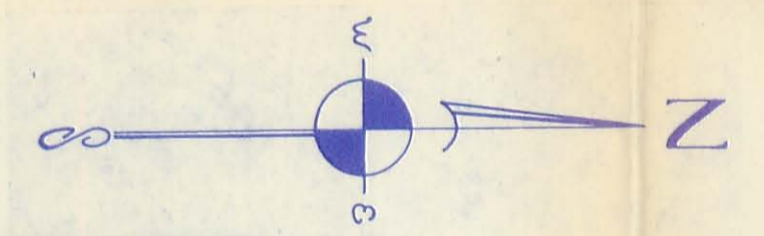
DETAIL 1



DETAIL 2

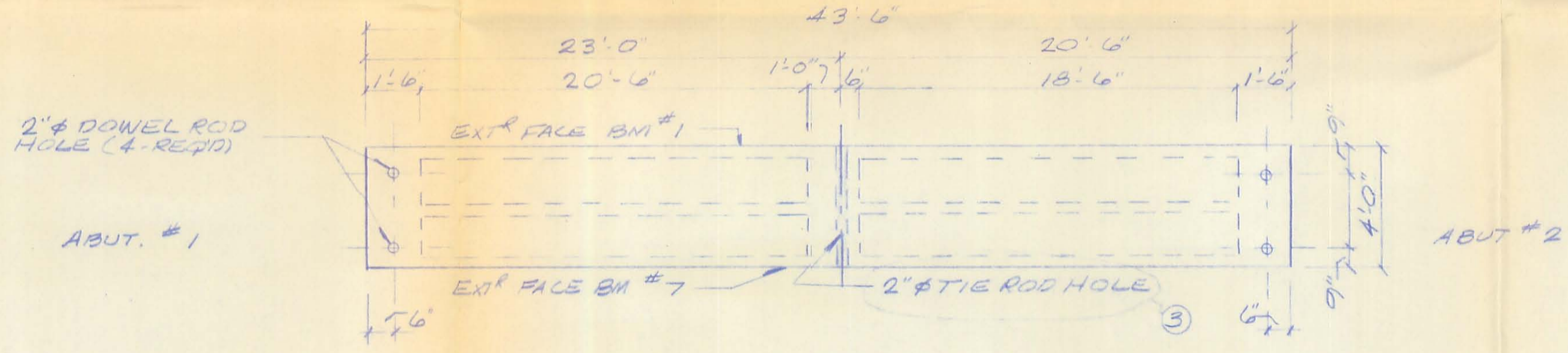


POST & ANCHOR DETAIL

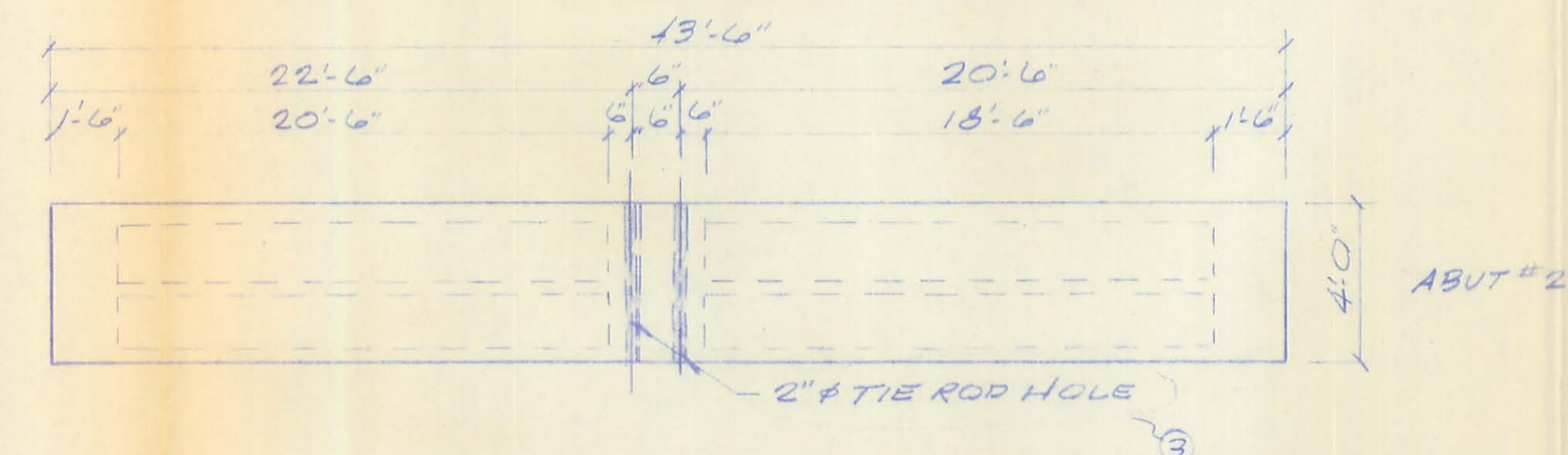


BRIDGE PLAN

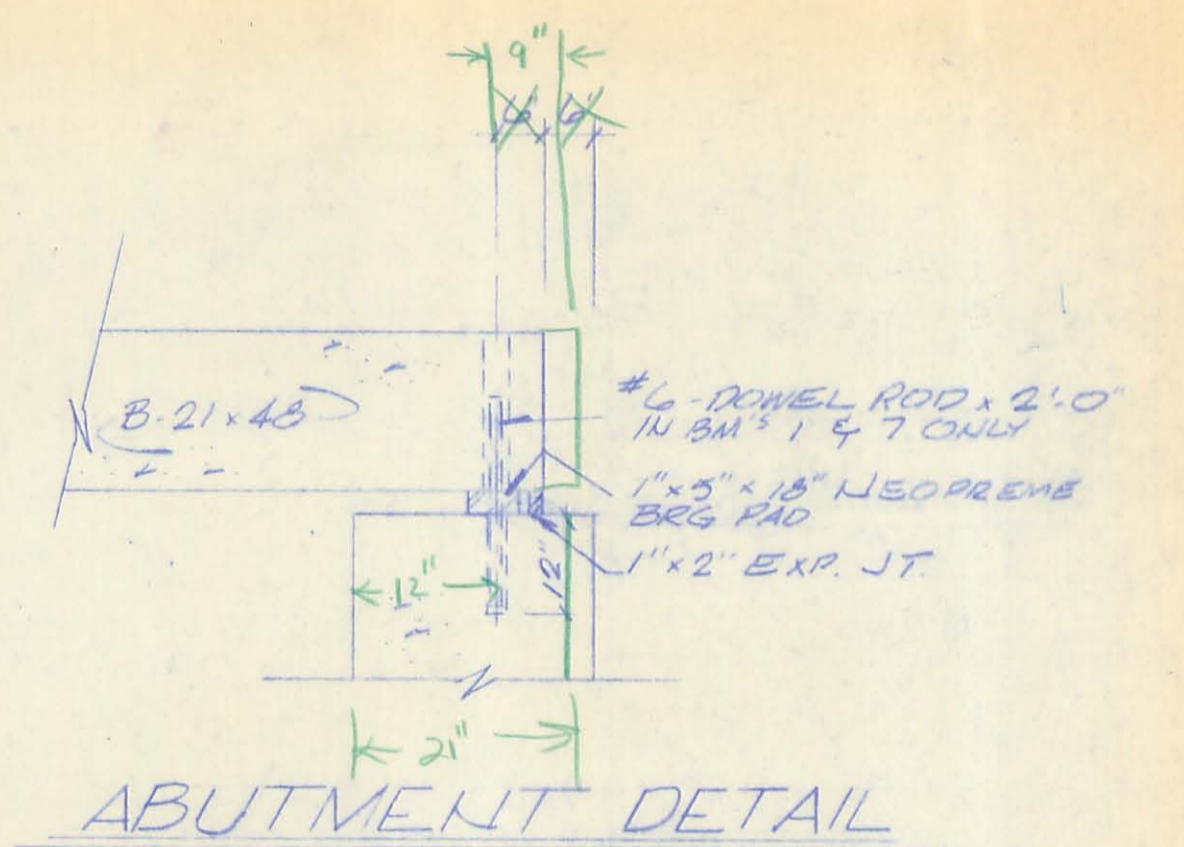
21" x 4' PRESTRESSED CONCRETE BOX BEAMS



PLAN BM'S 1 & 7



PLAN BM'S 2,3,4,5,6



ABUTMENT DETAIL

- NOTES:
1. CONC. STR. AT TIME OF PRESTRESSING = 4000 PSI. @ 28 DAYS = 5500 PSI.
 2. DETENSION STRAND SYMMETRICALLY ABOUT CENTER LINE
 3. WATERPROOF BEAM ENDS.
 4. OMIT KEYWAY ON EXTR FACE OF EXTR BEAMS.
 5. LOADING = HS-20-44
 6. BEAM WEIGHT = 29,300#

- CHANGE NOTES:
1. 3 1/4" KEYWAY TO 4 1/4" KEYWAY.
 2. TIE ROD HAND HOLE FROM 9" TO 10".
 3. 3" φ TIE ROD HOLE TO 2" φ TIE ROD HOLE.

REVISIONS			Br. # 198-2.34 Logan Co. Ohio	
NO.	DATE	BY	CONTR. LOGAN CO. OHIO	
1.			SCALE	NONE
2.			DATE	9-19-75
3.			DRAWN BY	MO
4.			CHECKED BY	MS

JOB NO.	DRAWING NO.
2464	SH. 1 of 1

YOST COMPANIES, INC.

P. O. BOX 470 DECATUR, INDIANA 46733

PHONE 219-724-7117

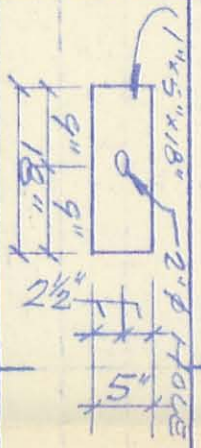
MATERIAL LIST

JOB NO. 2464 JOB NAME & CONTRACTOR BR # 198-234 LOGAN DATE TO SHIP 10-8-75

DATE 9-19-75 5-IN STOCK CO. OHIO DATE ACCESS. DUE 10-5-75

**** INSTALL IN BEAM** **** INSTALL BEFORE SHIPPING** CONTR: LOGAN CO. FORCES DATE VOIDS DUE ASAP

ITEM	DESCRIPTION	LINEAL FT. OF QUANTITY	WEIGHT EACH ITEM	ITEM	DESCRIPTION	RUNNING OR LINEAL FT. QUANTITY	WEIGHT EACH ITEM
BRIDGE BEAMS	21" x 48" x 43'6"	7	29,300	VOIDS	11 1/2" x 17 1/2" x 8'0"	70	MO
INTERPLAST "C"	—	10 #	BA				
JUTE	—	20'	BA				
EXPANSION JOINT	1" x 2" x CONT	56 LF	BA				
NO HOLES				H-PIILING			
NEOPRENE PADS	1" x 5" x 18"	20	BA	MUD WALLS	NONE		
WT 1 HOGE	1" x 5" x 18"	8	BA				
TIE RODS (GALV)	1" φ x 12'-0"	3	5	WING WALLS	NONE		
TIE ROD	1/2" x 4" x 4"	6	5				
PL WASHERS (GALV)	#6 x 2'-0"	8	08	ANGLES	NONE		
DOWEL RODS							
GALVANIZED GUARD RAIL	BY OTHERS			MACH BOLT	1 1/4" φ x 12" GALV	28	* 5
GALVANIZED G. R. POSTS	6WF 25 x 8' 7 1/4"	14	** 5	SLEEVE	1 1/4" φ x 5" GALV	28	* 5
G. R. STUDS	1 1/4" φ x 8"	56	** 5	INSERTS	1 1/4" φ TYPE GALV	14	* 5
W/2 GALV. HEX NUTS							
DRAINS	NONE						



SEP 19 1975