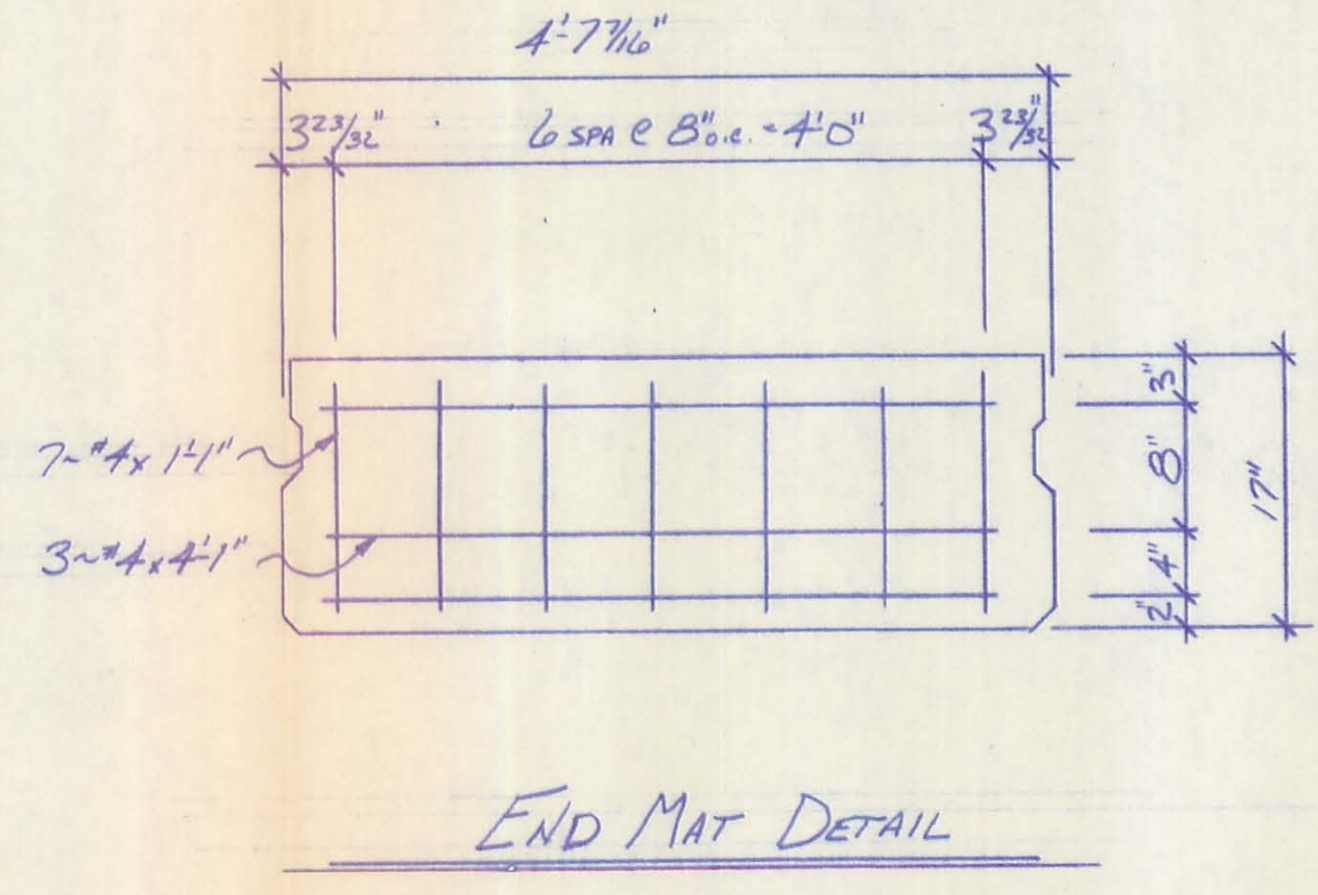
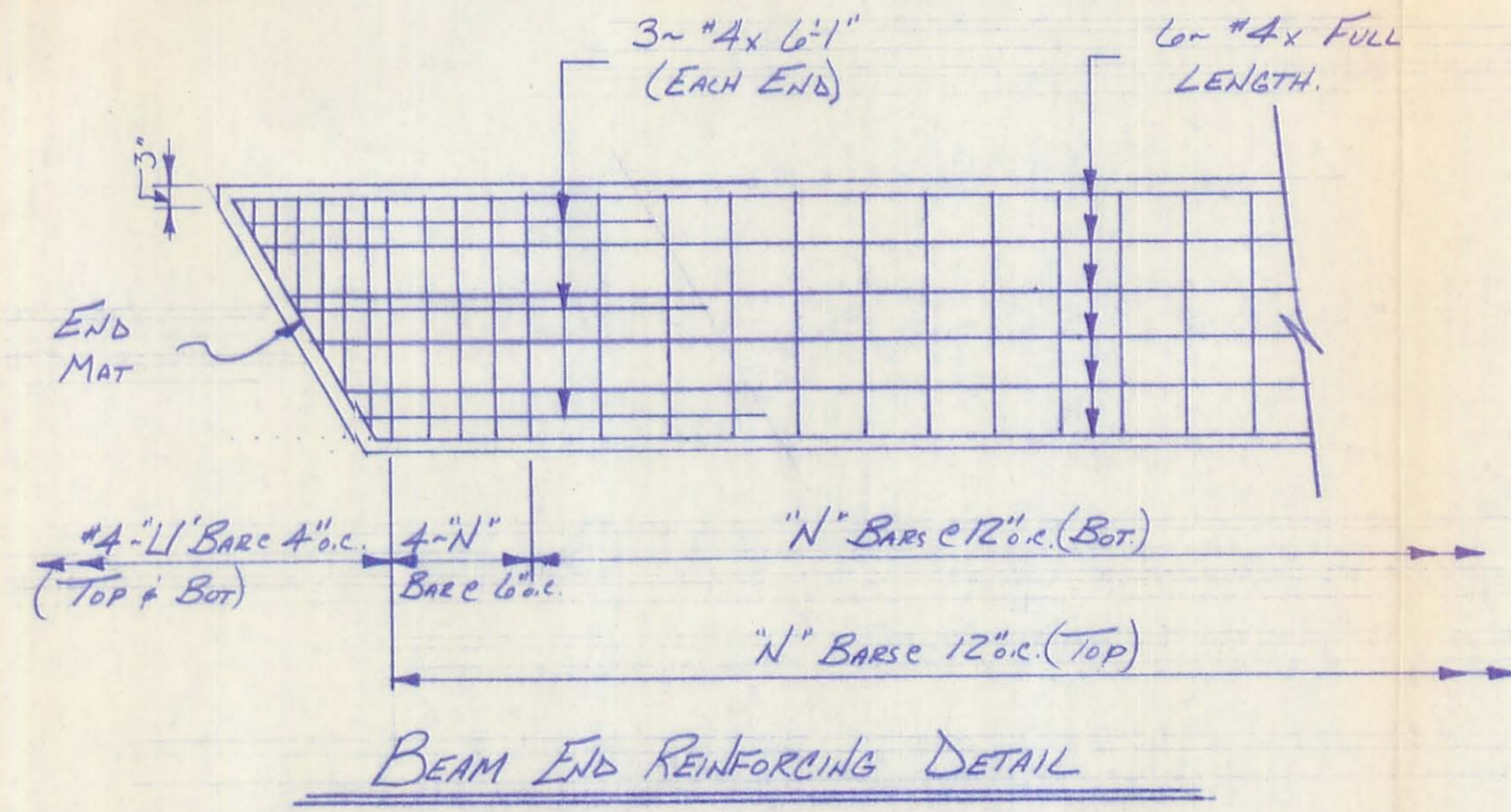
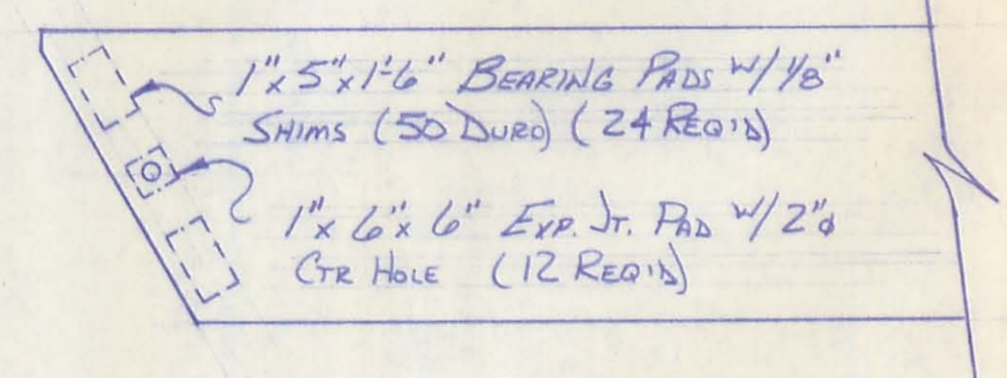
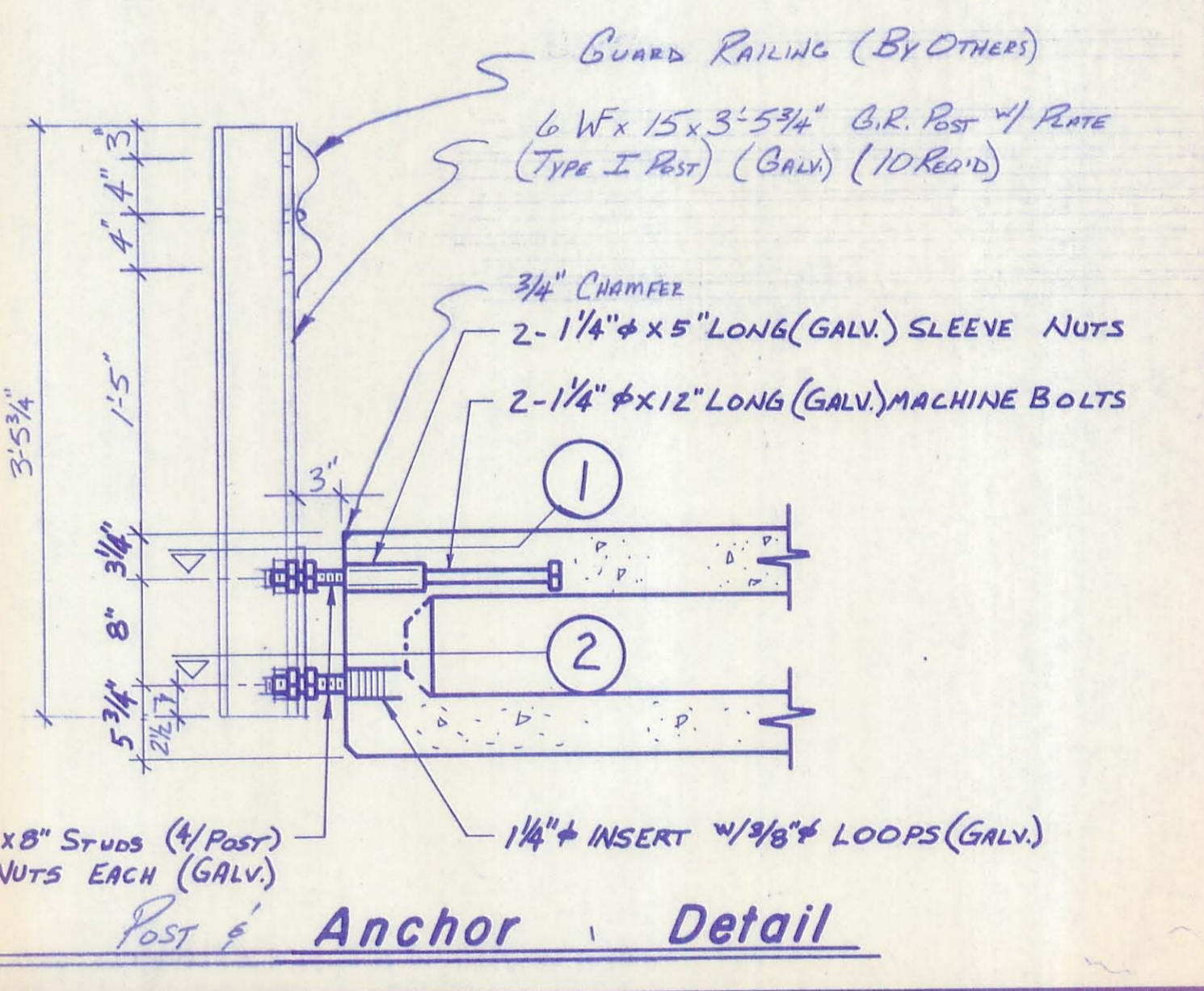
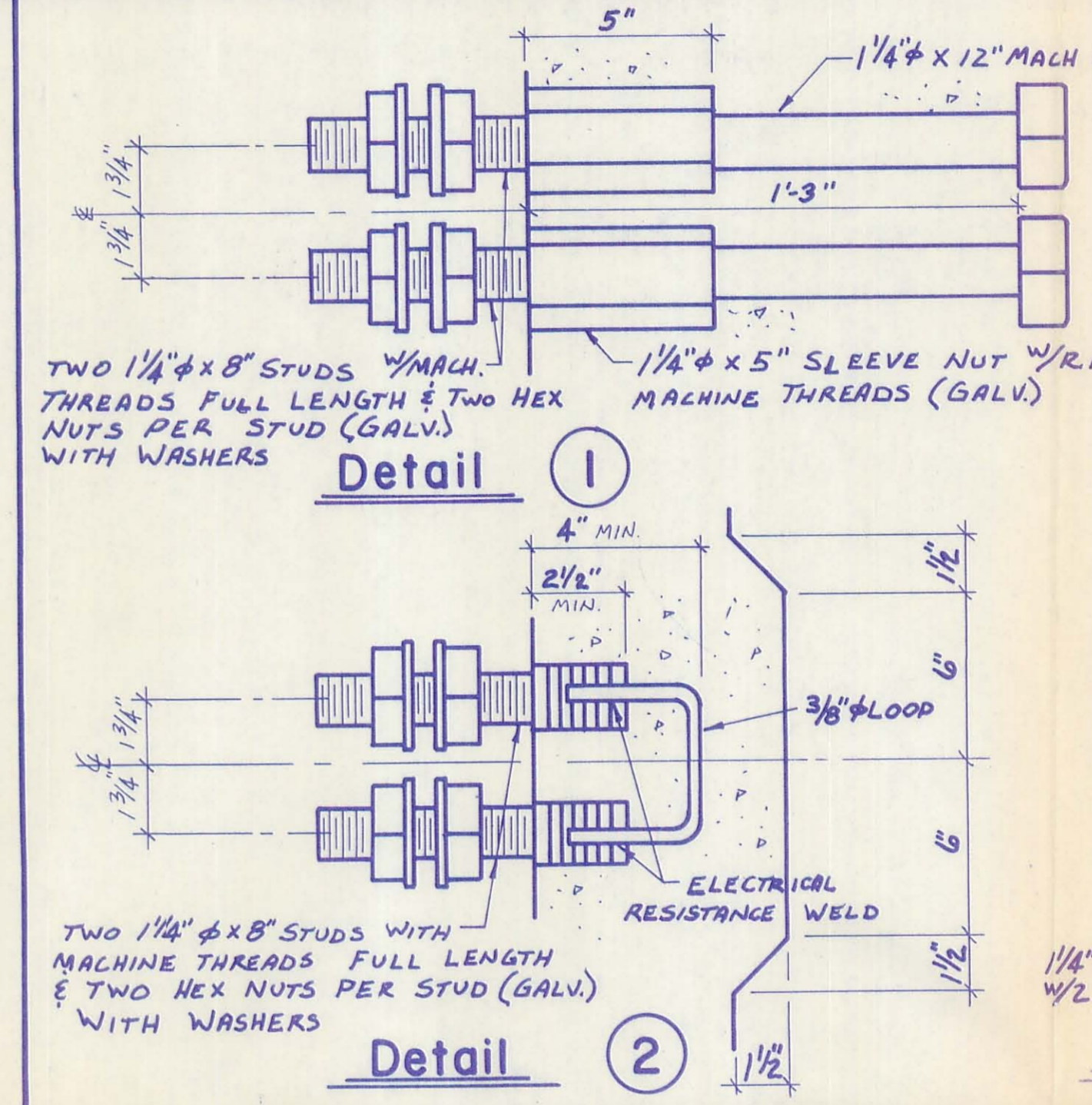
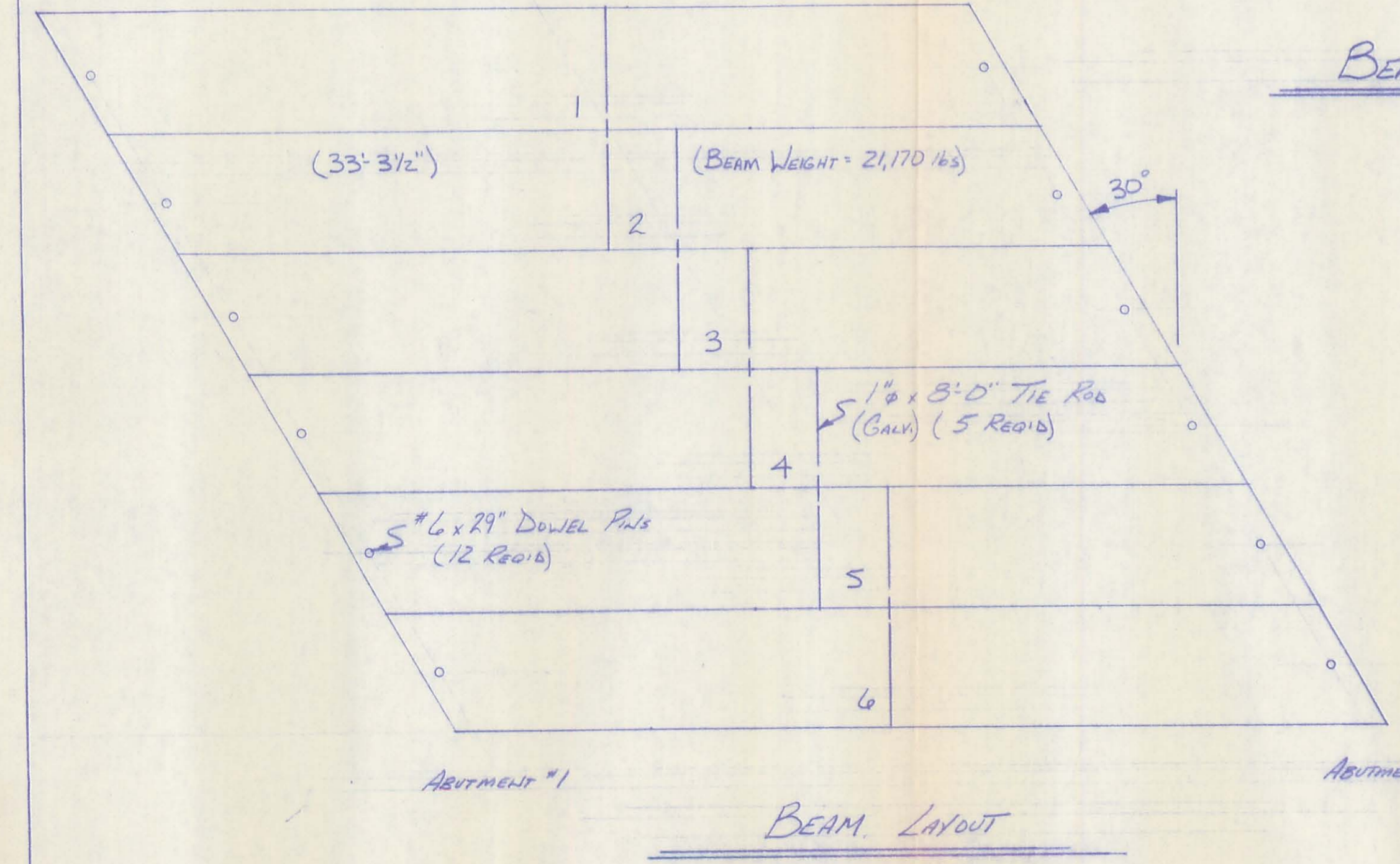


Initial Pull Per Strand = 28,900 lbs.
 14 ~ 1/2" 270K STRAND
 2 ~ DEBOND 2 STRANDS @ 1'-6" (EACH END)



- NOTES:
- Concrete Strength At Time Of Prestressing Is 4000 P.S.I. And At 28 Days Is 5500 P.S.I.
 - Detension Strand Symmetrically About Center Line.
 - Loading = HS-20-44 & Alternate Military.
 - Beam Weight = SEE BEAM PLANS
 - Top Surface Of Beams Given A Flat Float Finish
 - Anticipated Camber As Shown On Project Drawing Is: 1/4"
 - Waterproof Beam Ends
 - Omit Keyway On Exterior Face Of Exterior Beams

- CHANGE NOTES
- CHANGES ARE NOTED AS DIFFERENT FROM O.D.O.T. STD. DWG. P.S.B.D.-1-81 AND ARE VARIED PER NOTE ON DWG. P.S.B.D.-1-81 SHT. 2 OF 4.
- 3/4" Keyway To 4/4" Keyway.
 - Tie Rod Hand Hole From 9" To 10"



P.C.# 9417

Br.No.179-01.04		Logan Co, Ohio.	
Contractor- County Forces			
SCALE	NONE	PRESTRESS SERVICES, INC	
GATE	11-28-90	Decatur Indiana	
DRAWN BY	M.A.T.	JOB NO	DRAWING NO
CHECKED BY	W.B.A.	3844	1 of 1