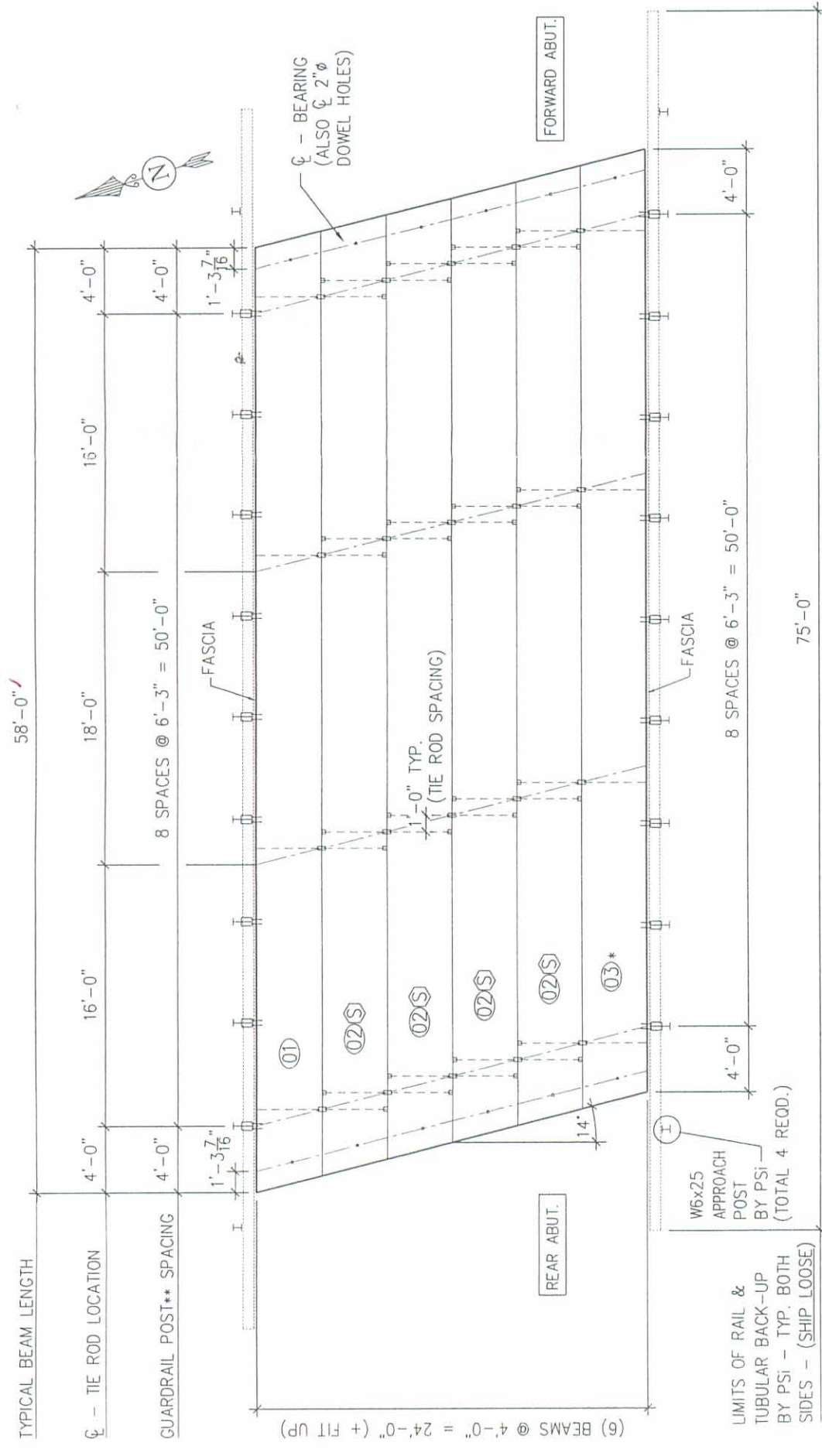


165-0.32



BRIDGE PLAN

GENERAL NOTES:

- 1) MANUFACTURE BEAMS IN ACCORDANCE WITH ODOT SPECIFICATIONS.
- 2) MINIMUM CONCRETE STRENGTH @ RELEASE OF STRAND = 4,000 P.S.I.
MINIMUM CONCRETE STRENGTH @ 28 DAYS = 5,500 P.S.I.
- 3) STRAND SHALL BE (7) WIRE, UNCOATED, LOW RELAXATION, 1/2" "REGULAR" DIA., 270 K.S.I. ULTIMATE STRENGTH, ASTM A-416. (A = 0.153 SQ. IN.)
- 4) PULL EACH STRAND TO 30,982 LBS.
- 5) STEEL GRADE 60, A.S.T.M. A-615.
- 6) HS20-44 & THE ALTERNATE MILITARY LOADING.
- 7) ALL ANCHOR BOLTS, STUDS, INSERTS, TIE RODS, NUTS, & WASHERS SHALL BE GALVANIZED, PER ODOT SPECIFICATIONS.
- 8) KEYWAYS SHALL BE GIVEN A MEDIUM SANDBLAST AT THE PLANT WITHIN FOUR DAYS PRIOR TO SHIPPING BEAMS.
- 9) BEAM ENDS SHALL BE SEALED WITH BITUMINOUS COATING.
- 10) CONCRETE MIX SHALL CONTAIN RUSTEC'S "RCI" CORROSION INHIBITOR; DOSAGE SHALL BE 4 GALLONS PER CUBIC YARD OF CONCRETE.

- Ⓢ = BEAM IS SYMMETRICAL
- * = MK. 03 IS IDENTICAL TO MK. 01 BY 180° ROTATION.

**** GUARDRAIL NOTE:**
POSTS & RAIL W/ TUBULAR BACK-UP BY PSI; SHIP ODOT TYPE 2 POSTS INSTALLED ON EXTERIOR BEAMS; RAIL & TUBULAR BACK-UP TO BE SHIPPED LOOSE. (4) W6x25 APPROACH POSTS ALSO BY PSI

NOTE:

- P.S.I. SHALL FURNISH, INCIDENTAL TO BEAMS:
- ✓ (20) 1"φ x 8' TIE RODS
- ✓ (40) 1/2" x 4" SQ. PLATE WASHERS
- ✓ (40) 1"φ HEX NUTS
- ✓ (12) 1"φ x 3'-3" SMOOTH DOWEL RODS (GALV-A311)
- ✓ (12) 1" x 6" SQ. PEJF DOWEL SEALS
- ✓ (50 LF) 1" x 3" PEJF
- ✓ (24) 1" x 6" x 1'-0" ELASTOMERIC BEARING PADS (PLAIN)
- ✓ (24) 1/8" x 6" x 1'-0" PREFORMED SHIM PADS
- ✓ (58 LF.) 7 STRAND JUTE
- INTRAPLAST-N GROUT ADDITIVE
- ✓ (18) ODOT TYPE 2 GUARDRAIL POSTS
SHIP INSTALLED ON BEAMS USING:
- (72) 1 1/4"φ x 8" STUDS (ALL THREAD)
- (144) 1 1/4"φ HEX NUTS
- (144) WASHERS
- (150 LF) STD DEEP BEAM GUARDRAIL } SHIP LOOSE
- (150 LF) TUBULAR BACK-UP } SHIP LOOSE
- (4) W6x25 APPROACH POSTS (6'-9" LONG)

MARK NO.	NO. REQD.	SHIPPING WEIGHT
01	1	49,740 LBS.
02	4	51,015 LBS.
03*	1	49,740 LBS.

* MK 03 IS IDENTICAL TO MK 01 BY 180° ROTATION

PROJECT OVERVIEW

LOGAN COUNTY, OHIO
BR # 165-0.32 / MAD RIVER

CONTRACTOR: COUNTY FORCES

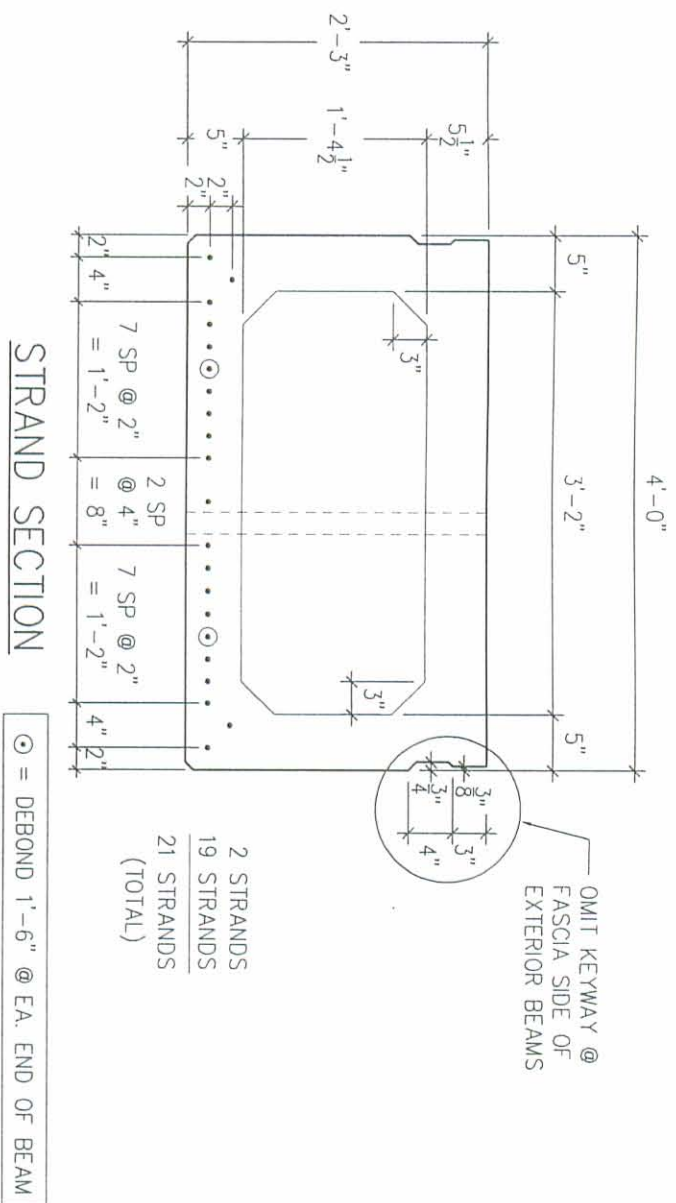
PRODUCING PLANT: | DRAFTING OFFICE:
State Route 8 | P.O. BOX 211
MELBOURNE, KY 41059 | MELBOURNE, KY 41059
PH: (859) 441-0068 | PH: (859) 441-0068
FAX: (859) 441-7986 | FAX: (859) 441-7986

DATE: 6-16-03 | DRAWN BY: GDA | CHECKED: GDA

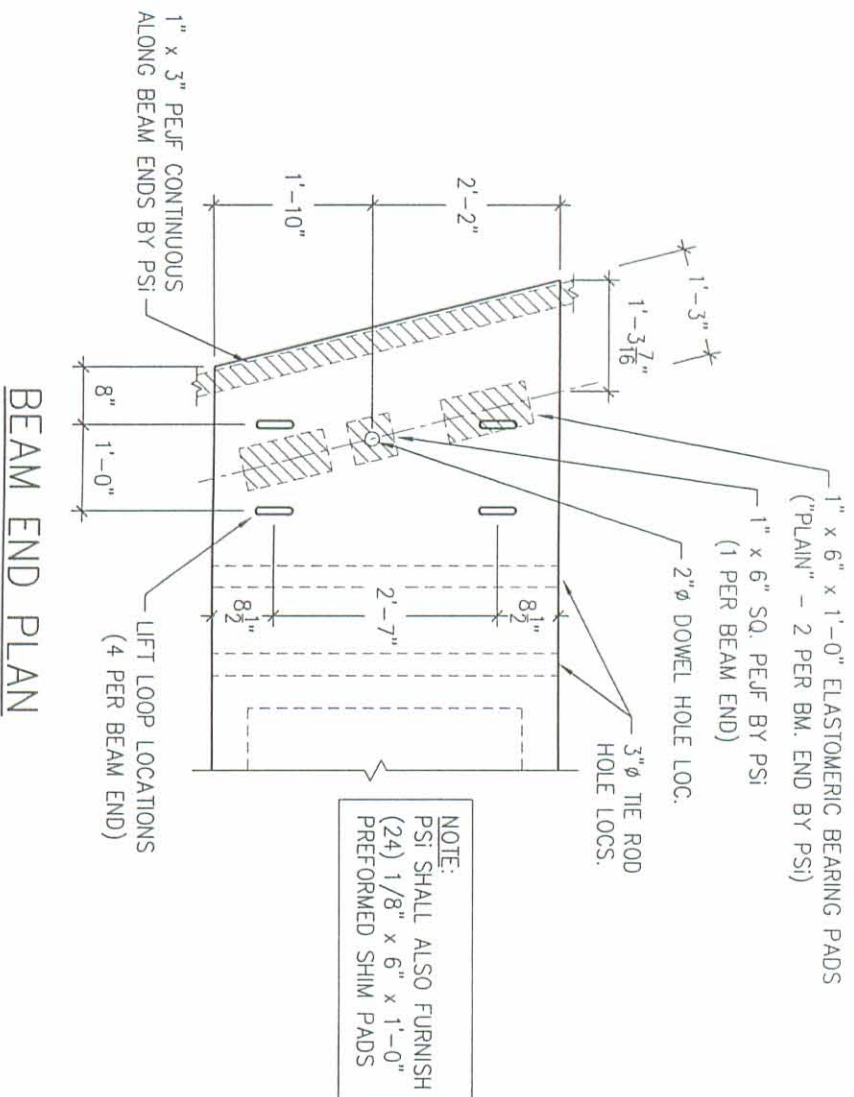
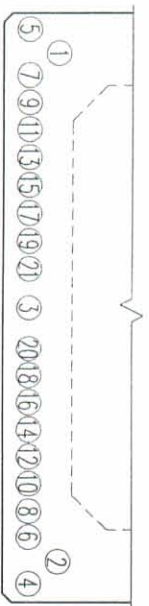
LOGAN COUNTY PERMISIONS

CODE: B27480 | SHEET: 1 OF 4 | JOB NO: M3198

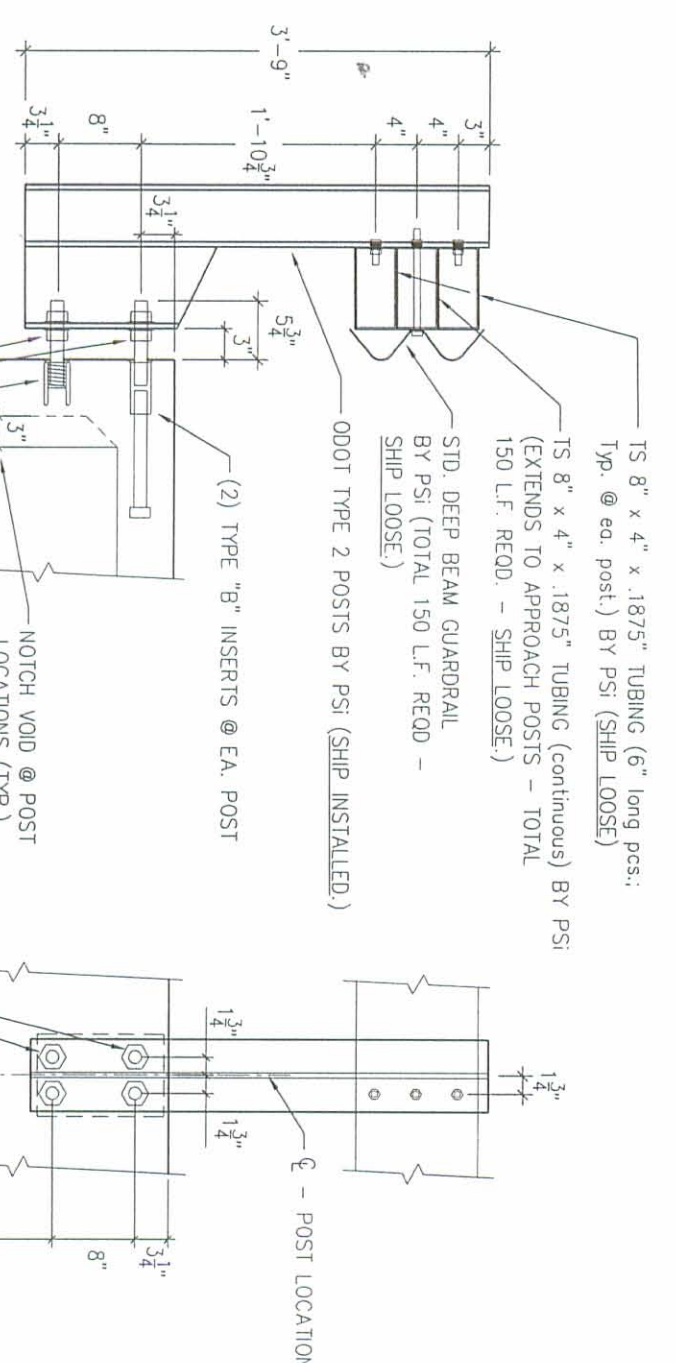
APPROVED
BY LOGAN CO. ENGINEER
Howard D. King, P.E. 7/15/03



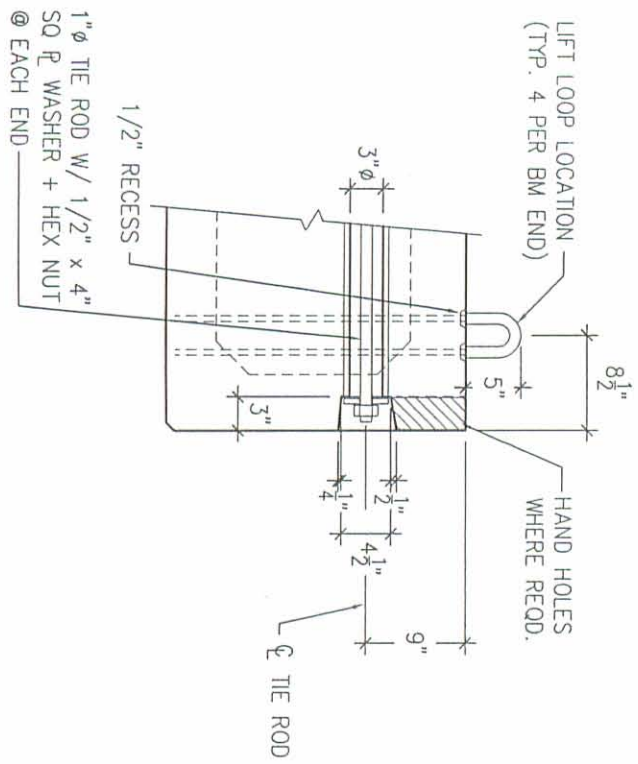
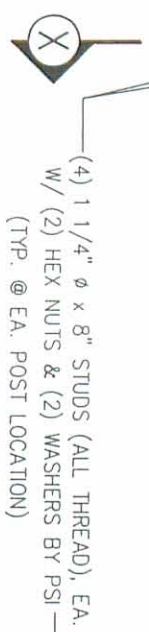
DETENSIONING PROCEDURE



BEAM END PLAN



GUARDRAIL DETAIL



TIE ROD DETAIL

STRAND & DETAILS

LOGAN COUNTY, OHIO
BR # 165-0.32 / MAD RIVER

CONTRACTOR: COUNTY FORCES

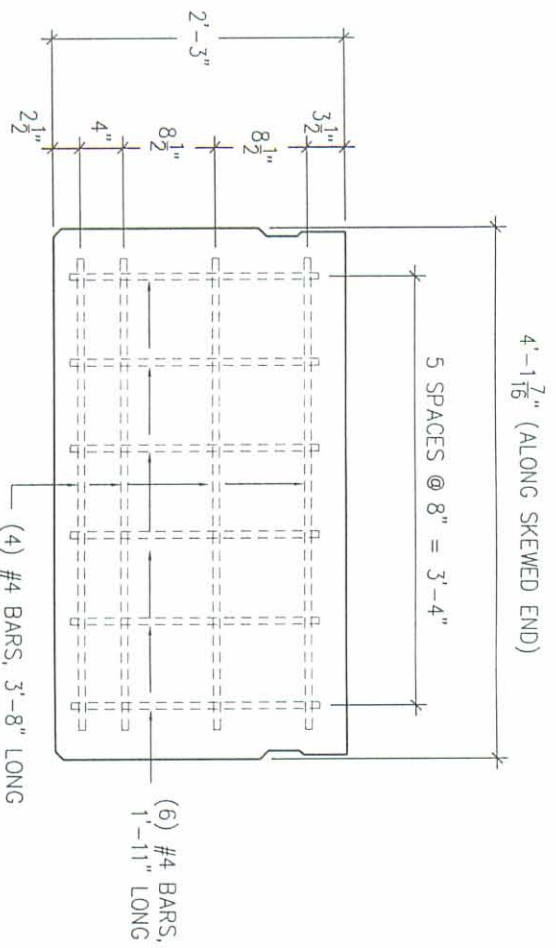
PRODUCING PLANT: P.O. BOX 211
MELBOURNE, KY 41059
PH: (859) 441-0068
FAX: (859) 441-7986

DRAFTING OFFICE: P.O. BOX 211
MELBOURNE, KY 41059
PH: (859) 441-0068
FAX: (859) 441-7986

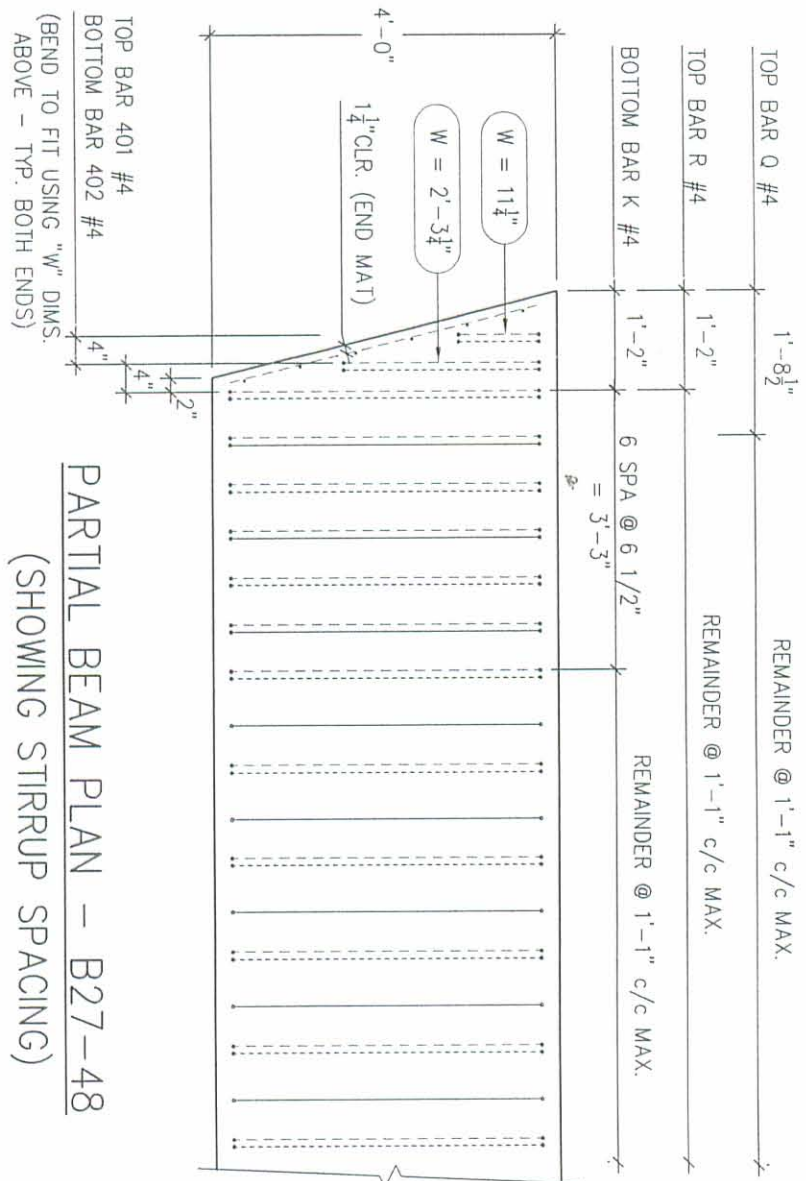
DATE: 6-16-03 DRAWN BY: GDA CHECKED: GDA

REVISIONS	DATE	BY	CHKD
5			
4			
3			
2			
1			

CODE: B27480 SHEET: 2 OF 4 JOB NO: M3198



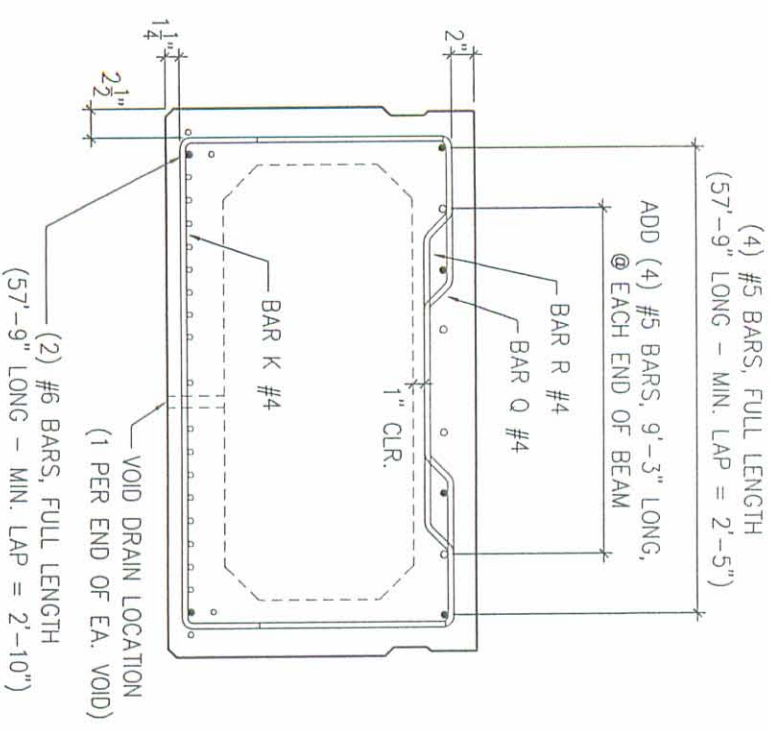
END MAT DETAIL



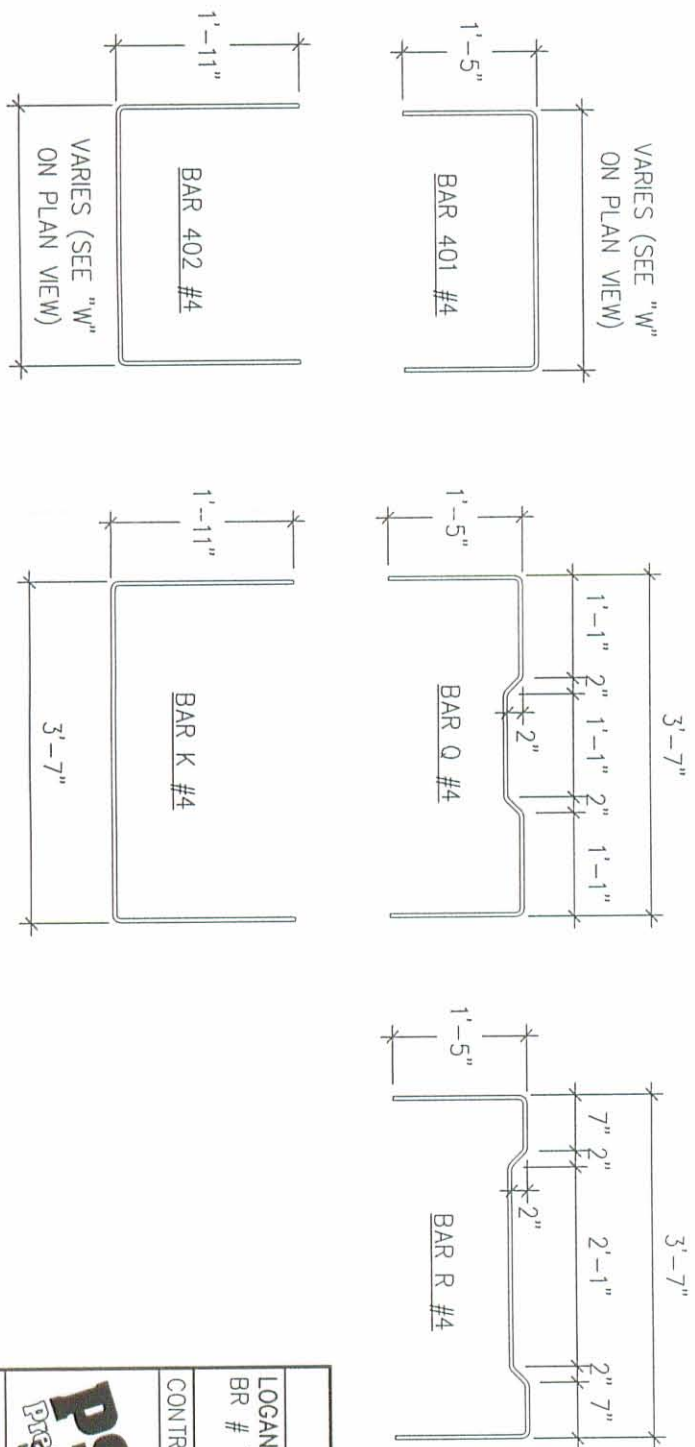
PARTIAL BEAM PLAN - B27-48
(SHOWING STIRRUP SPACING)

BAR MARK	BAR SIZE	NO. REQD. PER BEAM
BAR Q	#4	60
BAR R	#4	54
BAR K	#4	53
BAR 401	#4	4
BAR 402	#4	4

NOTE:
REBAR MAY BE ADJUSTED SLIGHTLY TO AVOID CONFLICTS W/ OTHER EMBEDDED ITEMS.



STEEL SECTION



BENDING DIAGRAM

STEEL DETAILS

LOGAN COUNTY, OHIO
BR # 165-0.32 / MAD RIVER

CONTRACTOR: COUNTY FORCES

PRODUCING PLANT: State Route 8
MELBOURNE, KY 41059
PH: (859) 441-0068
FAX: (859) 441-7986

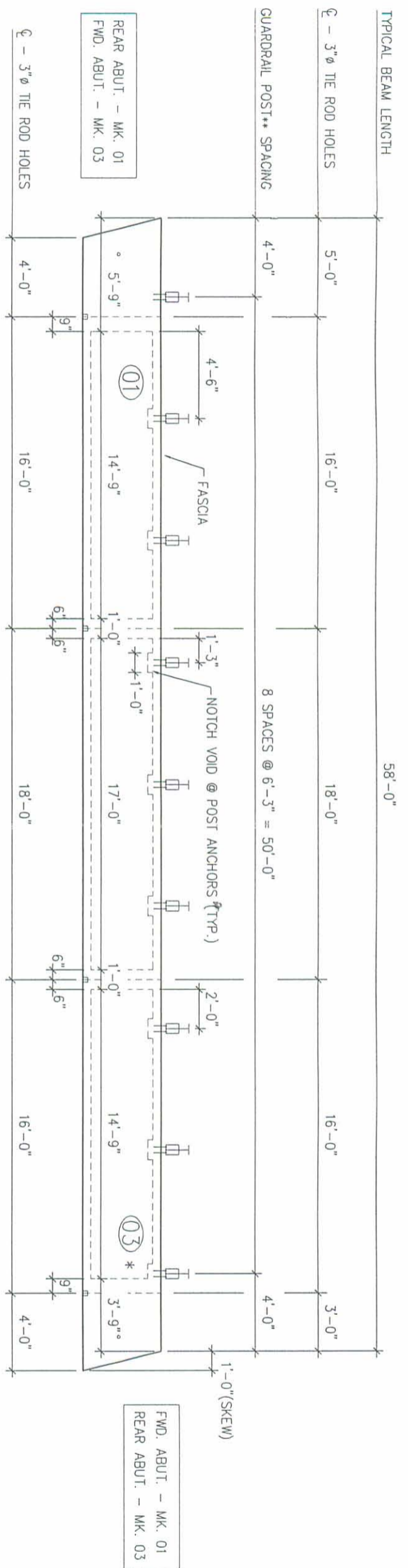
DRAFTING OFFICE: P.O. BOX 211
MELBOURNE, KY 41059
PH: (859) 441-0068
FAX: (859) 441-7986

DATE: 6-16-03
DRAWN BY: GDA
CHECKED: GDA

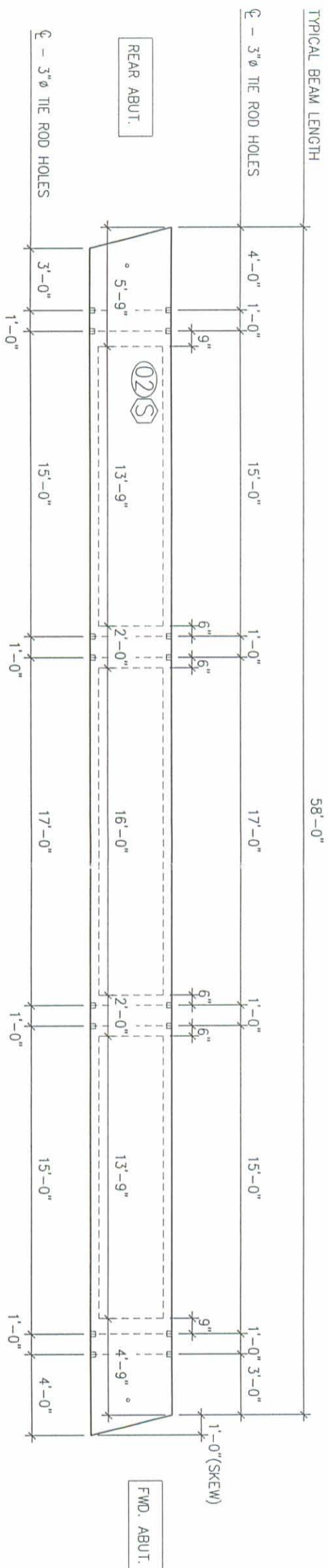
REVISIONS	DATE	DRAWN BY	CHECKED
Δ			
Δ			
Δ			

CODE: B27480 SHEET: 3 OF 4 JOB NO: M3198





TIE ROD / VOID LAYOUT - MKS. 01 & 03* (1 REQD. EACH THUS) WT. = 49,740 LBS.



TIE ROD / VOID LAYOUT - MK. 02 (4 REQD. THUS) WT. = 51,015 LBS.

Ⓢ = BEAM IS SYMMETRICAL

* = MK. 03 IS IDENTICAL TO MK. 01 BY 180° ROTATION.

**** GUARDRAIL NOTE:**

POSTS & RAIL W/ TUBULAR BACK-UP BY PSI; SHIP ODOT TYPE 2 POSTS INSTALLED ON EXTERIOR BEAMS; RAIL & TUBULAR BACK-UP TO BE SHIPPED LOOSE. (4) W6x25 APPROACH POSTS ALSO BY PSI

BEAM LAYOUTS

LOGAN COUNTY, OHIO
BR # 165-0.32 / MAD RIVER

CONTRACTOR: COUNTY FORCES

PRODUCING PLANT: DRAFTING OFFICE:

State Route 8
MELBOURNE, KY 41059
PH: (859) 441-0068
FAX: (859) 441-7986

DATE: 6-16-03
DRAWN BY: GDA
CHECKED: GDA



DATE: 6-16-03
DRAWN BY: GDA
CHECKED: GDA

REVISIONS	DATE	DRAWN BY	CHECKED
▽			
▽			

CODE: B27480 SHEET: 4 OF 4 JOB NO: M3198