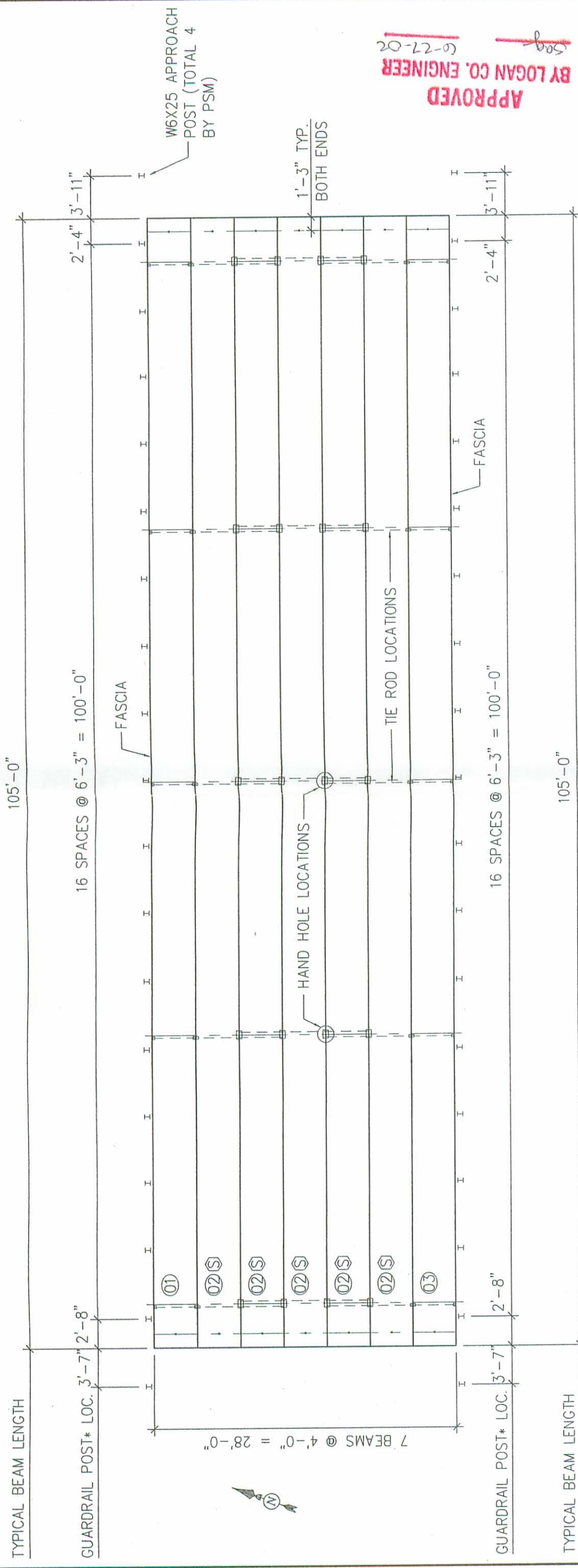
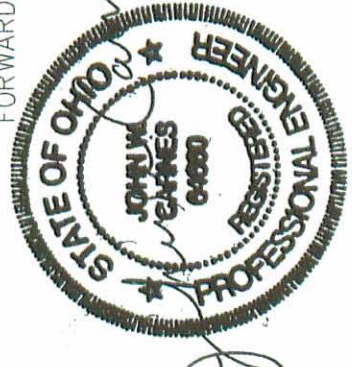


153-8.80



APPROVED  
BY LOGAN CO. ENGINEER  
06-27-02



FORWARD ABUT.

BRIDGE PLAN

Ⓢ = BEAM IS SYMMETRICAL

GENERAL NOTES:

1. MANUFACTURE BEAMS IN ACCORDANCE WITH ODOT SPECIFICATIONS.
2. MINIMUM CONCRETE STRENGTH @ RELEASE OF STRAND = 5,000 P.S.I. MINIMUM CONCRETE STRENGTH @ 28 DAYS = 7,000 P.S.I.
3. STRAND SHALL BE (7) WIRE, UNCOATED, "SPECIAL-OVERSIZE" LOW RELAXATION, 1/2" DIAMETER (A s= 0.167 IN2), GRADE 270
4. PULL EACH STRAND TO 33,818 LBS.
5. STEEL GRADE 60, A.S.T.M. A-615.
6. BROOM-FINISH TOPS OF BEAMS
7. HS20-44 & THE ALTERNATE MILITARY LOADING.
8. CONCRETE MIX SHALL INCLUDE ODOT APPROVED CORROSION INHIBITOR; DOSAGE SHALL BE PER MANUFACTURER'S RECOMMENDATIONS.
9. ALL ANCHOR BOLTS, STUDS, INSERTS, TIE RODS, NUTS, & WASHERS SHALL BE GALVANIZED, PER ODOT SPECIFICATIONS.
10. KEYWAYS SHALL RECEIVE A MEDIUM SANDBLAST AT PLANT WITHIN FOUR DAYS PRIOR TO SHIPPING.
11. BEAM ENDS SHALL BE SEALED W/ BITUMINOUS COATING @ CUT STRAND LOCATIONS.

\*POSTS, RAIL, & TUBULAR BACK-UP BY PSM. POSTS SHIPPED INSTALLED - REMAINDER SHIPPED LOOSE.

NOTE:  
P.S.M. SHALL FURNISH, INCIDENTAL TO BEAMS:

- (30) 1"Ø HEX NUTS
- (30) 1/2" X 4" SQ. PLATE WASHERS
- (15) 1"Ø TIE ROD 12'-0" LONG
- (14) 1"Ø X 4'-6" (GALV.) SMOOTH DOWEL RODS
- (14) 2" X 6" SQ. PEJF DOWEL SEALS
- (105) 7 STRAND JUTE + INTERPLAST-N GROUT ADDITIVE
- (34) ODOT TYPE 2 POSTS, INSTALLED USING:
  - (136) 1 1/4"Ø X 8" STUDS (ALL THREADED)
  - (272) 1 1/4"Ø HEX NUTS
  - (272) WASHERS
- (28) ELASTOMERIC LAMINATED BEARING PADS (2 1/16" x 7" x 11")
- (56) 2" X 3" PEJF
- (250') STANDARD DEEP BEAM GUARDRAIL (SHIP LOOSE)
- (250') TUBULAR BACK-UP (SHIP LOOSE)
- (4) W6 x 25 x 6'-9" APPROACH POSTS

MARK NO.	NO. REQD.	SHIPPING WEIGHT
01	1	110,990 LBS.
02	5	111,540 LBS.
03	1	110,990 LBS.

LOGAN COUNTY, OHIO  
BR. #153-8.80  
C.R. 153 / BIG DARBY CREEK

CONTRACTOR: COUNTY FORCES

PRODUCING PLANT: DRAFTING OFFICE:  
STATE ROUTE 8 P.O. BOX 211  
MELBOURNE, KY 41059 MELBOURNE, KY 41059  
PH: (859) 441-0068 PH: (859) 441-0068  
FAX: (859) 441-7986 FAX: (859) 441-7986

DATE: 6-17-02 DRAWN BY: EDD CHECKED: GDA

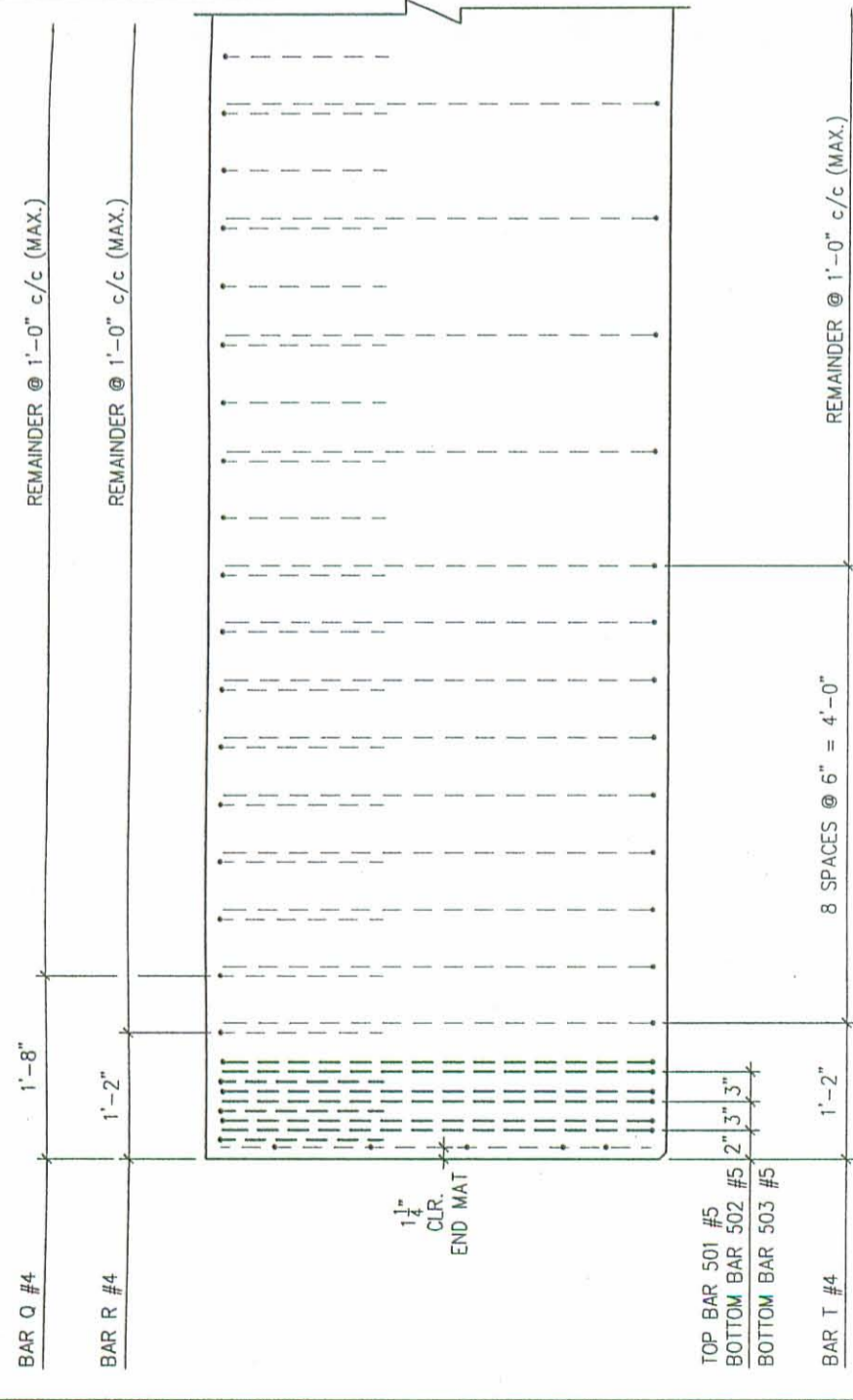
REVISIONS

CODE: SHEET: 1 of 4 JOB NO: M2186



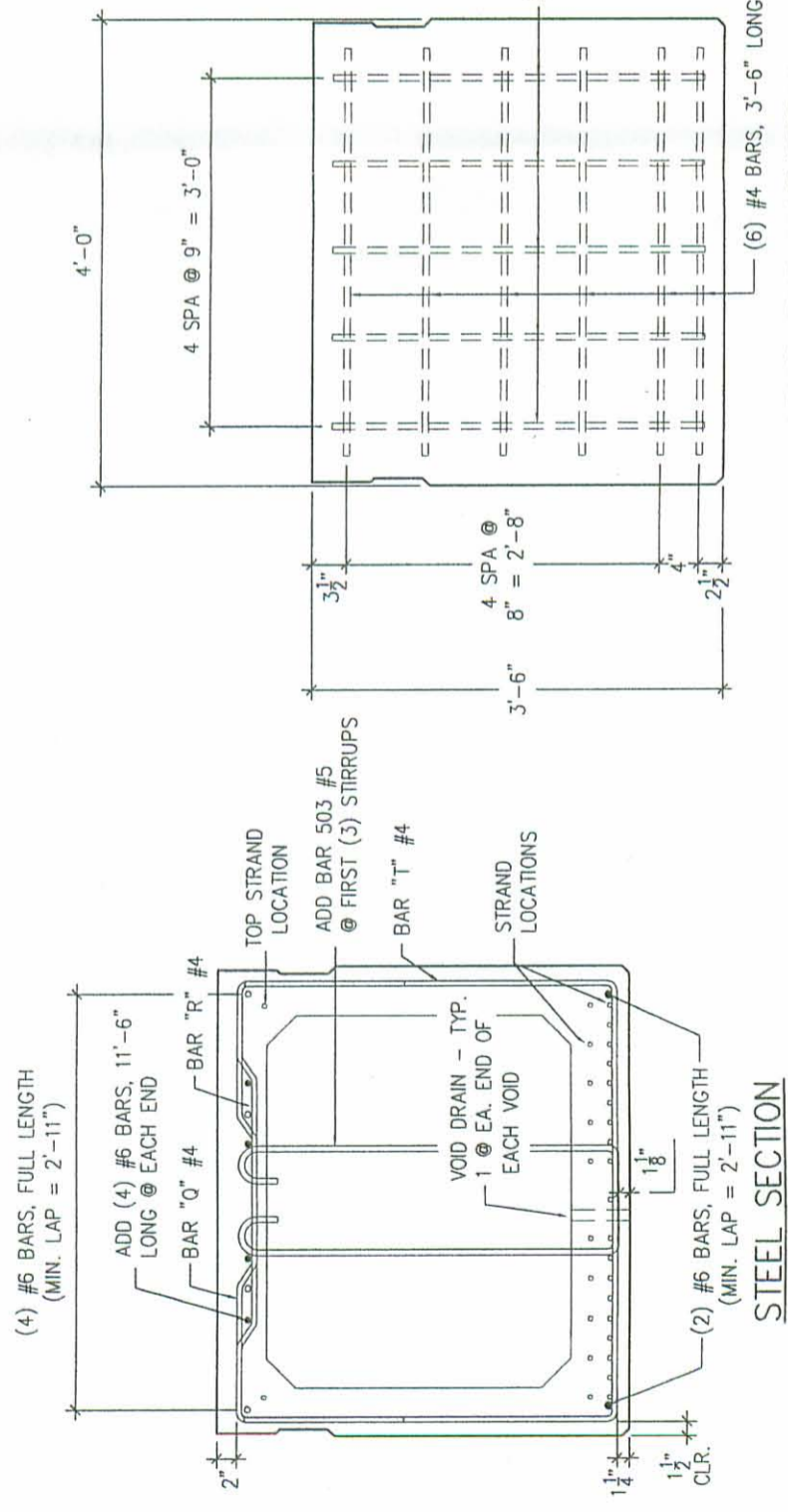
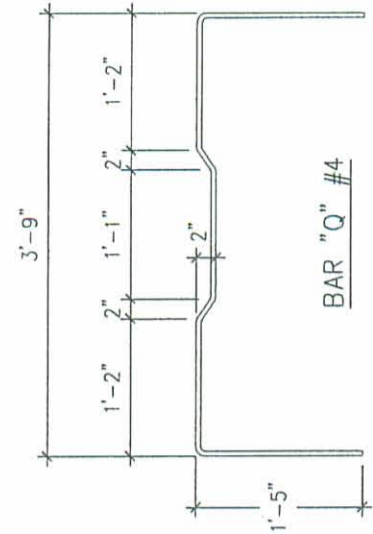
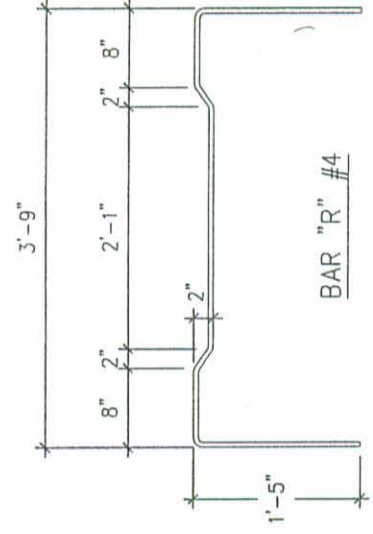
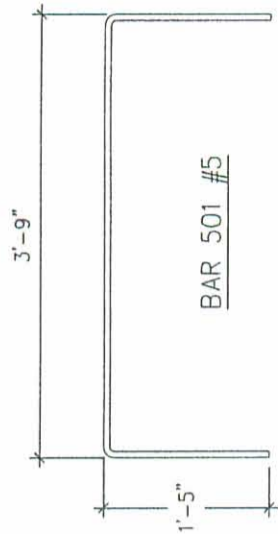
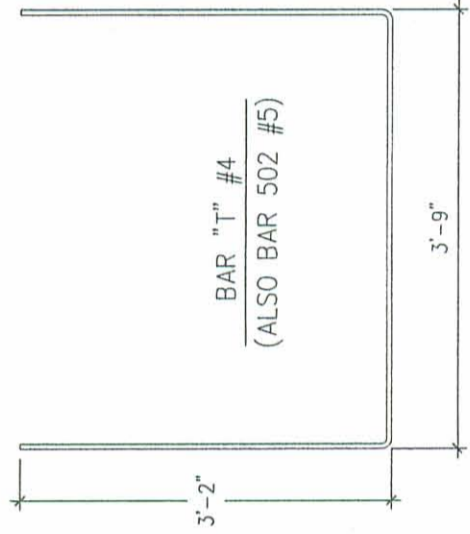






STIRRUP QUANTITIES PER BEAM

MARK	BAR SIZE	NO. REQD.
BAR Q	# 4	103
BAR R	# 4	104
BAR T	# 4	112
501	# 5	6
502	# 5	6
503	# 5	6



ABUT. END MAT DETAIL

BENDING DIAGRAM

LOGAN COUNTY, OHIO  
 BR. # 153-8.80  
 C.R. 153 / BIG DARBY CREEK

CONTRACTOR: COUNTY FORCES

PRODUCING PLANT:  
 STATE ROUTE 8  
 MELBOURNE, KY 41059  
 PH: (859) 441-0068  
 FAX: (859) 441-7986

DRAFTING OFFICE:  
 P.O. BOX 211  
 MELBOURNE, KY 41059  
 PH: (859) 441-0068  
 FAX: (859) 441-7986

DATE: 6-17-02  
 DRAWN BY: EDD  
 CHECKED: GDA

REVISIONS

CODE: \_\_\_\_\_

SHEET: 3 of 4  
 JOB NO: M2186

