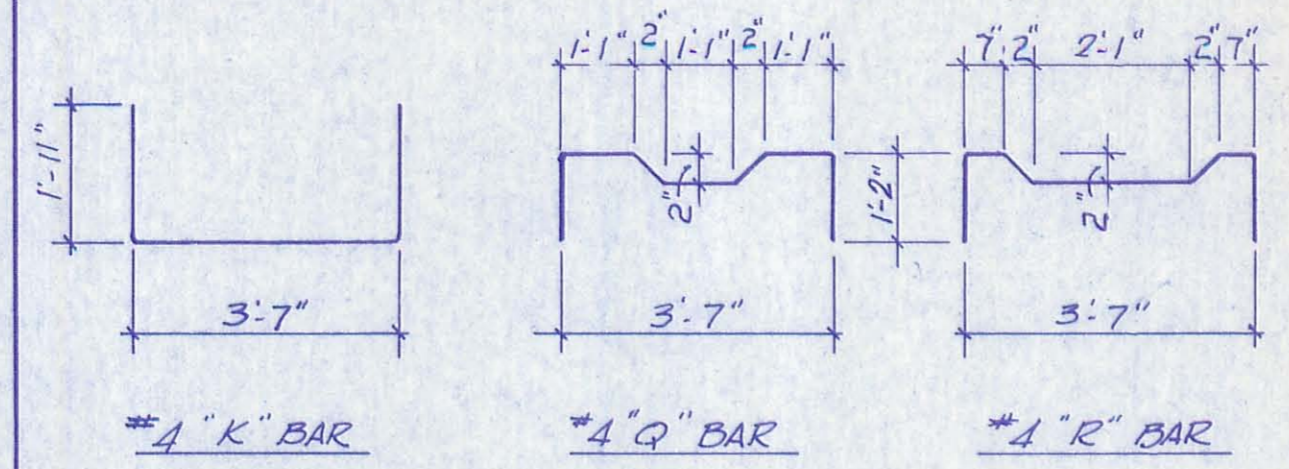
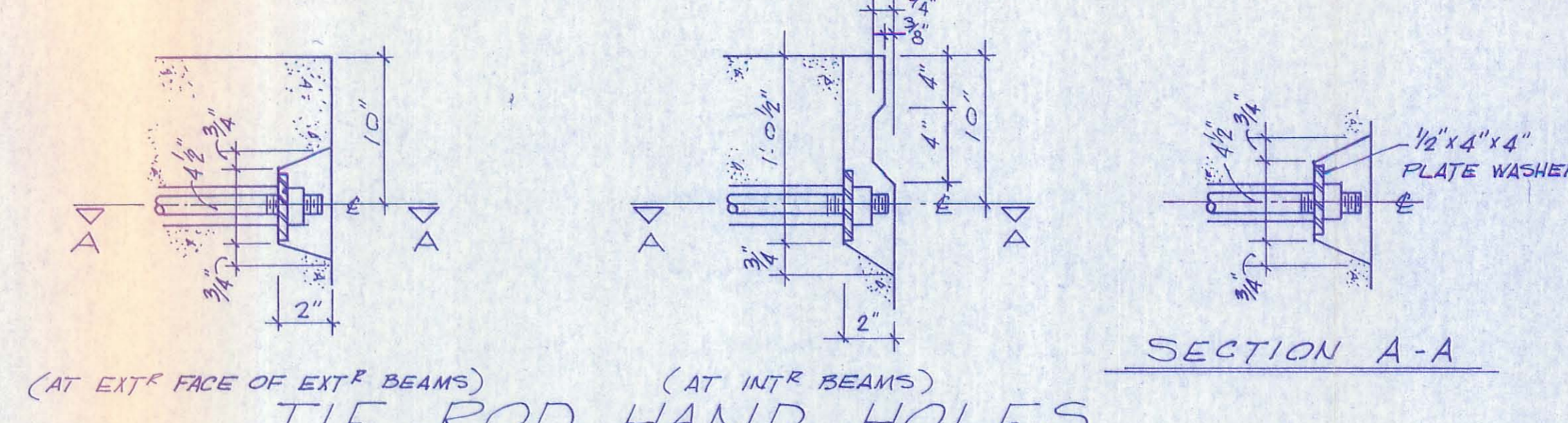


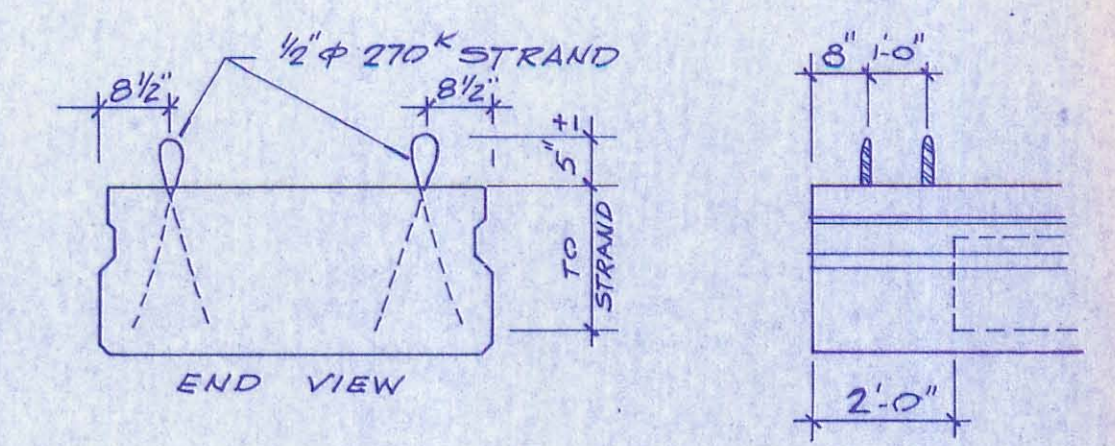
TYP. CROSS SECTION



(All Reinforcing Steel Is Grade 40 Min.)
TYP. STEEL LAYOUT

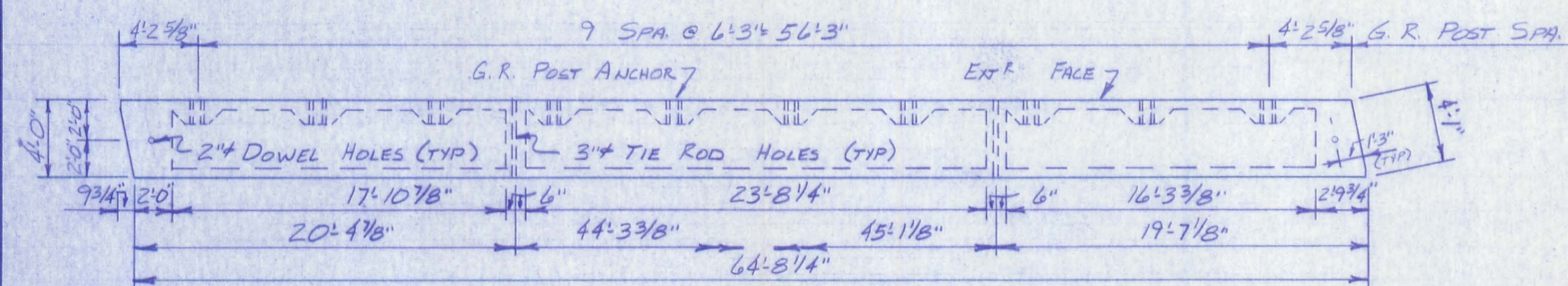


TIE ROD HAND HOLES

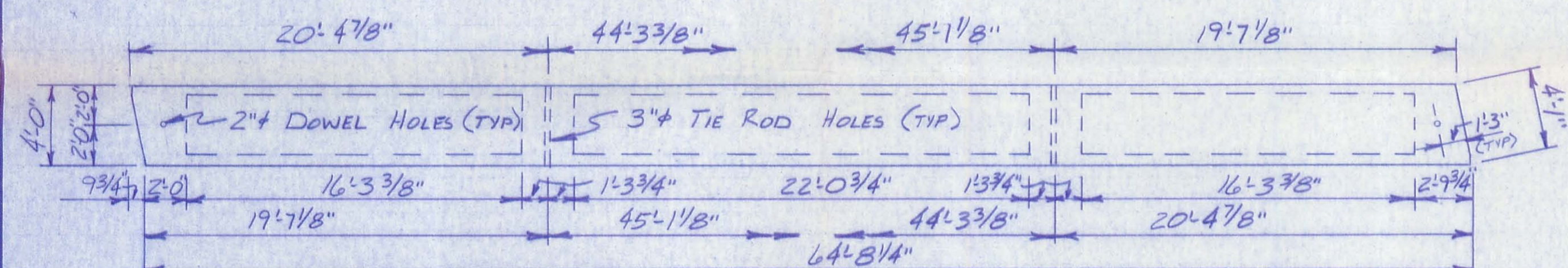


LIFTING DETAIL

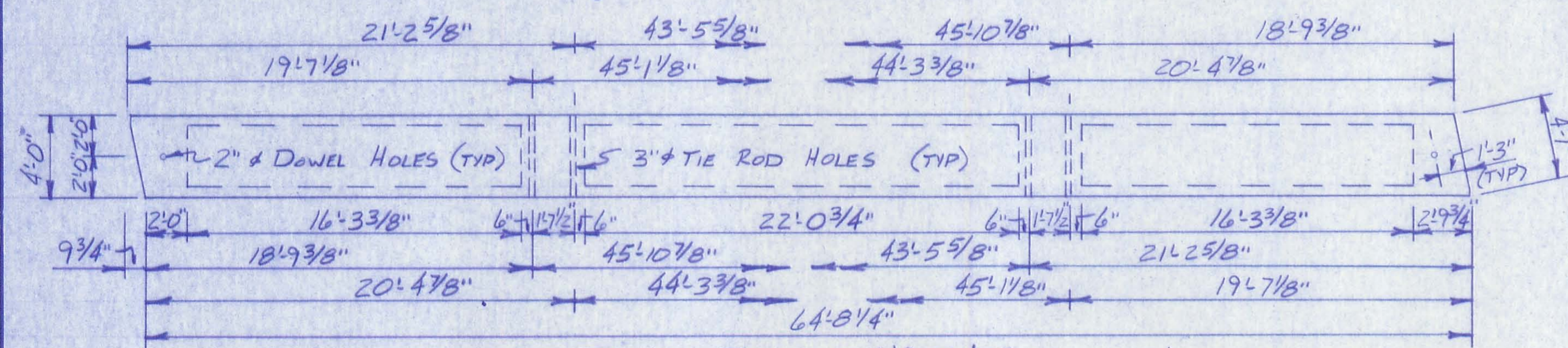
Initial Pull Per Strand = 28,900 lbs.
20 - 1/2" x 270" STRAND
○ DEBOND 2 STRANDS @ 1/6" FROM EA. END



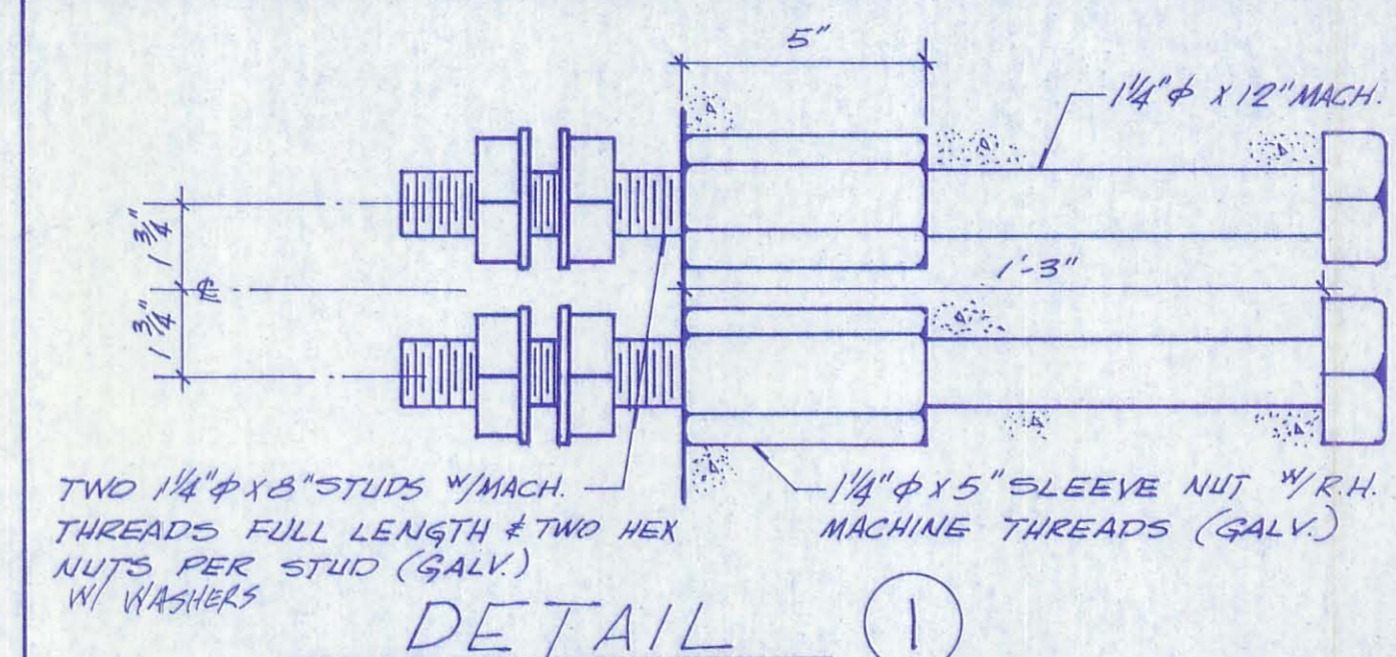
BEAM PLAN ~ N° 1 #7
(BEAM WEIGHT = 50,240 lbs.)



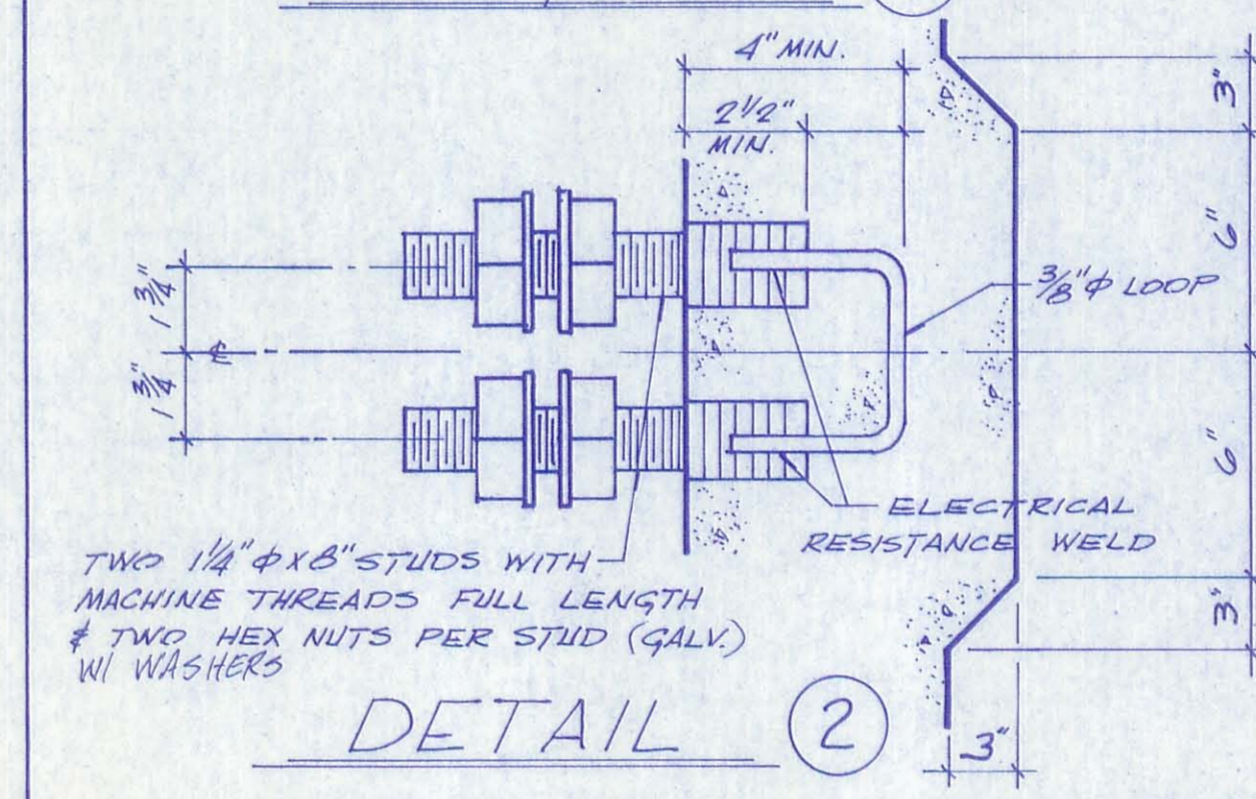
BEAM PLAN ~ N° 2 #6
(BEAM WEIGHT = 52,300 lbs.)



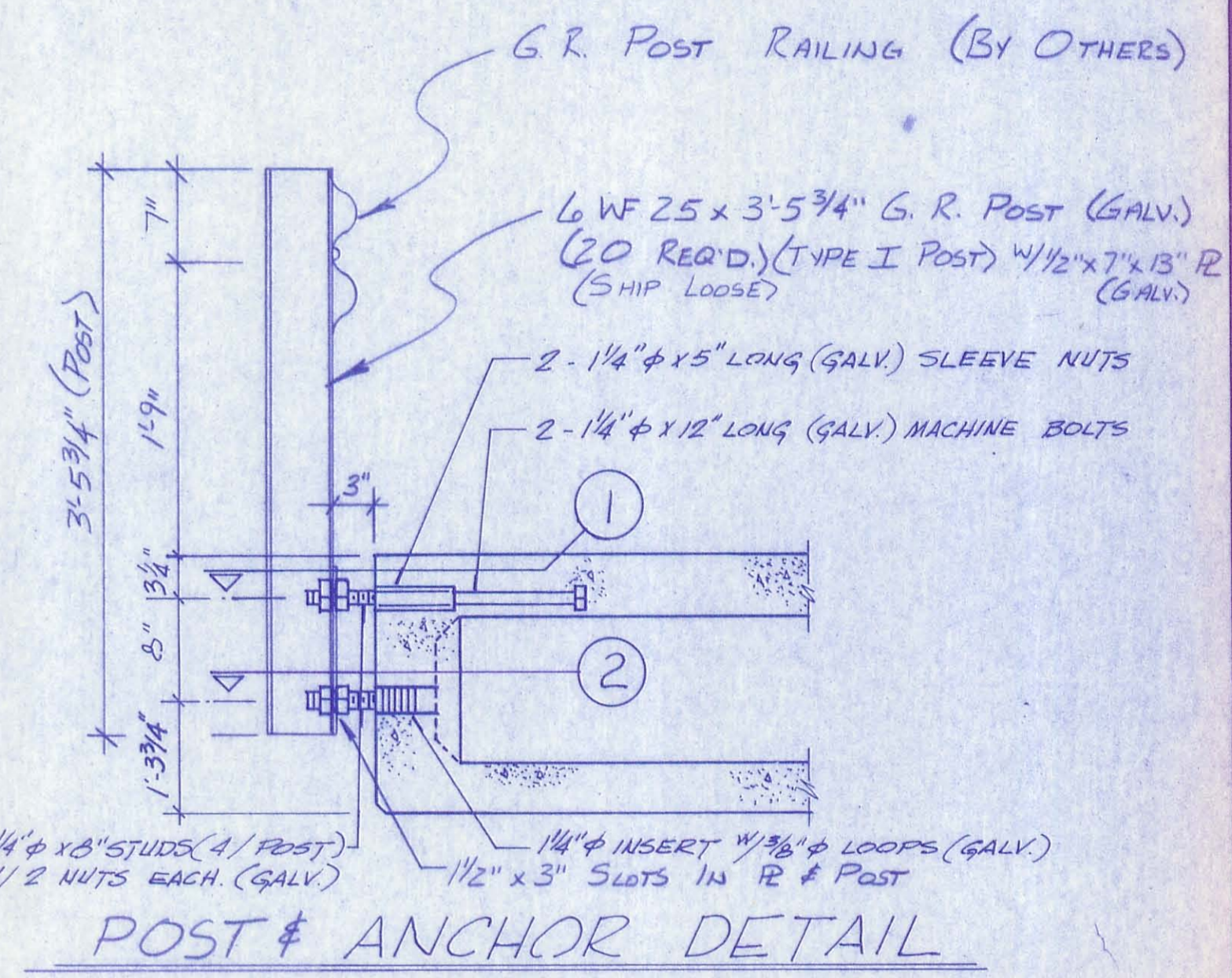
BEAM PLAN ~ N° 3 #5
(BEAM WEIGHT = 52,300 lbs.)



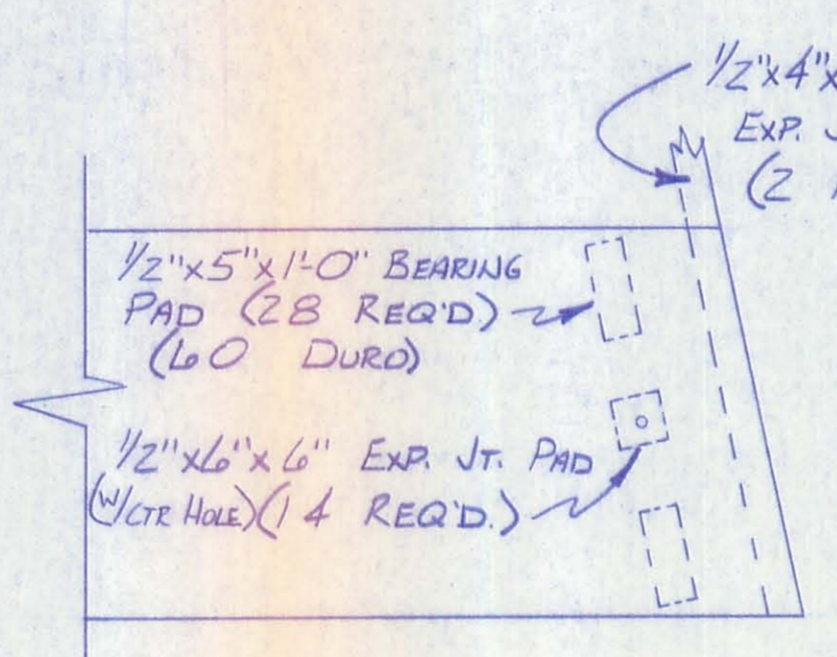
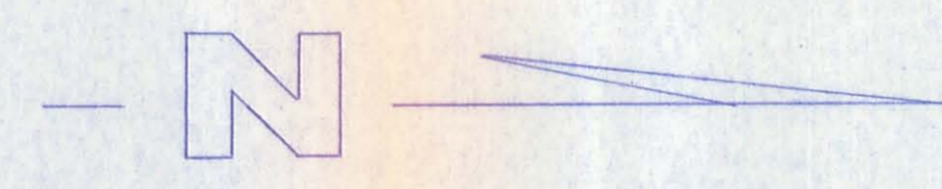
DETAIL 1



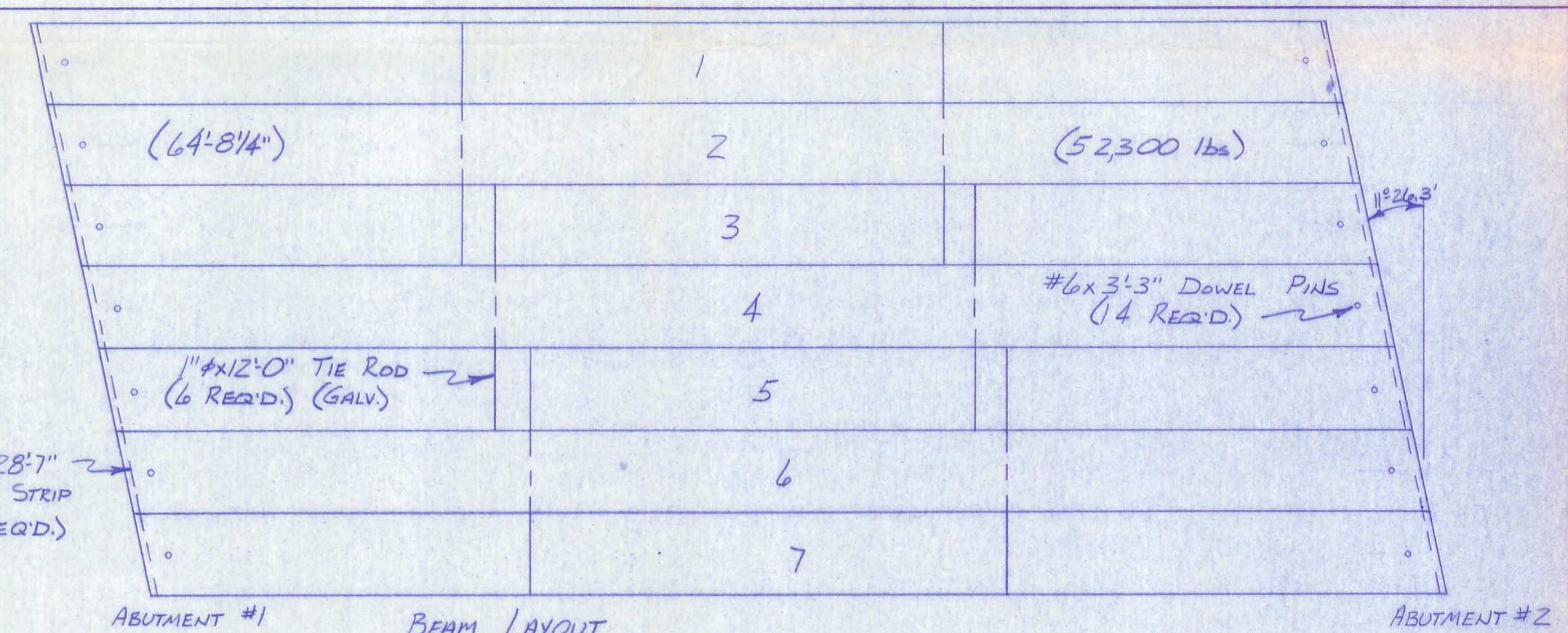
DETAIL 2



POST & ANCHOR DETAIL



BEARING PAD PLACEMENT



BEAM LAYOUT

- NOTES:
1. CONC. STR. AT TIME OF PRESTRESSING = 4000 PSI @ 28 DAYS - 5000 PSI.
 2. DETENSION STRAND SYMMETRICALLY ABOUT CENTER LINE
 3. WATERPROOF BEAM ENDS
 4. OMIT KEYWAY ON EXT. FACE OF EXT. BEAMS
 5. LOADING = HS - 20 - 44
 6. BEAM WEIGHT - SEE BEAM PLANS
 7. TOP SURFACE OF BEAMS GIVEN A FLAT FLOAT FINISH.

Approved: 12-16-87
Richard A. Bruce, P.E., P.S.
Deputy Engineer

Changes Are Noted As Different From O.D.O.T. Std. Dwg. P.S.B.D.-1
Change Notes: -81 And Are Varied Per. Note On Dwg. P.S.B.D.-1-81 Sht. 2 of 4
1. 3/4" KEYWAY TO 4/4" KEYWAY
2. TIE ROD HAND HOLE FROM 9" TO 10"

P.C. #9244

REVISIONS			Twp. Rd. 138	
NO.	DATE	BY	Br. No. 138-180	Logan Co., Ohio
			Contractor - County Forces	
1.			SCALE NONE	PRESTRESS SERVICES, INC.
2.			DATE 12-10-87	Decatur Indiana
3.			DRAWN BY B.A.	JOB NO. 4334
4.			CHECKED BY J.H.	DRAWING NO. SH. 1 OF 1