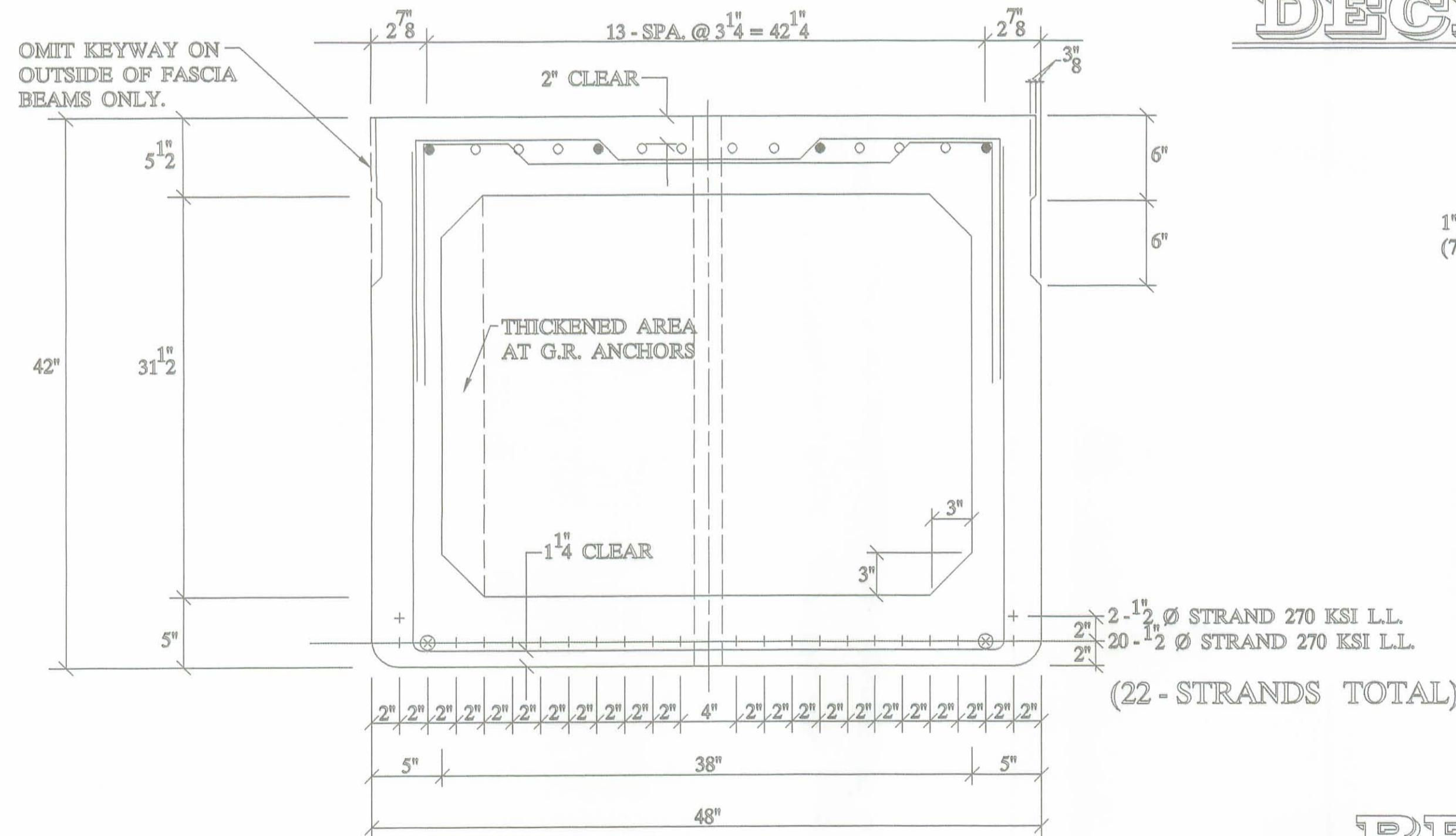


DECK PLAN

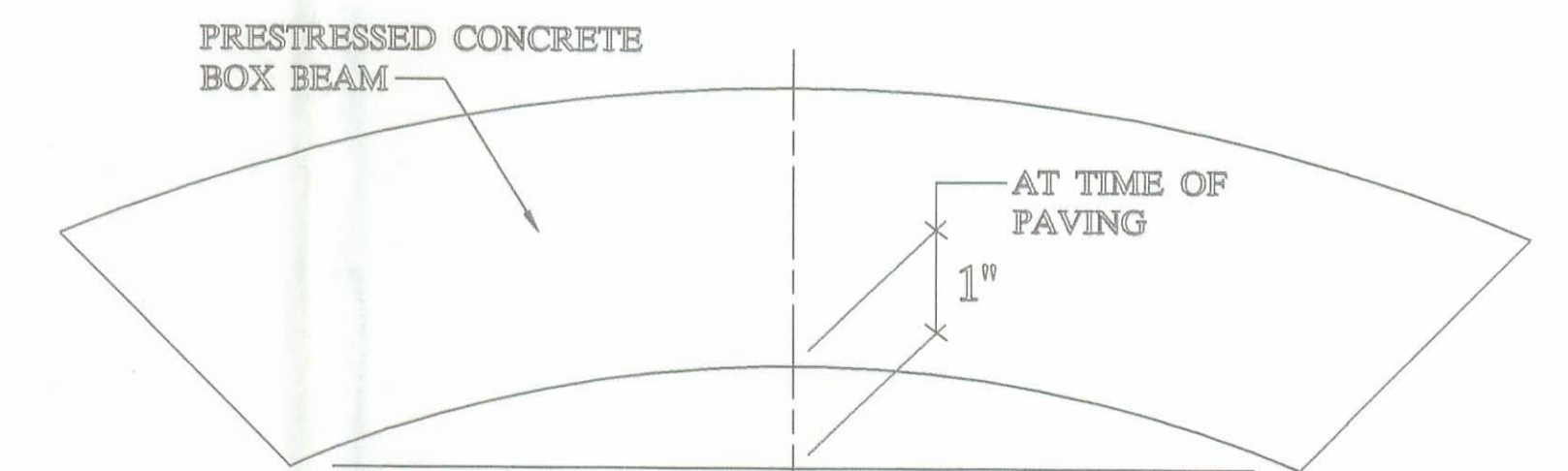
APPROVED
 BY LOGAN CO. ENGINEER
 Scott C. Bell 2-16-01



BEARING PAD LAYOUT

QUALITY CONTROL NOTE :

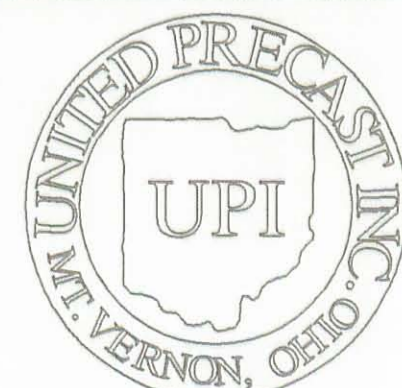
- STRAND IS LOW LAX.
- INITIAL LOAD IS 30,982 # / STRAND.
- REBAR IS ALL GRADE - 60.
- STIRRUPS UNDER STRAND.



CAMBER DETAIL

- 4 - #5 BARS FULL LENGTH RUN (TOP) MKB501 MKB502 (BUTT SPLICE BAR)
- 10 - #5 ADDITIONAL BARS 10'-6" LONG AT EACH END OF BEAM (TOP) MKB503.
- ⊗ 2 - #6 BARS FULL LENGTH RUN (BOTTOM) MKB601 MKB602 (BUTT SPLICE BAR)

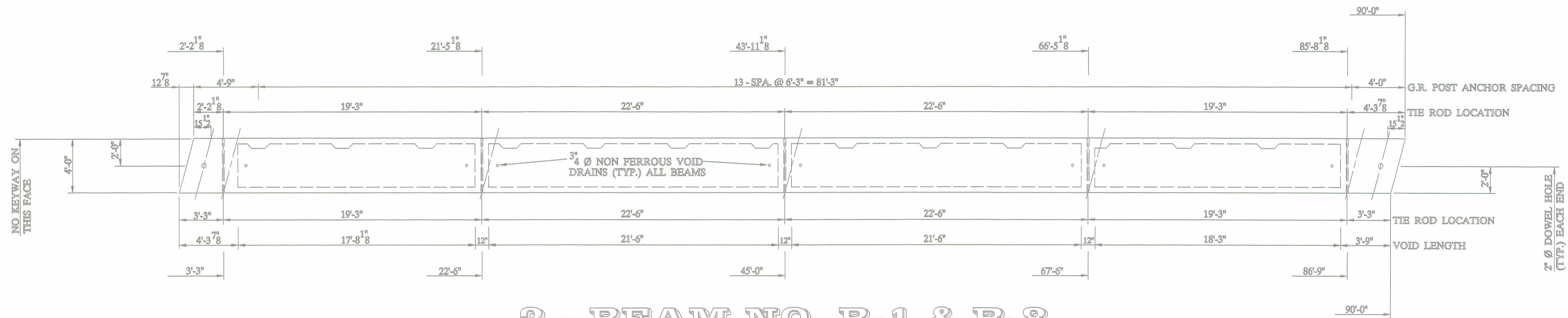
B42-48



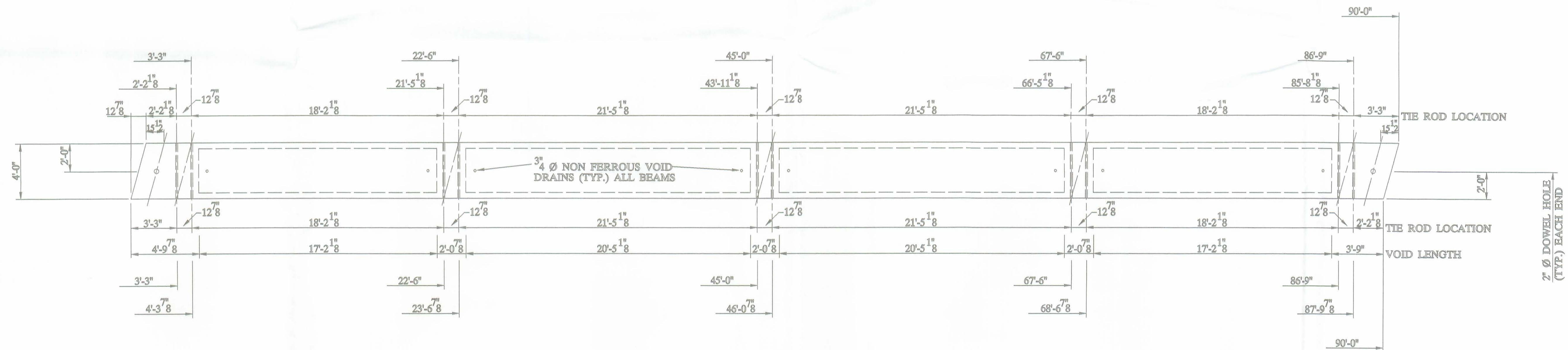
UNITED PRECAST INC.

ROUNDHOUSE LANE
 MOUNT VERNON, OHIO 43050
 PHONE : (740) 393-1121
 FAX : (740) 392-9708

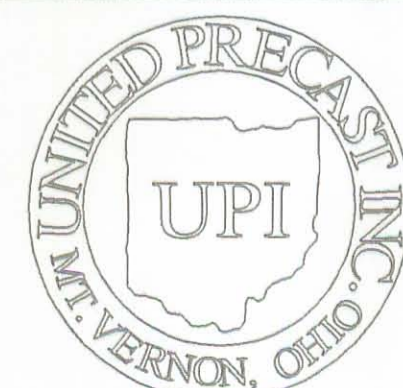
DESCRIPTION: BOX BEAM DETAILS		SCALE: -----	DRAWN BY: PHIL
JOB NAME: ITEM 515 BRIDGE NO. 130-4.52 LOGAN COUNTY		REVISED:	
DATE: FEBRUARY '01	APPROVED BY: E.O.C.	2/8/01	DRAWING NO. 1 OF 4



**2 - BEAM NO. B-1 & B-8
(SHOWING B-1)**



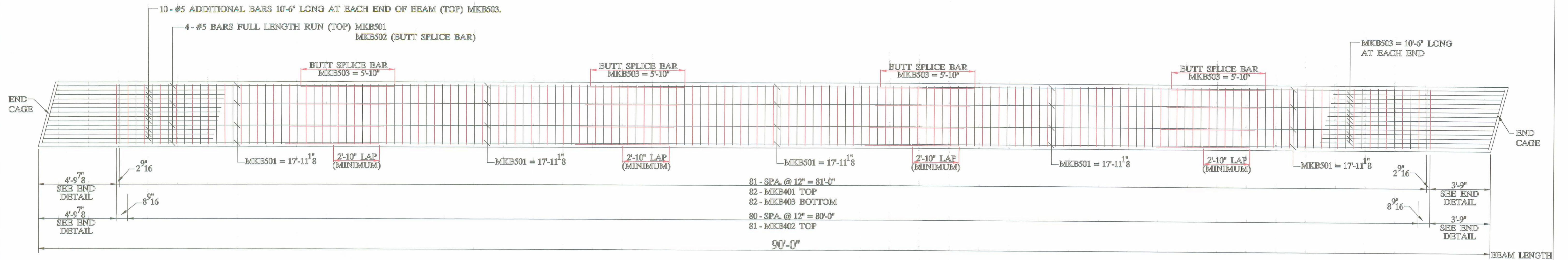
6 - BEAM NO. B-2 THRU. B-7



UNITED PRECAST INC.

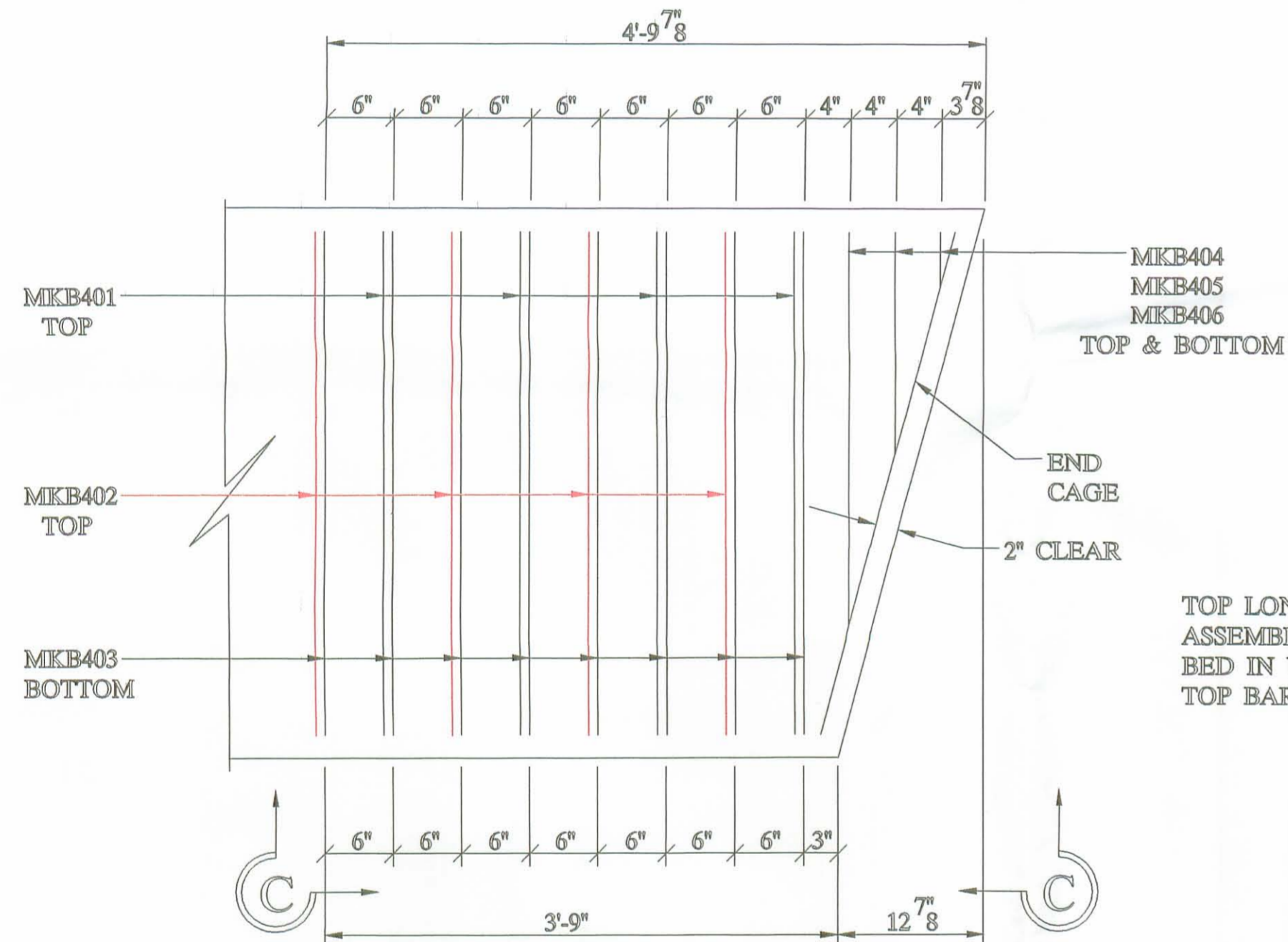
ROUNDDHOUSE LANE
MOUNT VERNON, OHIO 43050
PHONE : (740) 393-1121
FAX : (740) 392-9703

DESCRIPTION: BOX BEAM DETAILS		SCALE: -----	DRAWN BY: PHIL
JOB NAME: ITEM 515 BRIDGE NO. 130-4.52 LOGAN COUNTY		REVISED:	
DATE: FEBRUARY '01	APPROVED BY: E.O.C.	2/8/01	DRAWING NO. 2 OF 4

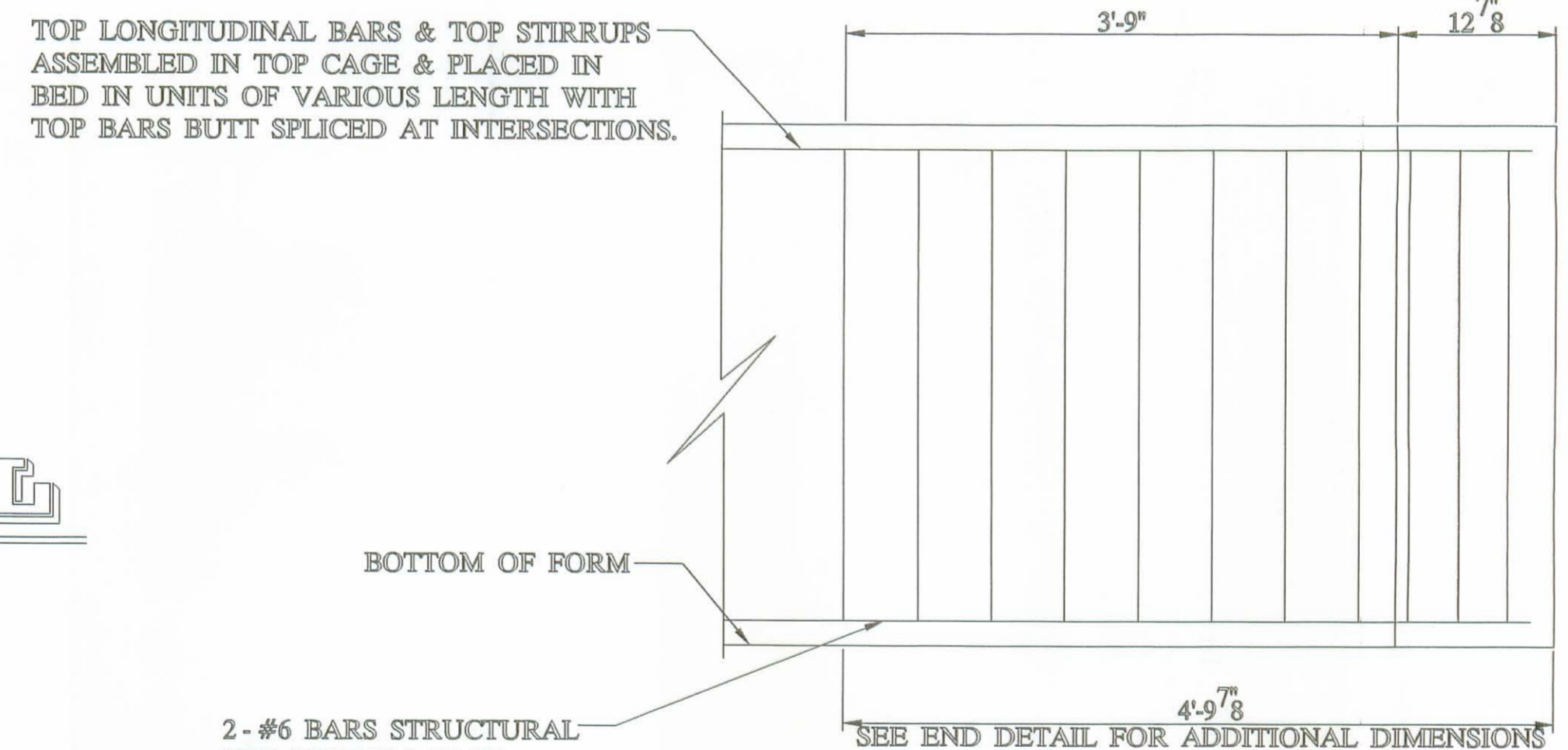


REINFORCING LAYOUT

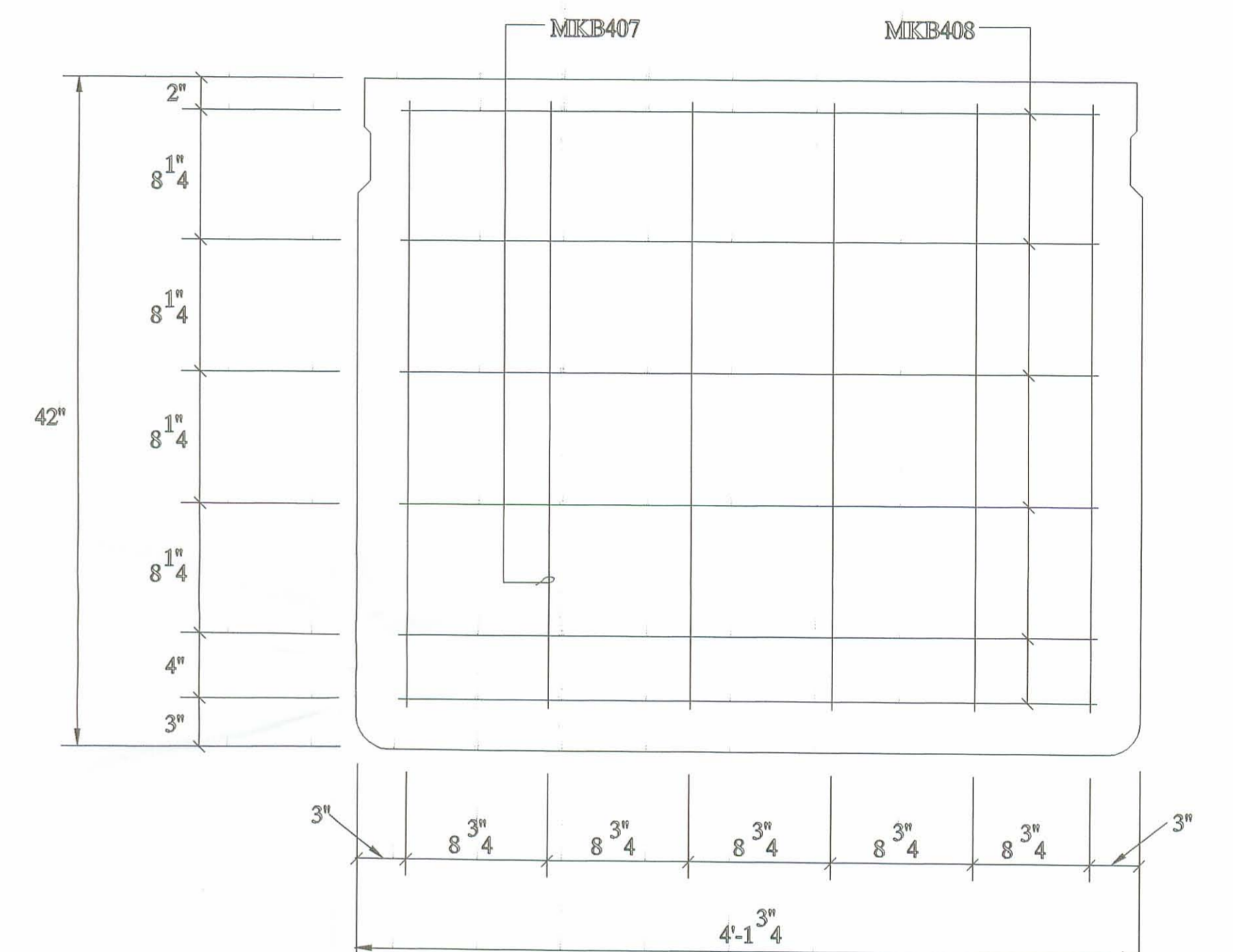
NOTE:
 MINIMUM BUTT SPLICE LENGTH
 REQUIRED IF CAGE FIT UP IS
 PERFECT IS AS FOLLOWS:
 #5, UNCOATED 58" (29" EACH SIDE)
 #6, UNCOATED 68" (34" EACH SIDE)



**(TYP.) END DETAIL
(WITH SKEW)**



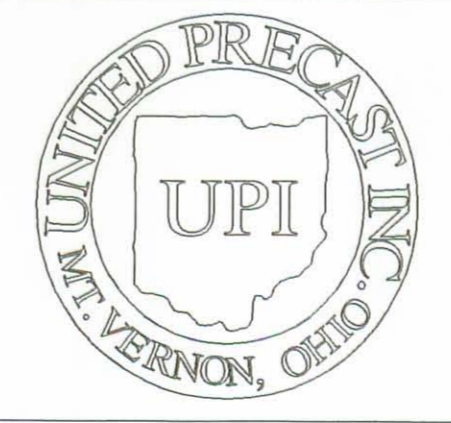
SECTION C-C



**BEAM END CAGE
(WITH SKEW)
8 - B42-48 X 90'-0" WITH 15° L.F. SKEW**

BAR LIST

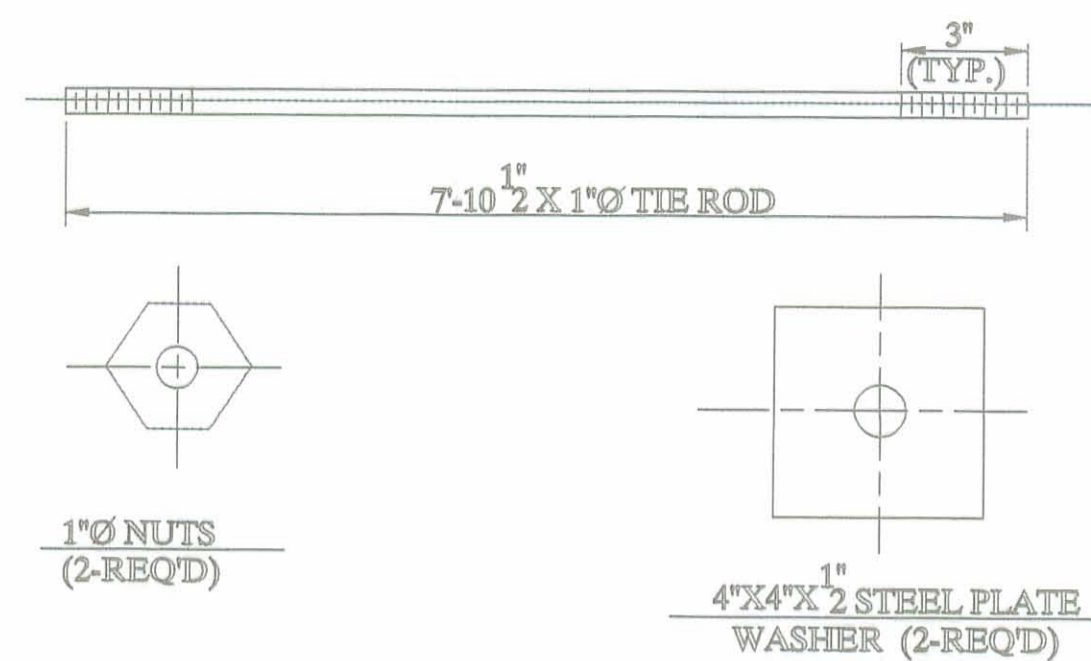
MARK	SIZE	LENGTH	QUANTITY	SHAPE	A	B	C	D	E
B401	4	6'-2 1/2"	720	TYPE - 1	43"	17"	13"	2"	13"
B402	4	6'-2 1/2"	712	TYPE - 1	43"	17"	7"	2"	25"
B403	4	9'-8 1/2"	784	TYPE - 2	43"	38"			
B404	4	6'-6 1/2"	32	TYPE - 2	5"	38"			
B405	4	7'-9 1/2"	32	TYPE - 2	20"	38"			
B406	4	9'-0 1/2"	32	TYPE - 2	35"	38"			
B407	4	3'-2"	96	TYPE - 3	38"				
B408	4	3'-8 3/4"	96	TYPE - 3	44 3/4"				
B501	5	17'-11 1/8"	160	TYPE - 3	17'-11 1/8"				
B502	5	5'-10"	128	TYPE - 3	5'-10"				
B503	5	10'-6"	160	TYPE - 3	10'-6"				
B504	5	17'-11 1/8"	80	TYPE - 3	17'-11 1/8"				
B505	5	6'-8"	64	TYPE - 3	6'-8"				



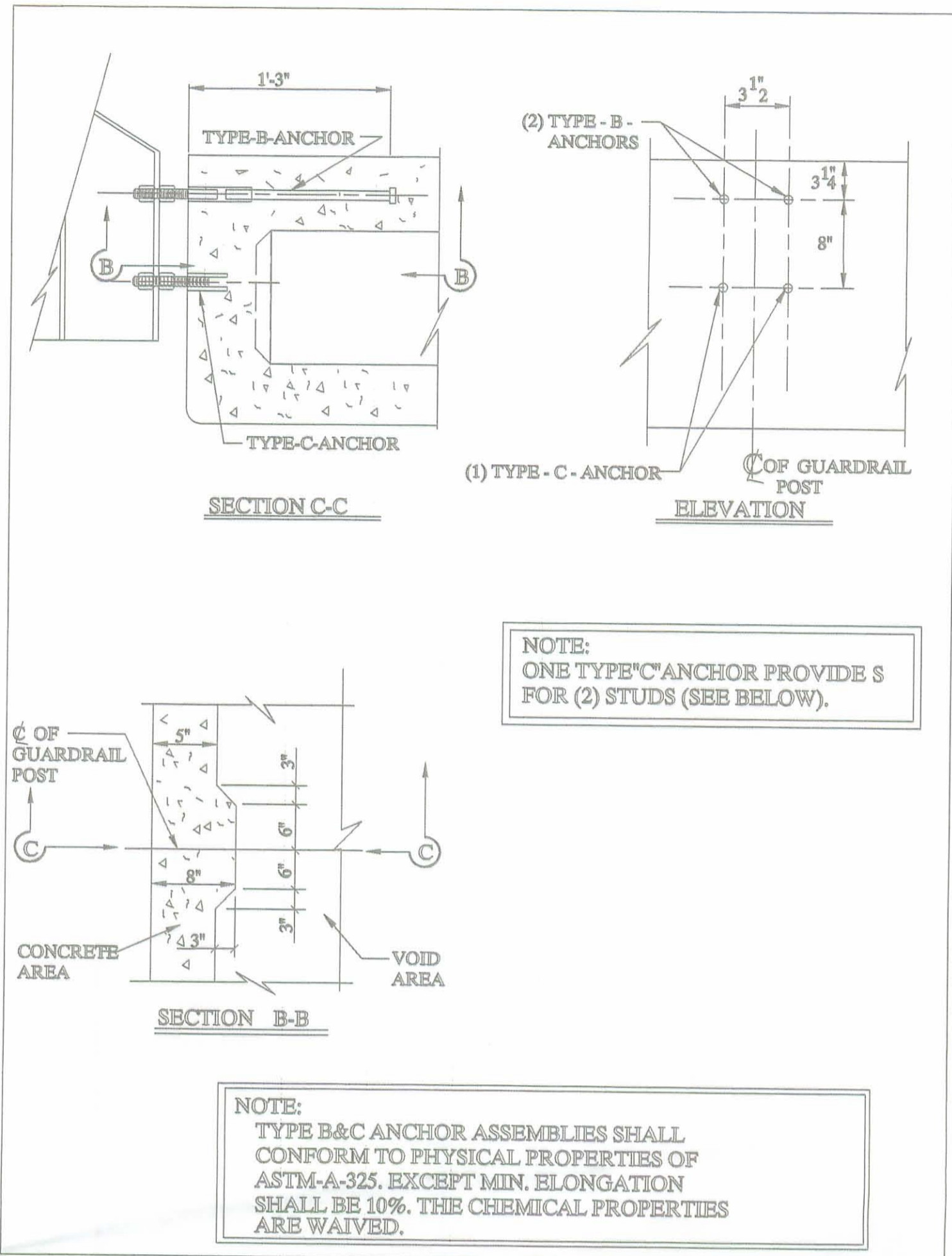
UNITED PRECAST INC.
 ROUNDHOUSE LANE
 MOUNT VERNON, OHIO 43050
 PHONE: (740) 393-1121
 FAX: (740) 392-9703

DESCRIPTION: REINFORCING DETAILS		SCALE: -----	DRAWN BY: PHIL
JOB NAME: ITEM 515 BRIDGE NO. 130-452 LOGAN COUNTY		REVISED:	
DATE: FEBRUARY '01	APPROVED BY: E.O.C. 2/8/01	DRAWING NO. 3 OF 4	

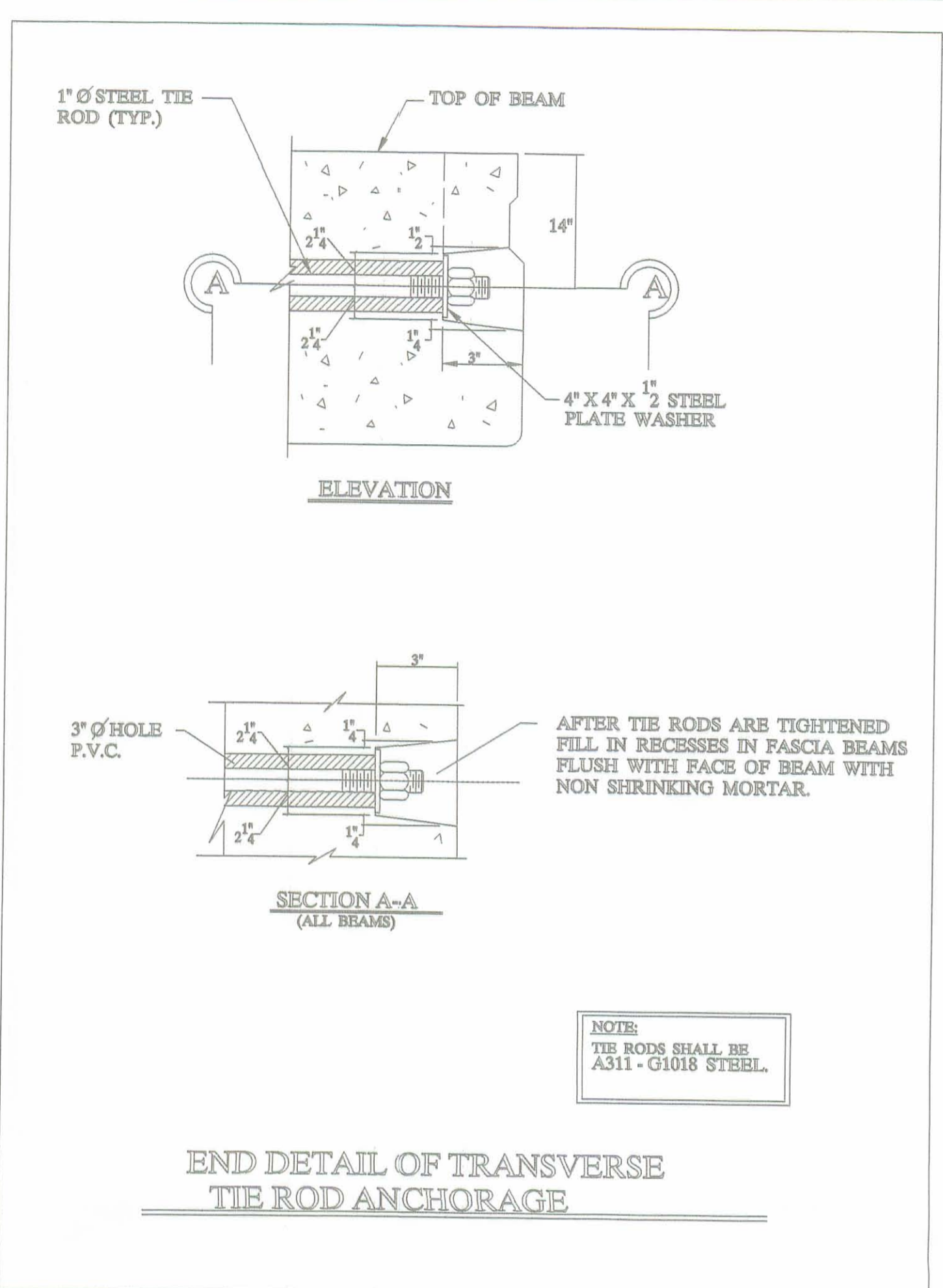
8'-0" TIE ROD ASS'Y



NOTE:
ALL ITEMS INCLUDING TIE RODS ACCESSORIES SHALL BE GALVANIZED IN ACCORDANCE WITH ASTM-123 OR 153. PER CMS 711.02, UNLESS OTHERWISE NOTED.



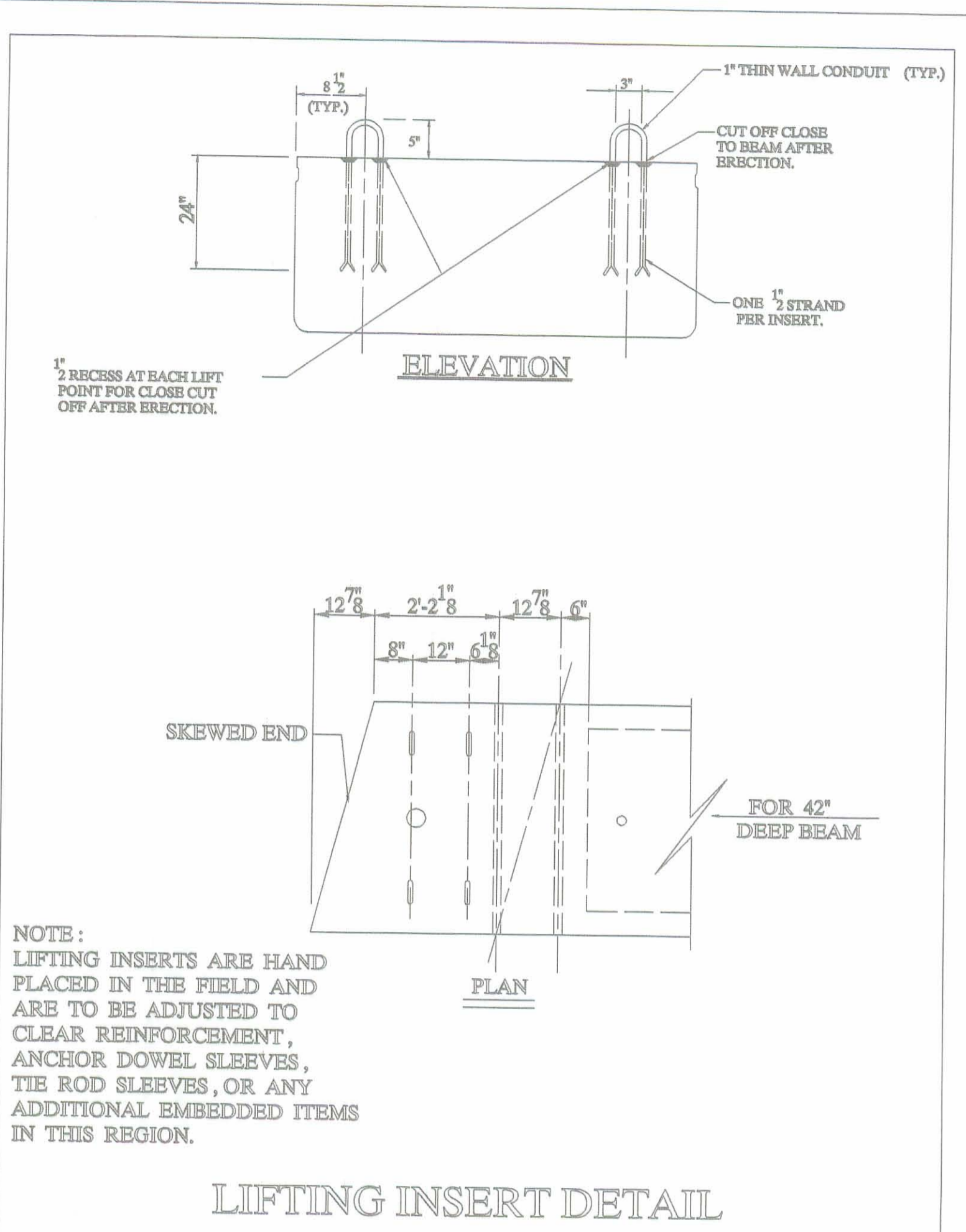
NOTE:
TYPE B & C ANCHOR ASSEMBLIES SHALL CONFORM TO PHYSICAL PROPERTIES OF ASTM-A-325. EXCEPT MIN. ELONGATION SHALL BE 10%. THE CHEMICAL PROPERTIES ARE WAIVED.



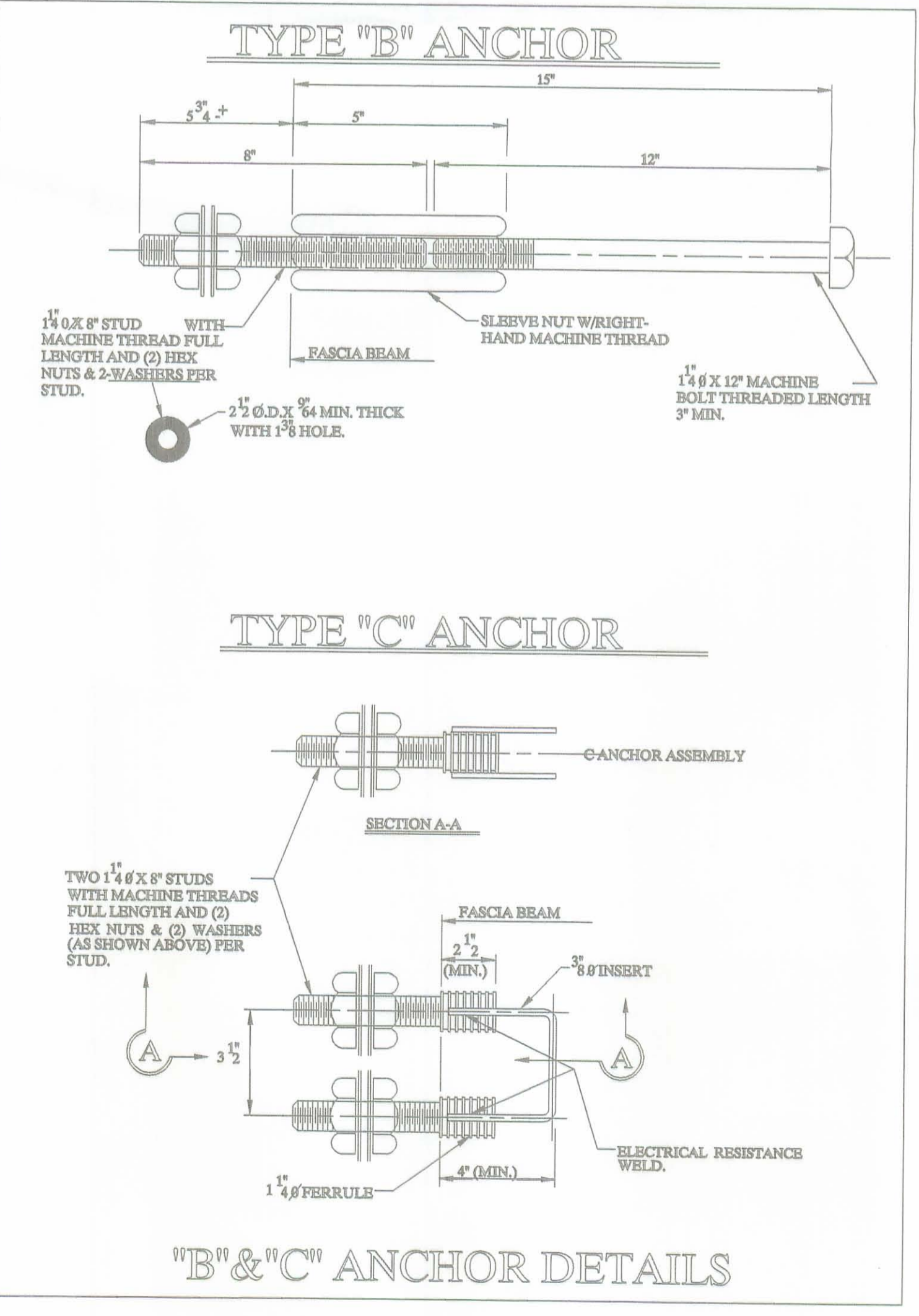
END DETAIL OF TRANSVERSE TIE ROD ANCHORAGE

NOTE:

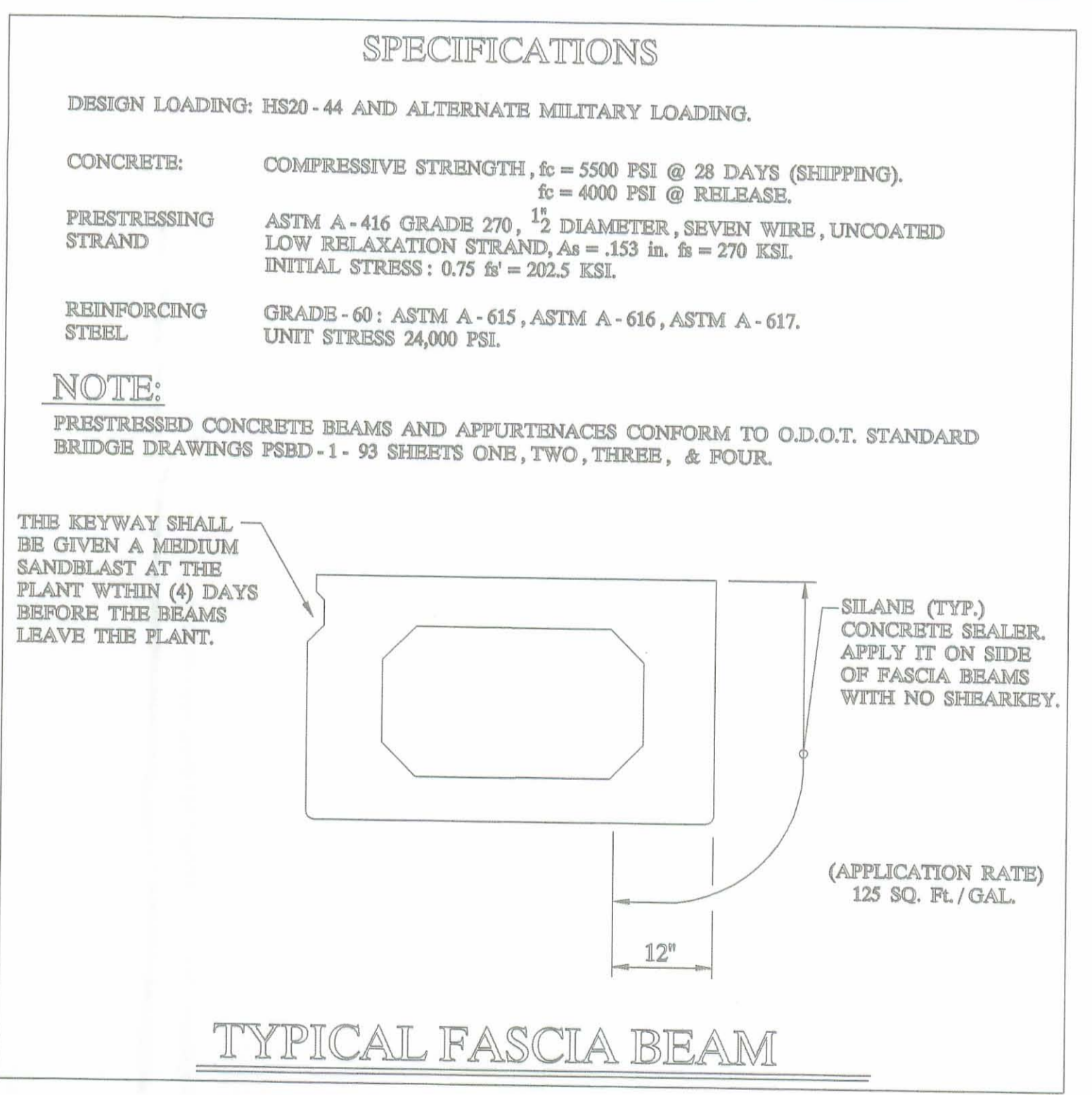
- 1) GALVANIZE ALL HARDWARE PER CMS. 711.02.
- 2) PROVIDE A BROOM FINISH ON TOP SURFACE OF BEAM SUITABLE FOR WATERPROOFING.
- 3) ADD D.C.I. TO CONCRETE (4 - GAL. / CUBIC YARD).
- 4) WATERPROOF BEAM ENDS.
- 5) DETENSION STRAND SYMETRICALLY ABOUT CENTERLINE.



LIFTING INSERT DETAIL



"B" & "C" ANCHOR DETAILS



BRIDGE NO. 130-452 LOGAN COUNTY ITEM 515

UNITED PRECAST INC.

ROUNDHOUSE LANE MT. VERNON, OHIO 43050 PHONE:(740)393-1121, FAX:(740)392-9708	SCALE -----	DRAWN BY: PHIL REVISED
DATE FEB. '01	APPROVED BY: E.O.C.	DRAWING NO. 4 OF 4



LETTER OF TRANSMITTAL

UNITED PRECAST, INC.

P.O. BOX 991 / ROUNDHOUSE LANE, MOUNT VERNON, OH 43050

740/393-1121

800-366-8740

FAX: 740/392-9708

TO: LOGAN COUNTY ENGINEER P.O. BOX 427 BELLEFONTAINE, OHIO 43311	DATE: 2/9/01 JOB NO. 130-4.52 RE: LOGAN COUNTY
---	---

GENTLEMEN: WE ARE SENDING YOU,

ATTACHED UNDER SEPARATE COVER VIA { } THE FOLLOWING ITEMS

X SHOP DRAWINGS PRINTS PLANS SAMPLES SPECIFICATIONS

COPY OF LETTER CHANGE ORDER { }

NO. OF PRINTS	TRANS CODE	DRAWING NUMBER	DESCRIPTION
3	A	1 THRU. 4	PRESTRESSED BOX BEAM DETAILS

TRANSMITTAL CODE

- | | | |
|---|---|--|
| A <input type="checkbox"/> X FOR APPROVAL | E <input type="checkbox"/> APPROVED AS SUBMITTED | I <input type="checkbox"/> REVISE & RESUBMIT { COPIES FOR APPROVAL |
| B <input type="checkbox"/> FINAL APPROVAL | F <input type="checkbox"/> APPROVED AS NOTED | K <input type="checkbox"/> REVISE & SUBMIT { COPIES FOR DISTRIBUTION |
| C <input type="checkbox"/> FOR YOUR USE | G <input type="checkbox"/> RETURNED FOR CORRECTIONS | L <input type="checkbox"/> RELEASE MATERIAL IMMEDIATELY |
| D <input type="checkbox"/> AS REQUESTED | H <input type="checkbox"/> NOT APPROVED | M <input type="checkbox"/> FOR REVIEW AND YOUR COMMENT |

REMARKS: PLEASE RETURN (1) ONE COPY OF SHOP DRAWINGS.

COPY TO : FILE

SIGNED: *Phillip J. Dunham*

"IF YOU WANT IT TO LAST, USE UNITED PRECAST"

OFFICE OF THE
LOGAN COUNTY ENGINEER

*P.O. Box 427
1991 Rd. 13
Bellefontaine, Ohio 43311*

JAMES K. COX, P.E., P.S.
Engineer

Telephone: (937) 592-2791
Fax: (937) 599-2658

February 16, 2001

FILE COPY

Phillip Durlom
United Precast, Inc.
P.O. Box 991
Mount Vernon, OH 43050

Dear Phillip Durlom:

I have reviewed the enclosed shop drawings and everything appears to be in order. This office has approved the drawings.

I would also like to remind you that we prefer that only the guardrail posts be attached to the fascia beams. Tubular backup and rail should be delivered unattached. The bid specs also called for six (6) W6x25 posts for ends of rail off of the bridge.

Sincerely,



Scott C. Coleman, P.E., P.S.
Chief Deputy Engineer