

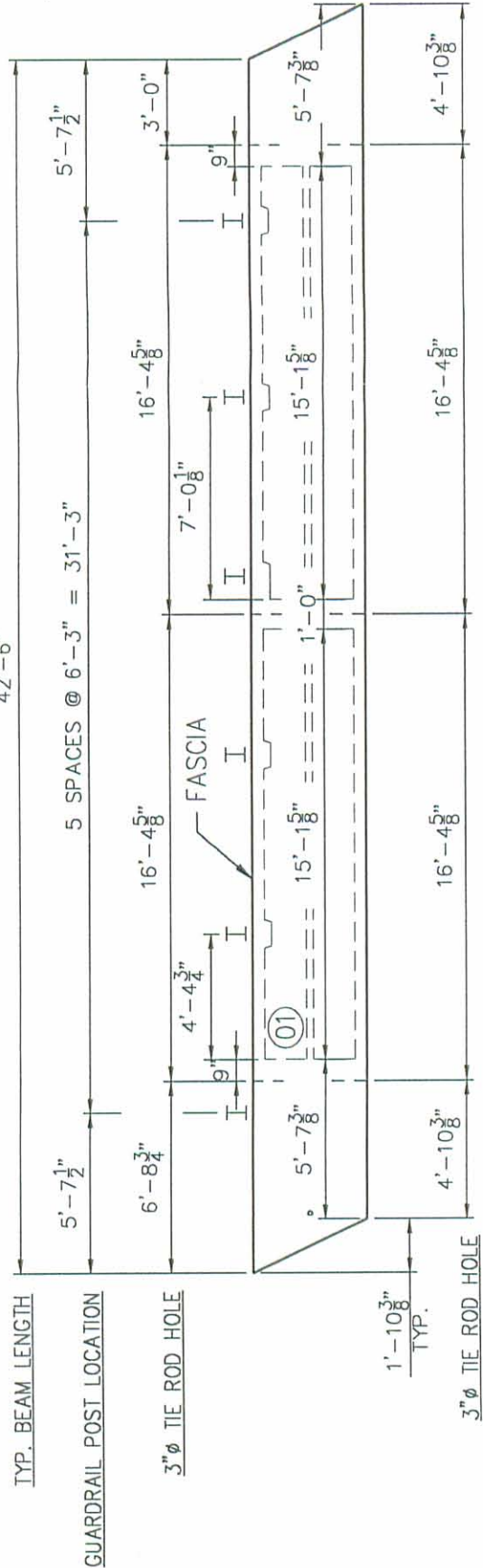


**PRELIMINARY**

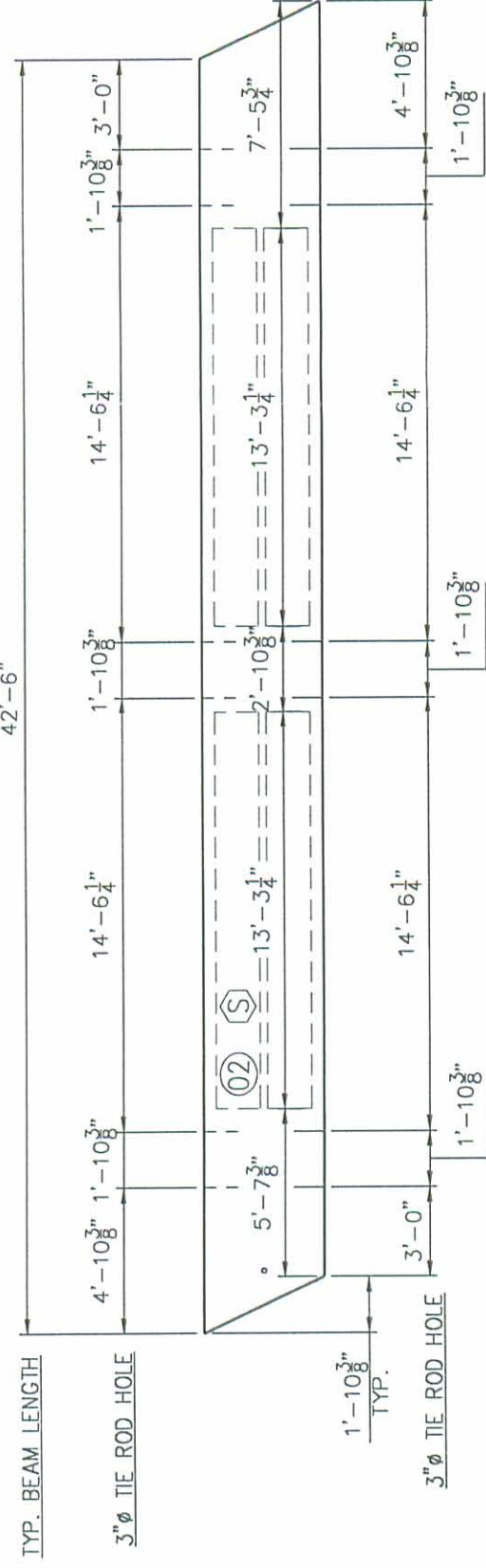
SEP 19 2000

P.S.M.

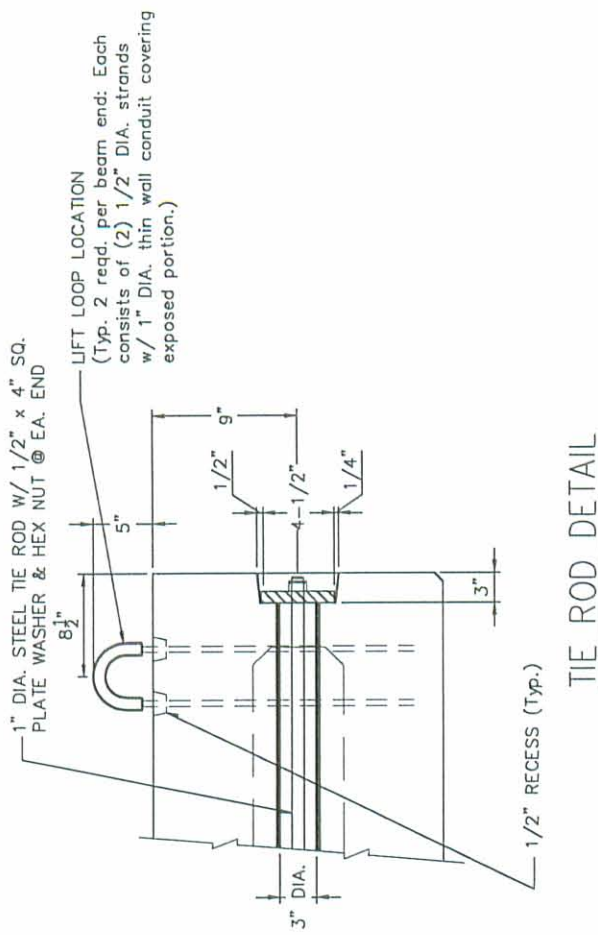
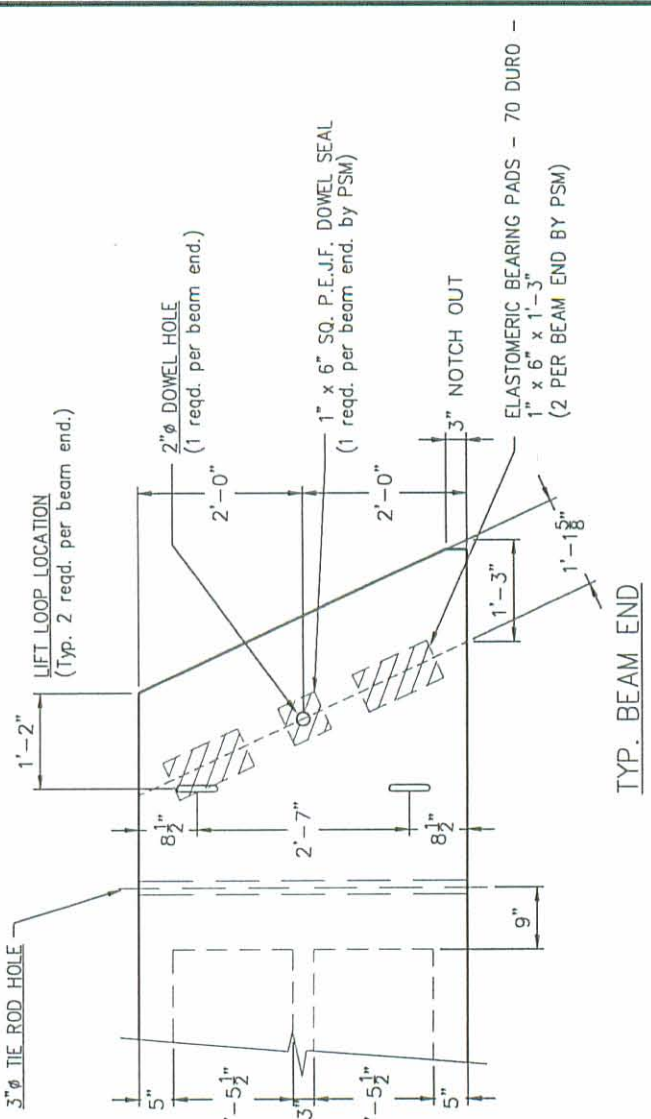
DATE	NO. of COPIES	DWG STATUS	INNER-PLANT USE



TIE ROD / VOID LAYOUT - MK. 01 (2 REQD. THUS) WT. = 28,242 LBS.



TIE ROD / VOID LAYOUT - MK. 02 (6 REQD. THUS) WT. = 29,038 LBS.



TIE ROD DETAIL

DATE	BY	REVISION	CONTRACTOR	COUNTY FORCES	PROJECT	SHOP NO.
					LOGAN COUNTY, OHIO BRIDGE No. 130 - 3.94	MO266
						SHEET NO. 2 of 3

**PRESTRESS SERVICES**

PRODUCING PLANT:  
ROUTE B  
P.O. BOX 211  
MELBOURNE, KENTUCKY  
41059  
PH: (606) 441-0068  
FAX: (606) 441-7986

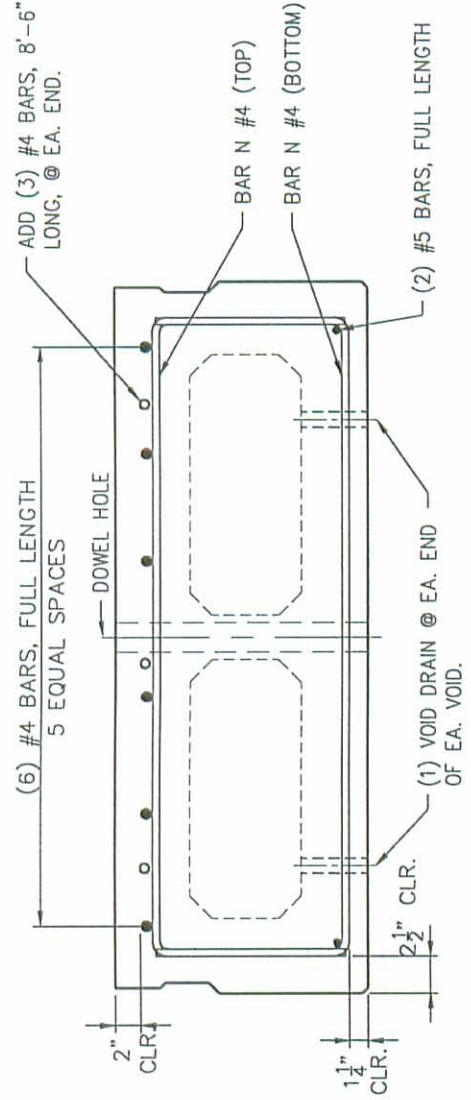
AFFILIATES:  
7850 NW WINCHESTER RD.  
DECATUR, INDIANA  
46733-0111  
PH: (219) 724-7117  
FAX: (219) 724-3349

VALLEY ROAD  
INDUSTRIAL PARK  
LEWISBURG, KENTUCKY  
40355-5435  
PH: (606) 999-0461  
FAX: (606) 299-0147

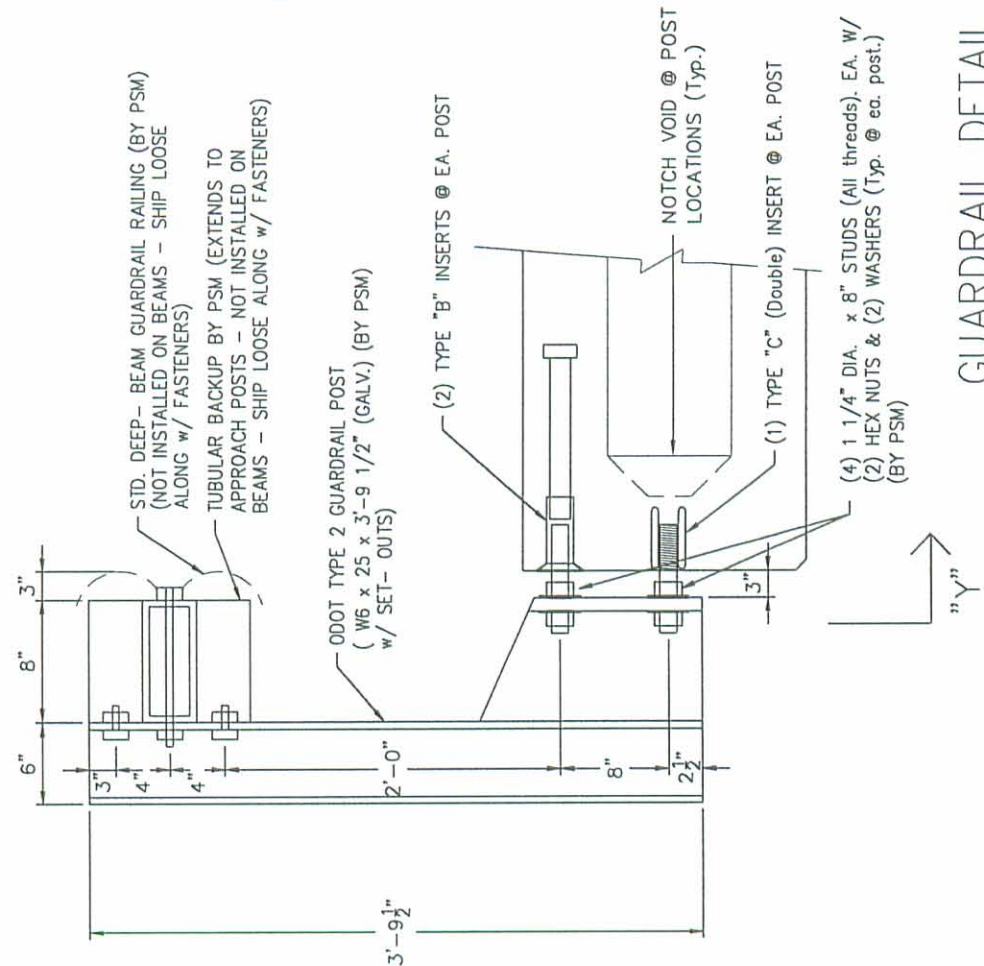
CONTRACTOR: COUNTY FORCES  
DRAWN: WAH  
DATE: 9/15/00  
CHECKED: DATE  
APPROVED: DATE

**PRELIMINARY**  
 SEP 19 2000  
 P.S.M.

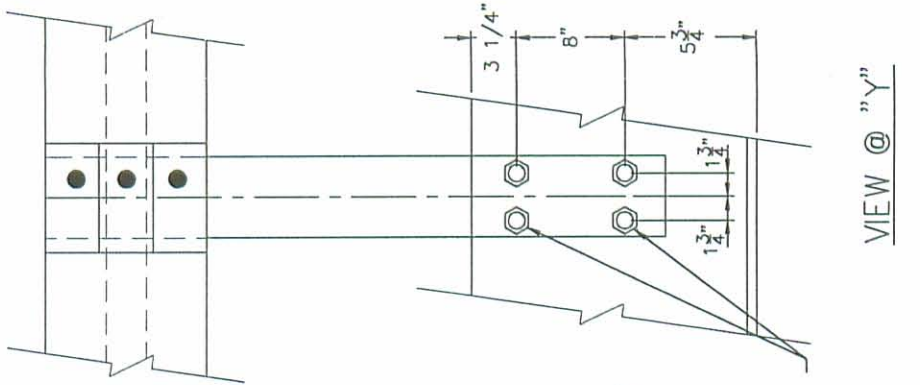
DATE	BY	REVISION



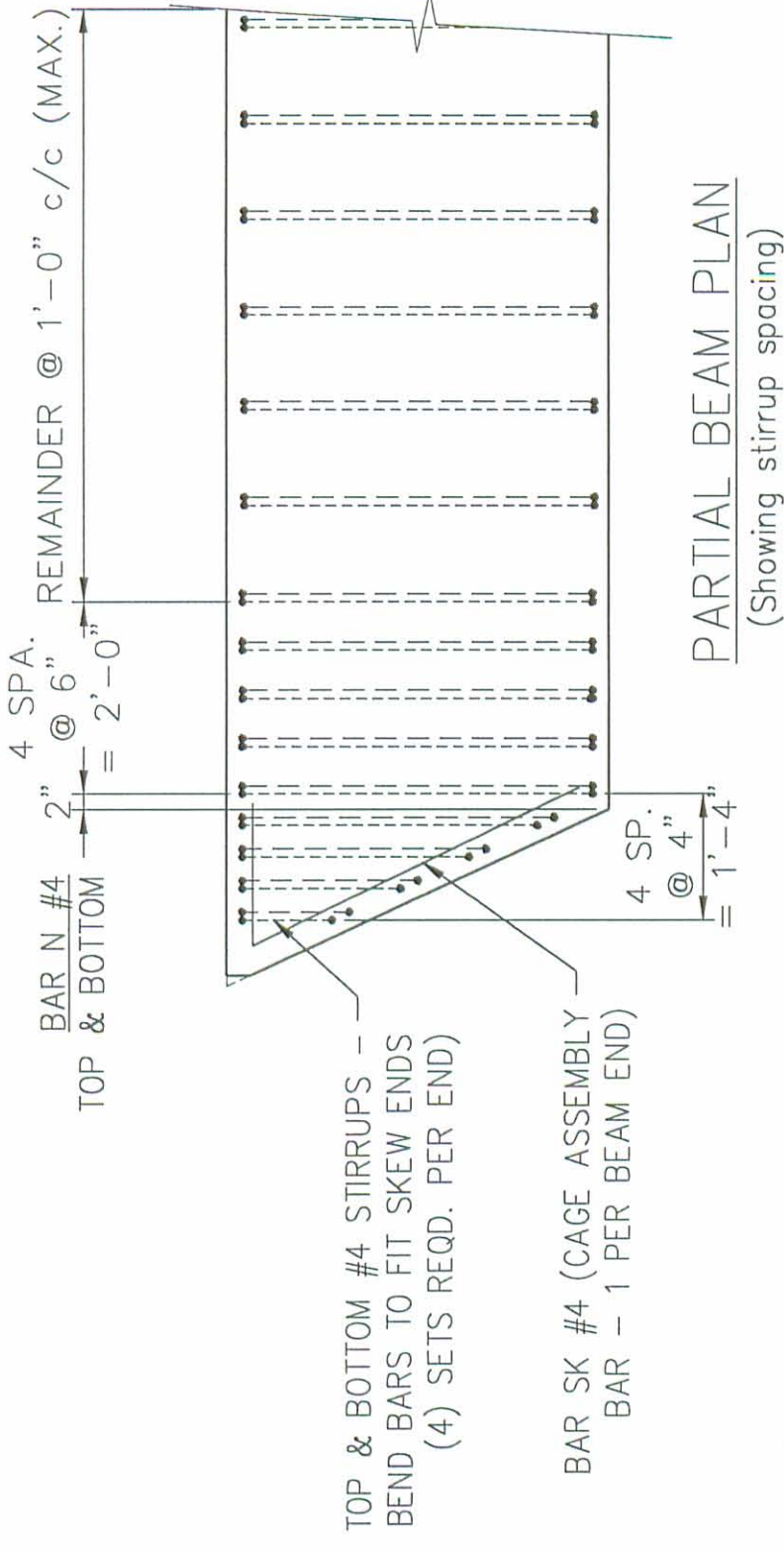
**STEEL SECTION**



**GUARDRAIL DETAIL**



**VIEW @ "Y"**



**PARTIAL BEAM PLAN**  
 (Showing stirrup spacing)

MARK	BAR SIZE	No. REQD.
BAR N (TOP)	#4	46
BAR N (BOTTOM)	#4	46
BAR SK	#4	2

<b>PRODUCING FIRM:</b> ROUTE 6 P.O. BOX 211 MELBOURNE, INDIANA 41055 PH: (606) 441-0068 FAX: (606) 441-7956		<b>AFFILIATES:</b> 7835 NW WINDCHESTER RD. P.O. BOX 111 DECATUR, INDIANA 41055 PH: (606) 724-7117 FAX: (606) 724-3249		<b>CONTRACTOR:</b> COUNTY FORCES DRAWN WAH DATE 9/15/00 CHECKED DATE APPROVED DATE		<b>PROJECT:</b> LOGAN COUNTY, OHIO BRIDGE No. 130 - 3.94		<b>SHOP NO.</b> M0266	
<b>INNER-PLANT USE:</b> DATE NO. of COPIES DWC. STATUS		<b>DATE</b> DATE DATE		<b>DATE</b> DATE DATE		<b>DATE</b> DATE DATE		<b>SHEET NO.</b> 3 of 3	

