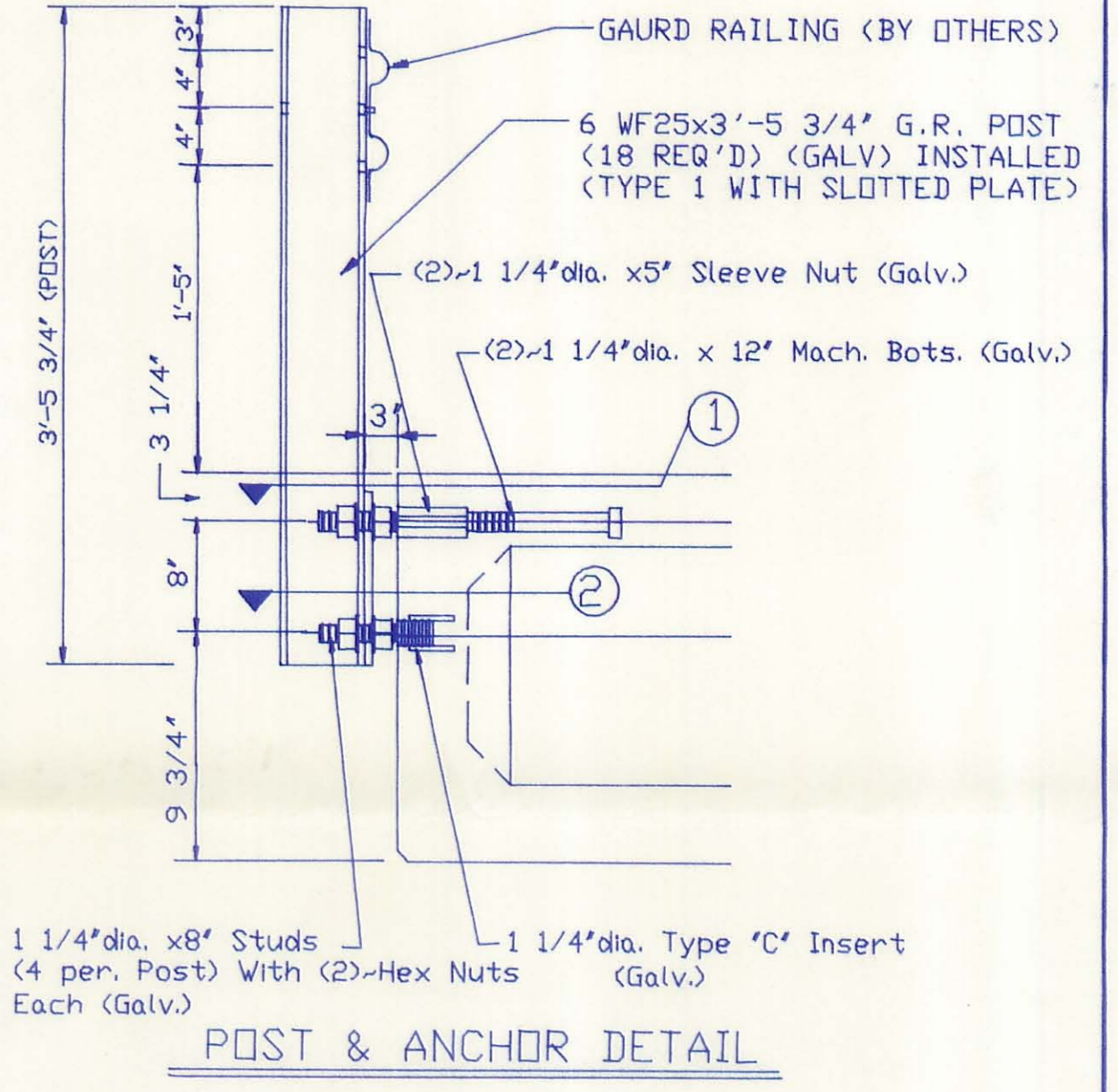
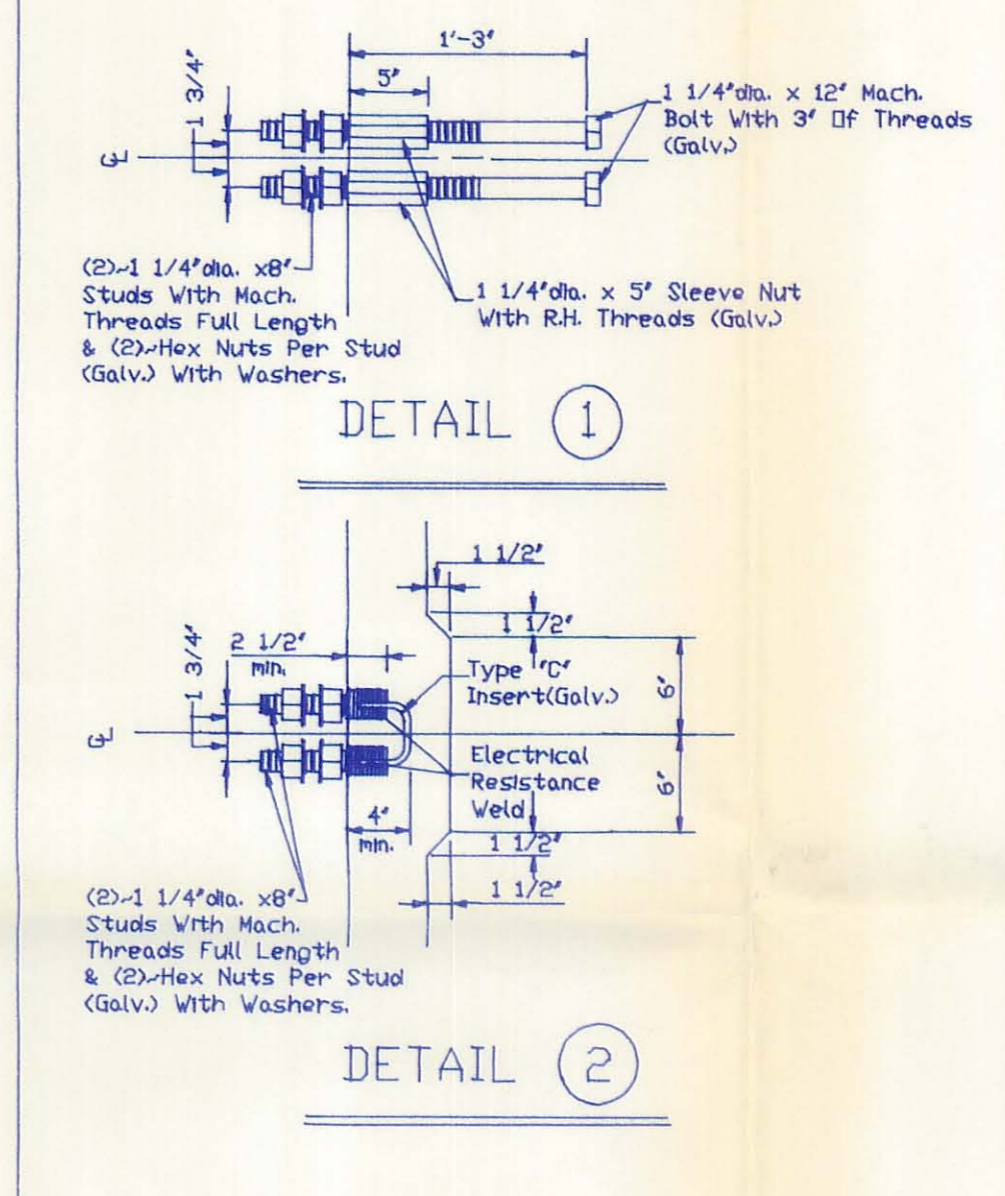
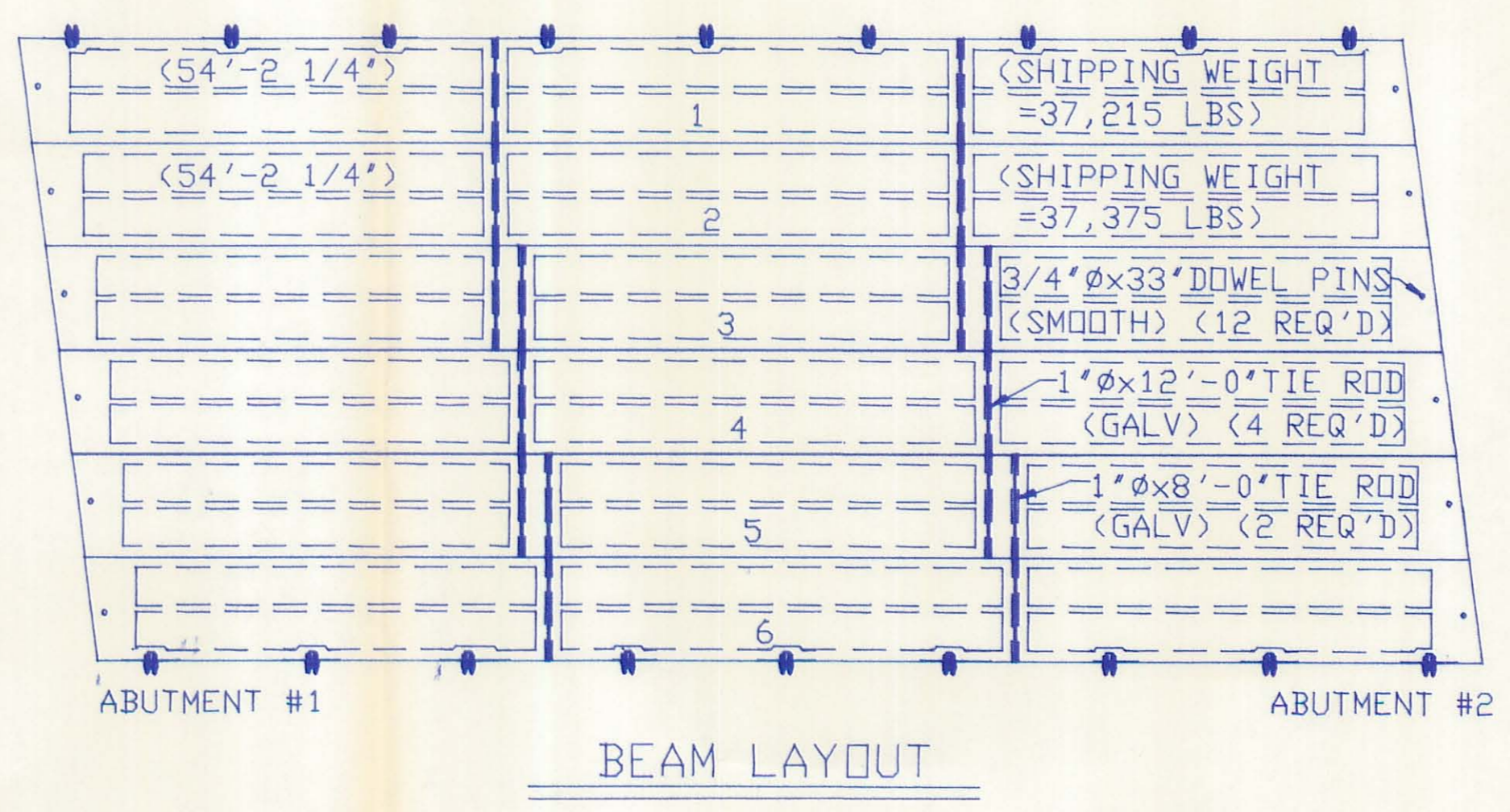
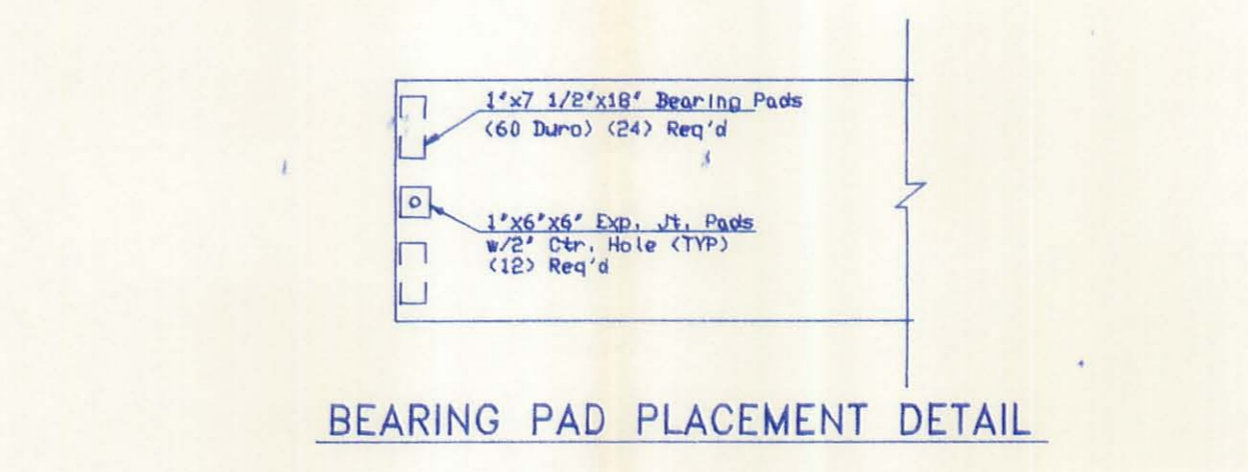
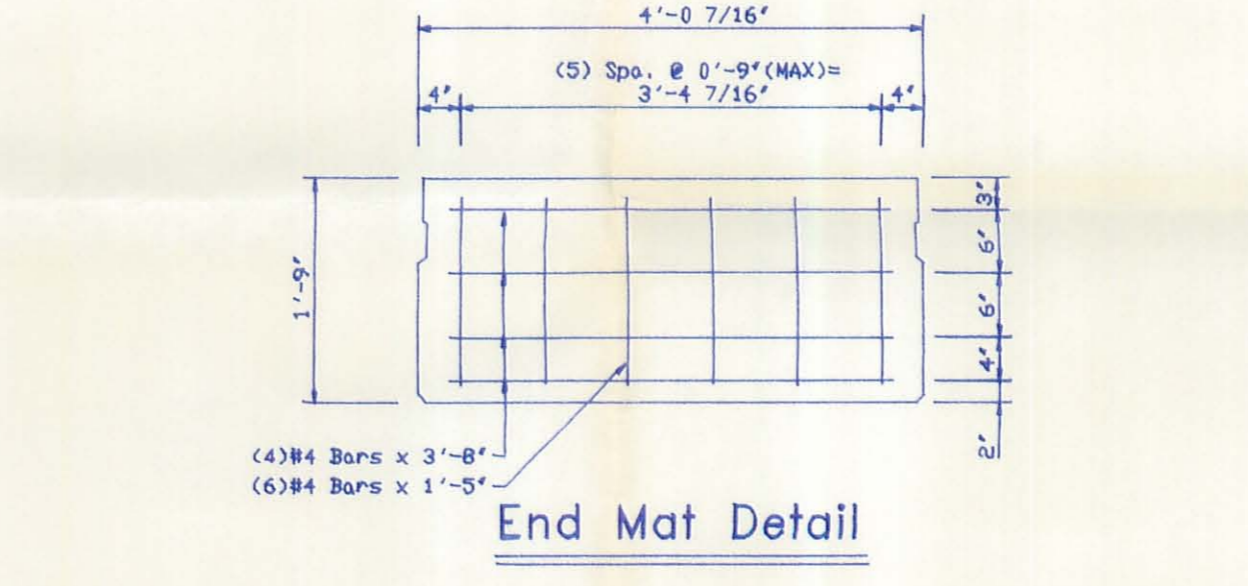
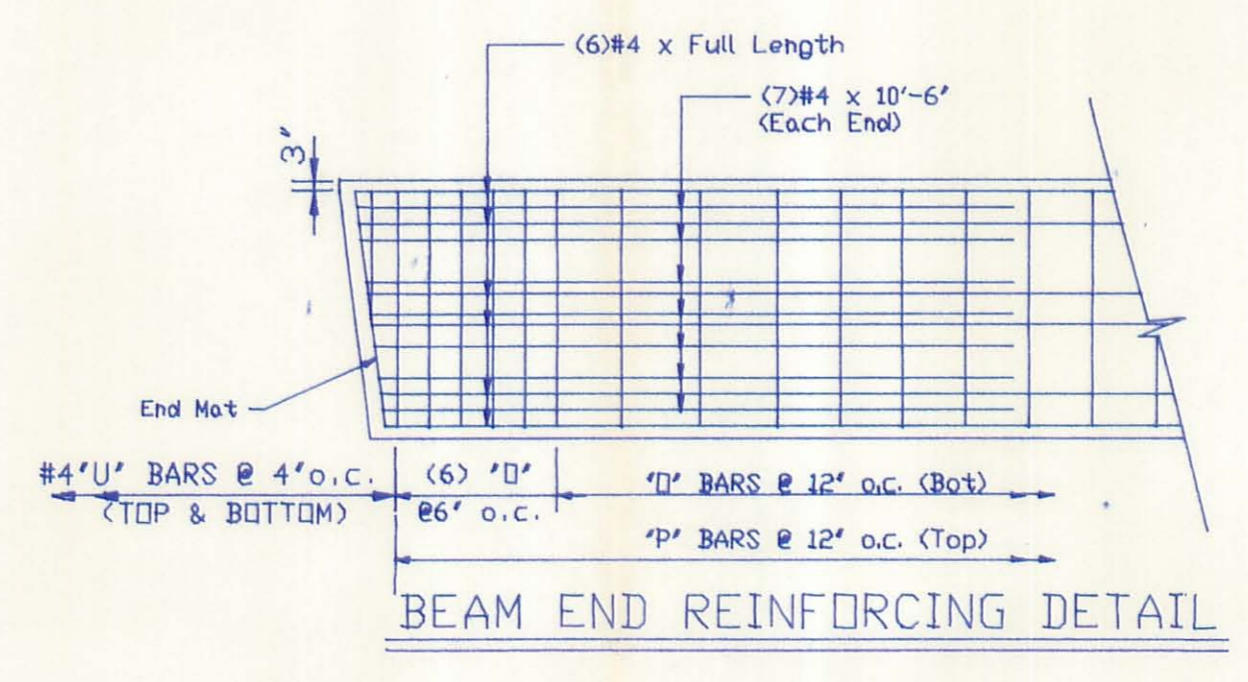
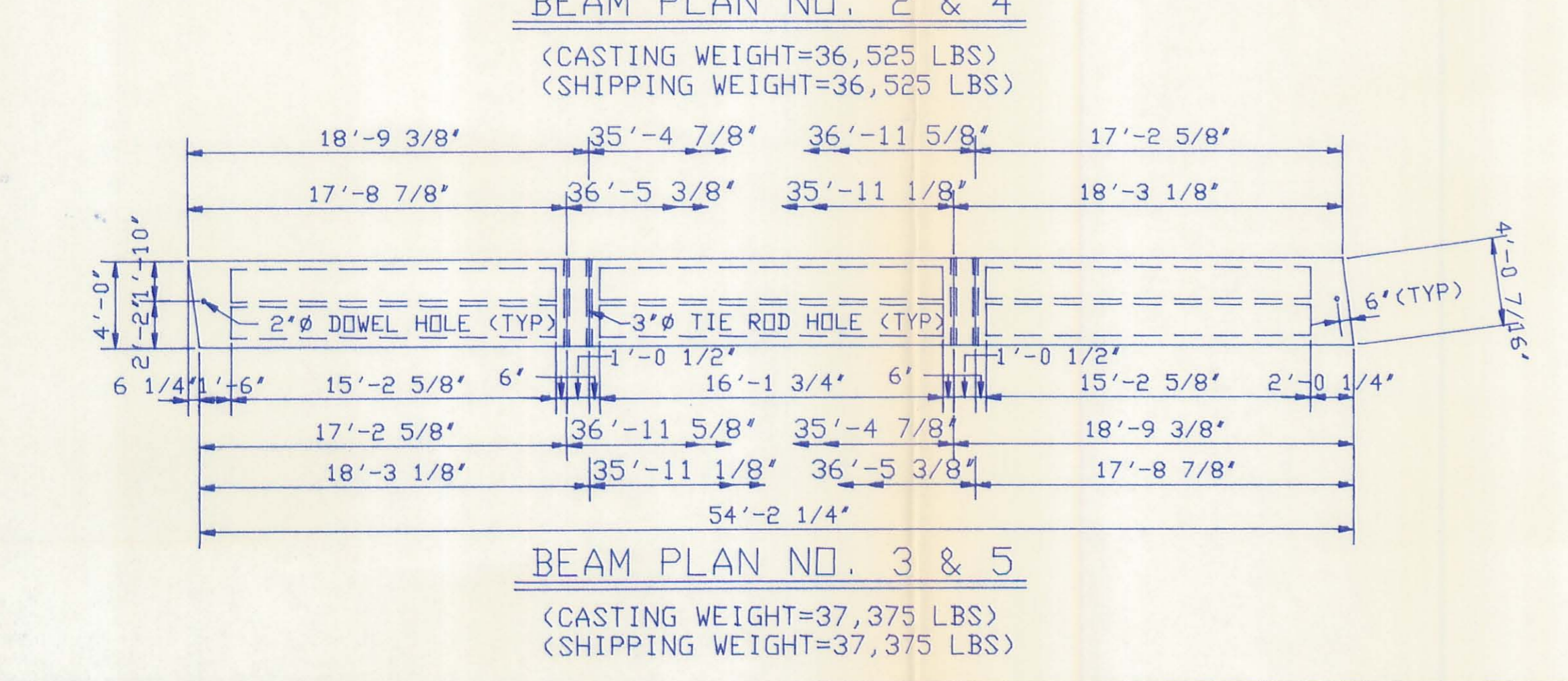
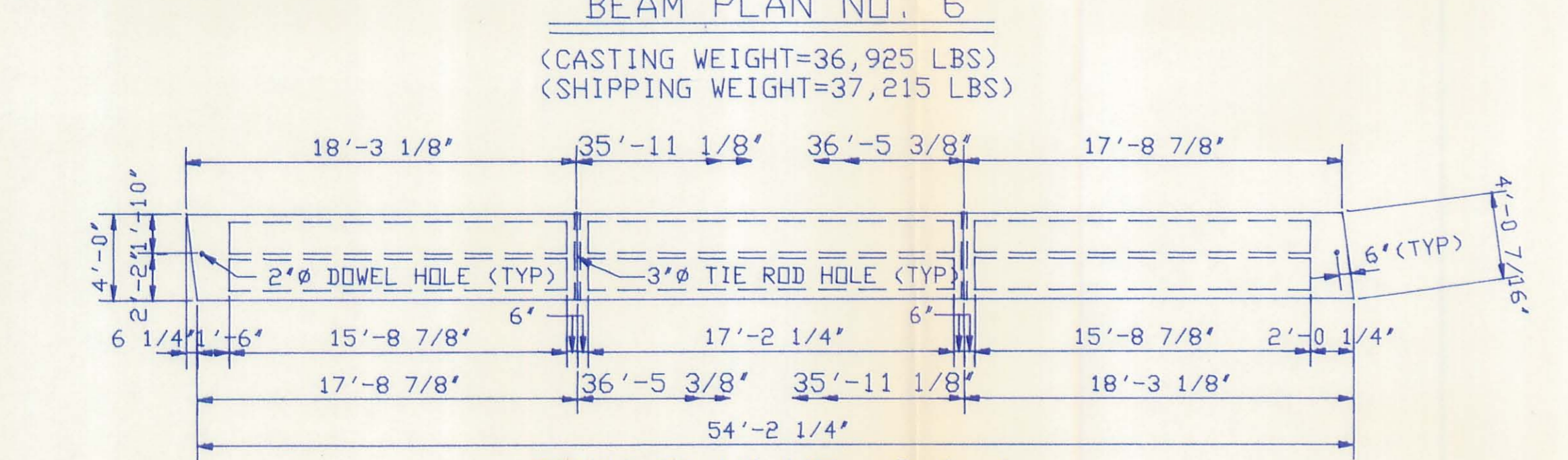
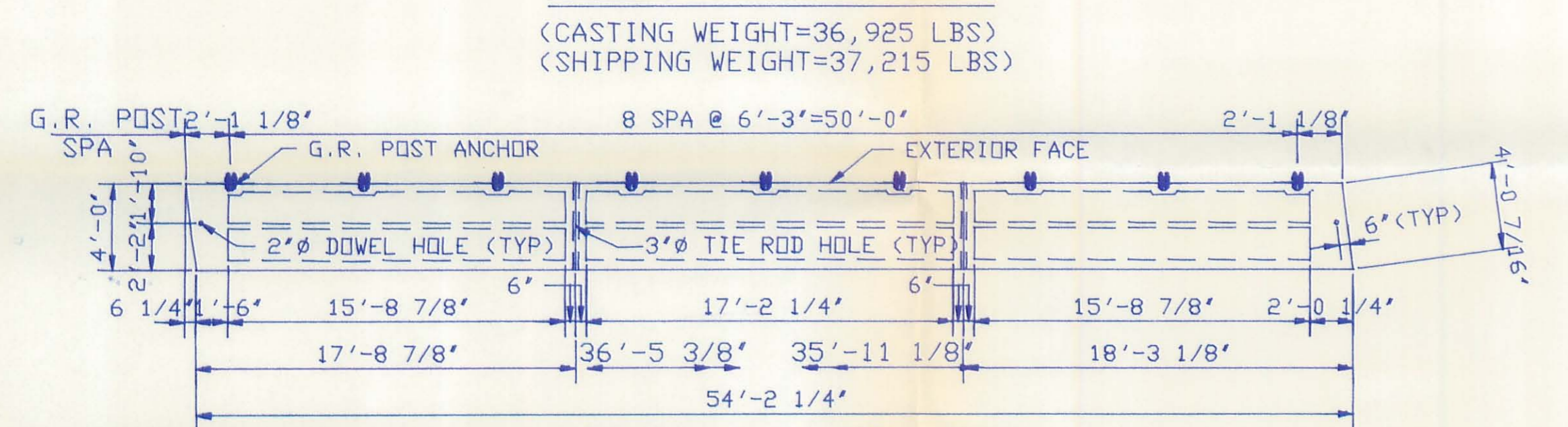
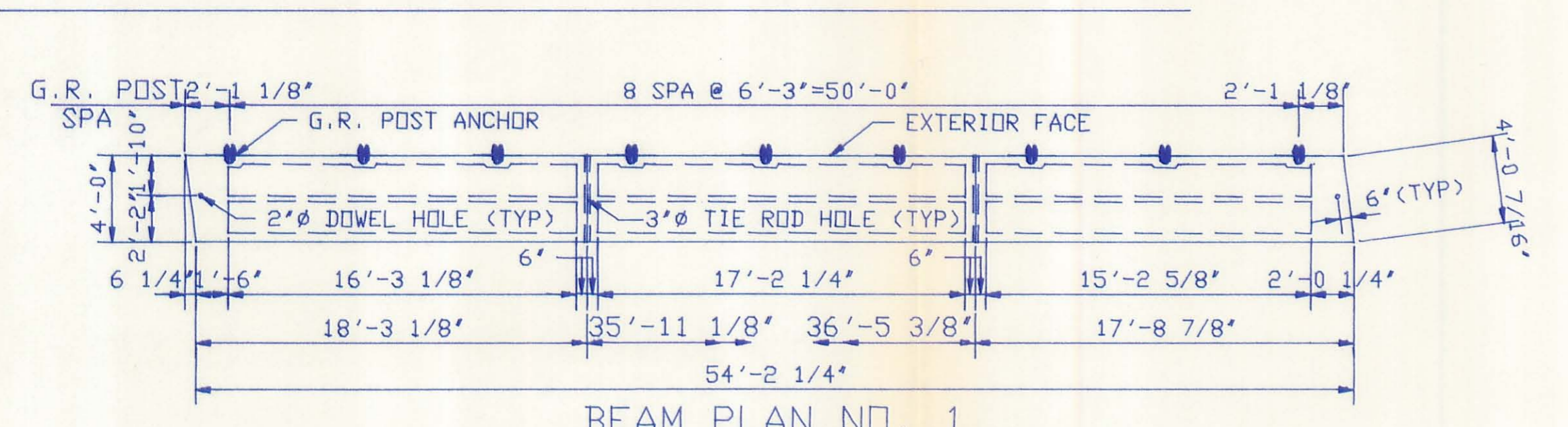
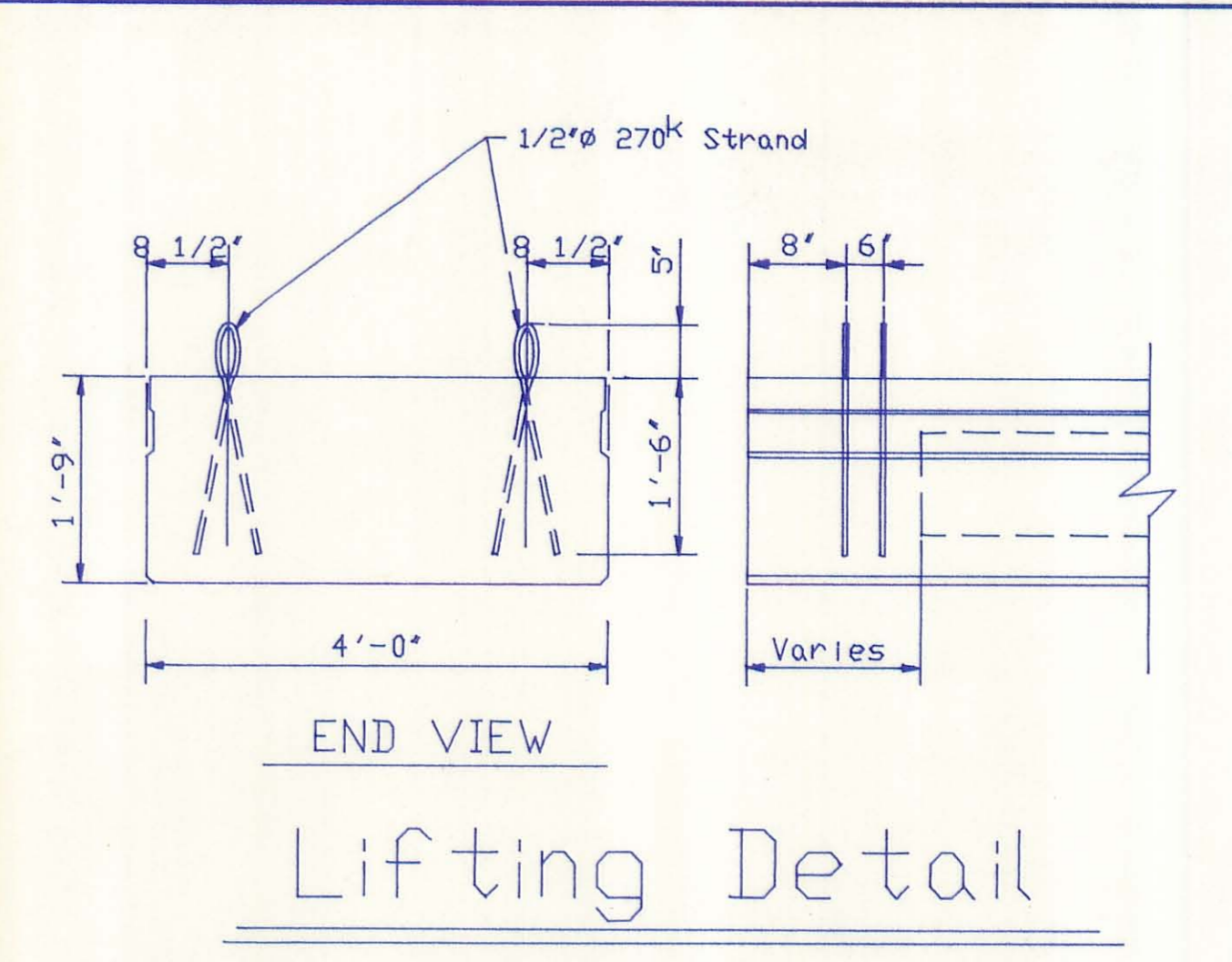
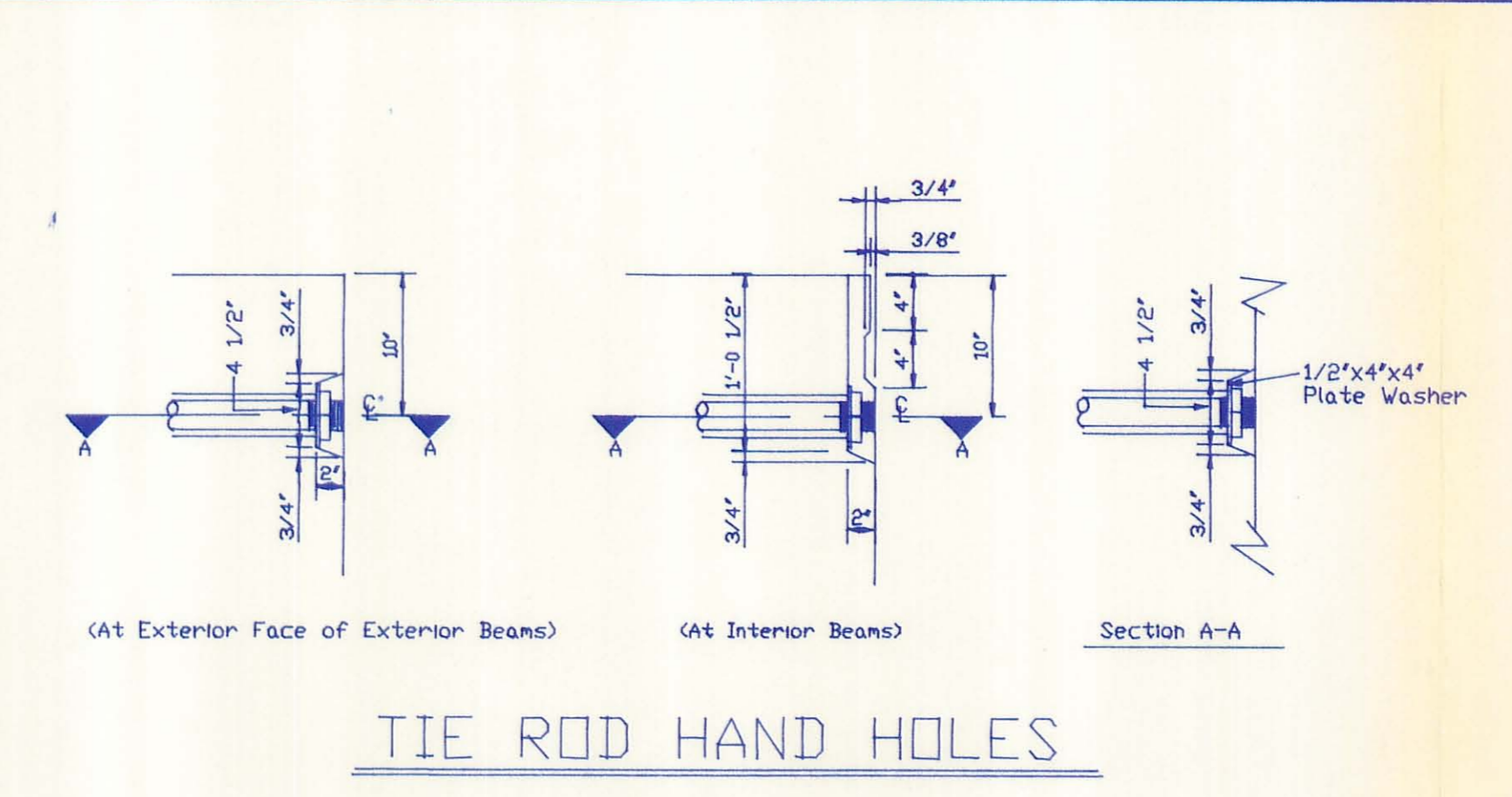
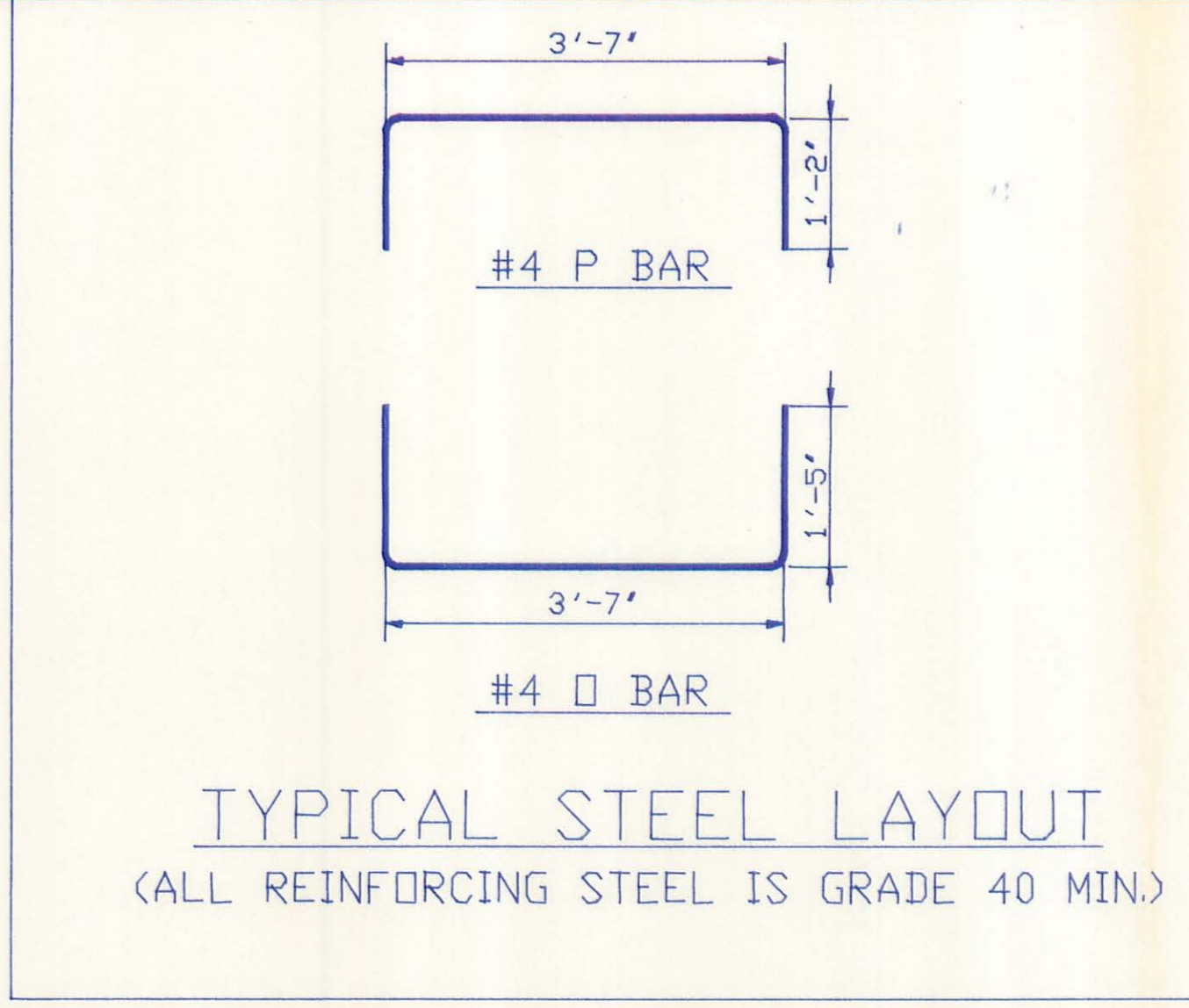


Typ. Cross Section.



- NOTES:
1. CONCRETE STRENGTH AT TIME OF PRESTRESSING IS 4000 P.S.I. AND AT 28 DAYS IS 5500 P.S.I.
  2. DETENSION STRAND SYMMETRICALLY ABOUT CENTER LINE.
  3. LOADING= HS-20-44 & ALTERNATE MILITARY.
  4. BEAM WEIGHT=SEE BEAM PLANS
  5. TOP SURFACE OF BEAMS GIVEN A FLAT FLOAT FINISH
  6. ANTICIPATED CAMBER AS SHOWN ON PROJECT PLANS=2 1/2"
  7. WATERPROOF BEAM ENDS
  8. OMIT KEYWAY ON EXTERIOR FACE OF EXTERIOR BEAMS

CHANGES ARE NOTED AS DIFFERENT FROM O.D.D.T. STD. DWG. P.S.B.D.-1-81 AND ARE VARIED PER. NOTE ON DWG. P.S.B.D.-1-81 SHT 2 OF 4.

1. 3/4" KEYWAY TO 4/4" KEYWAY.
2. TIE ROD HAND HOLE FROM 9" TO 10".

OK Job 4-29-92

REVISIONS				Project	
No.	Description	Date	By	Br. No.	LOG-TR107-1.63
				County, State	LOGAN COUNTY OHIO
				Location	
				Contractor	COUNTY FORCES
				Date	4-24-92
				Drawn By	E.J.S.
				Checked By	W.B.A.
				P.C.#	9421
				Job No.	2554
				Drawing No.	1 OF 1