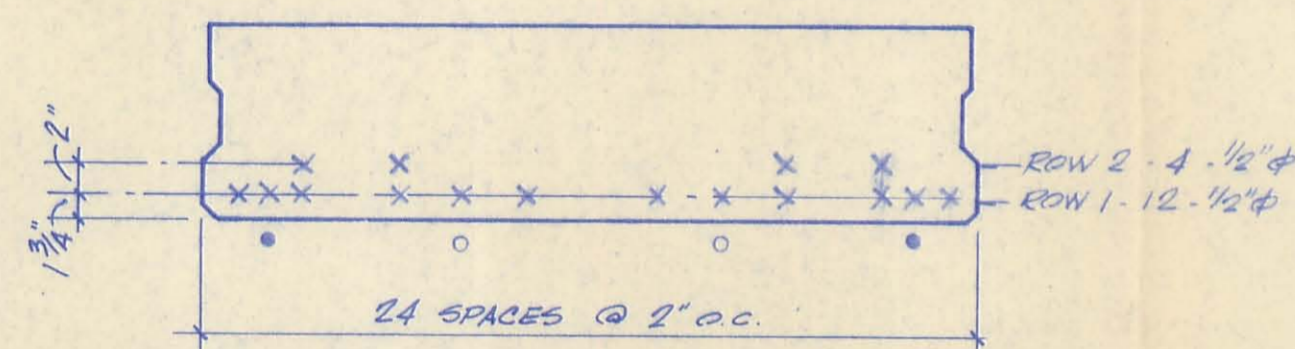
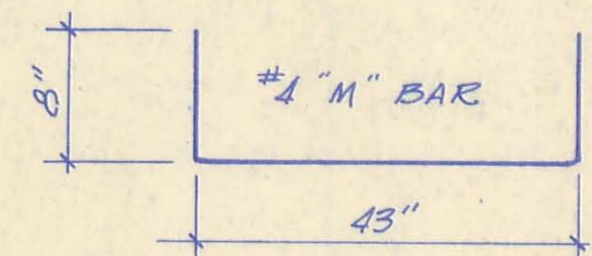


TYP. CROSS SECTION

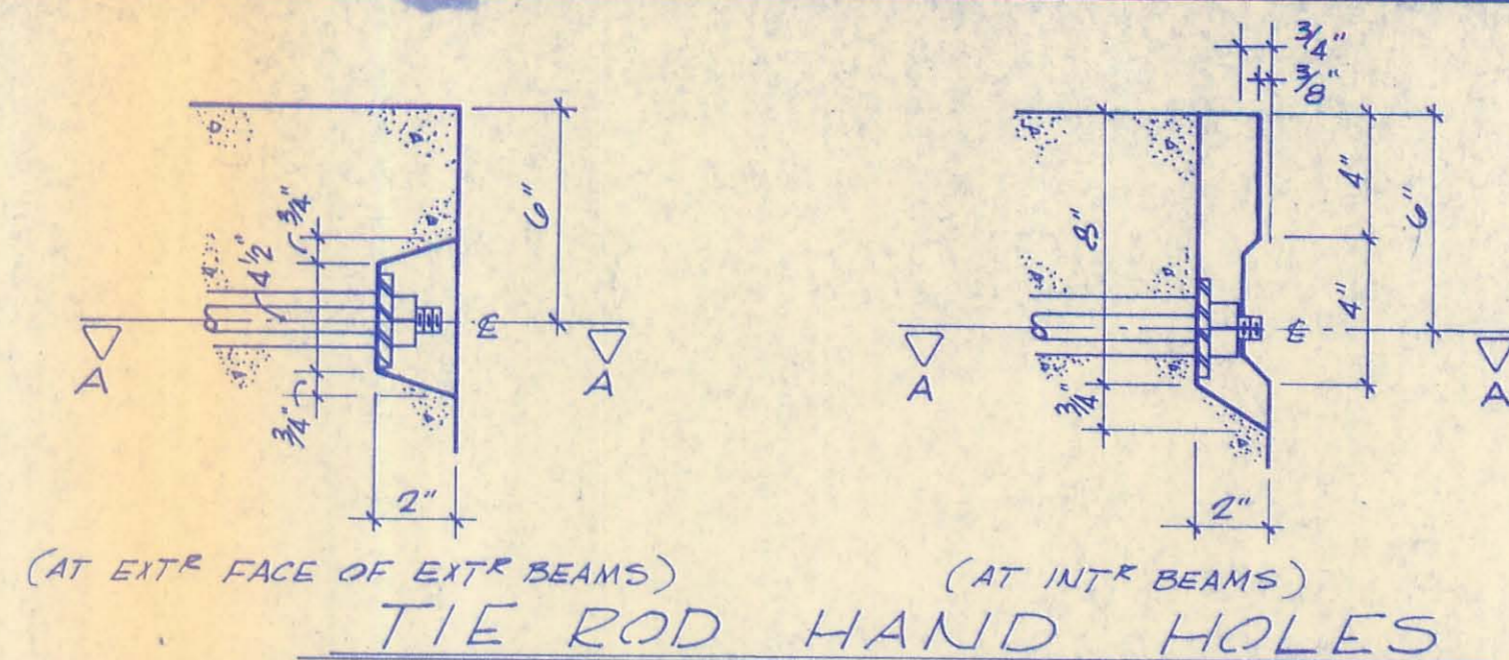


12 - 1/2" φ - 270K STRAND FULLER @ 28,900
 BREAK BOND : 2 @ 1'-6" AT EA. END OF BEAM
 2 @ 2'-6" AT EA. END OF BEAM

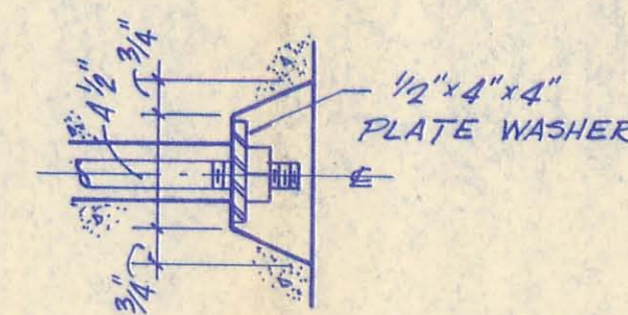
TYP. STRAND PATTERN



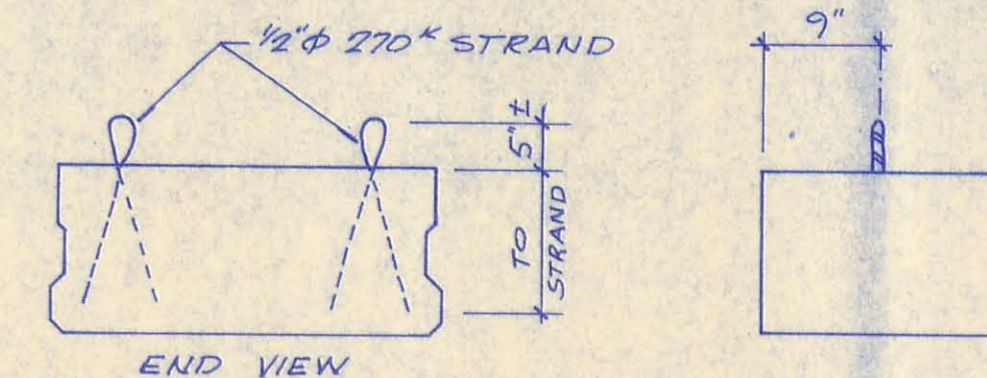
TYP. STEEL LAYOUT



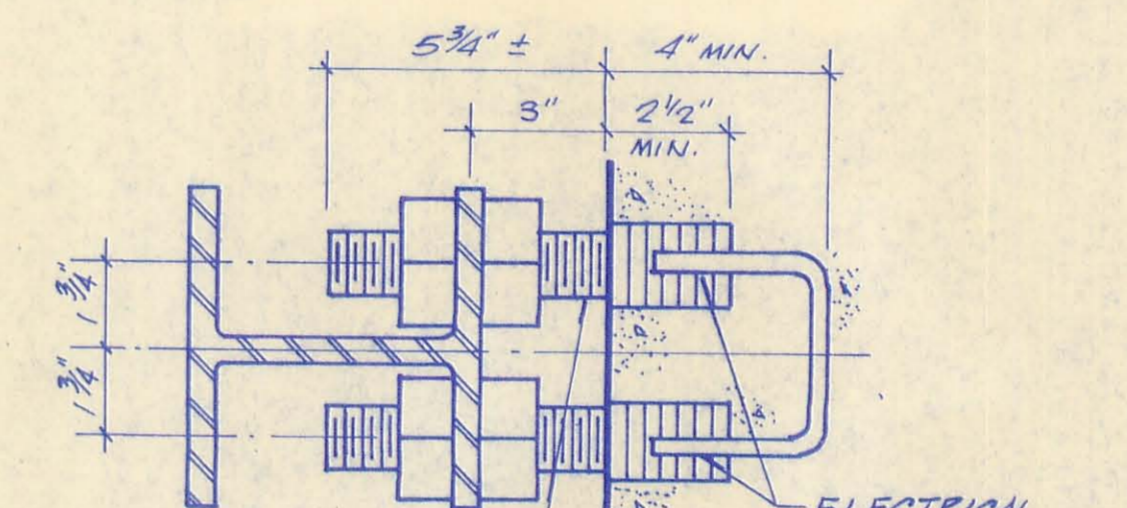
TIE ROD HAND HOLES



SECTION A-A

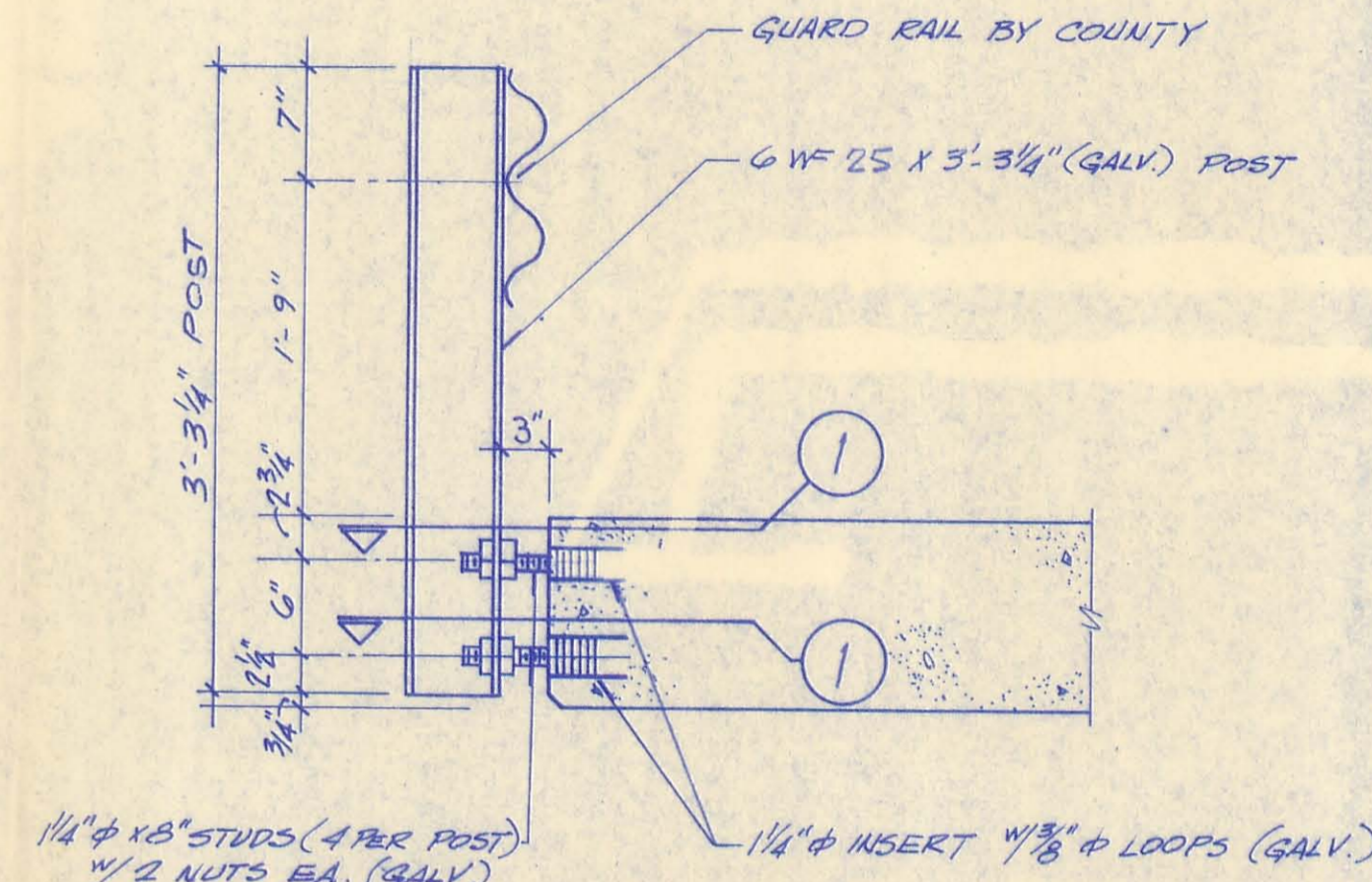


LIFTING DETAIL

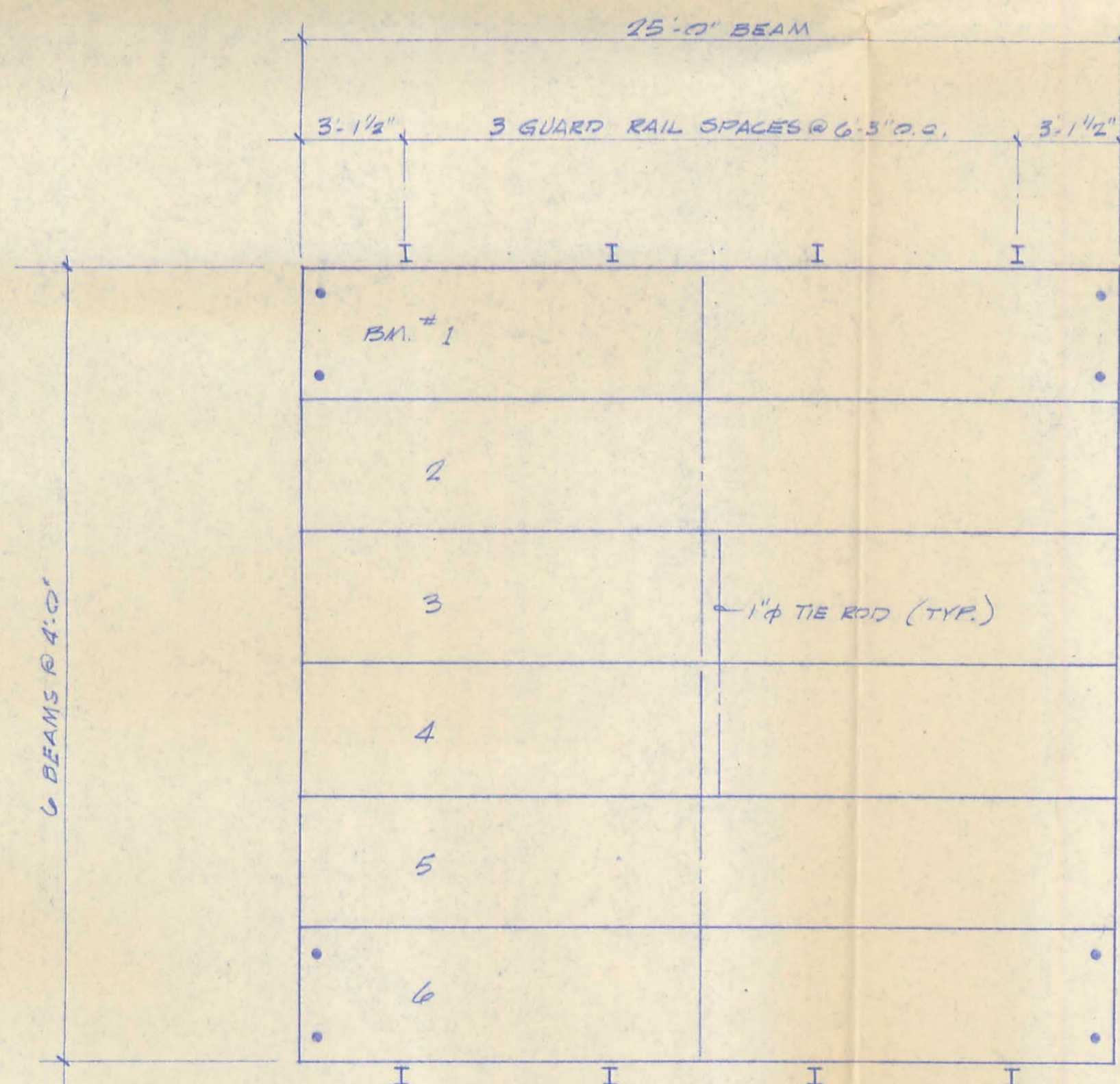


(2) - 1/4" φ x 8" STUDS WITH MACHINE THREADS FULL LENGTH
 & (2) HEX NUTS PER STUD (GALV.)

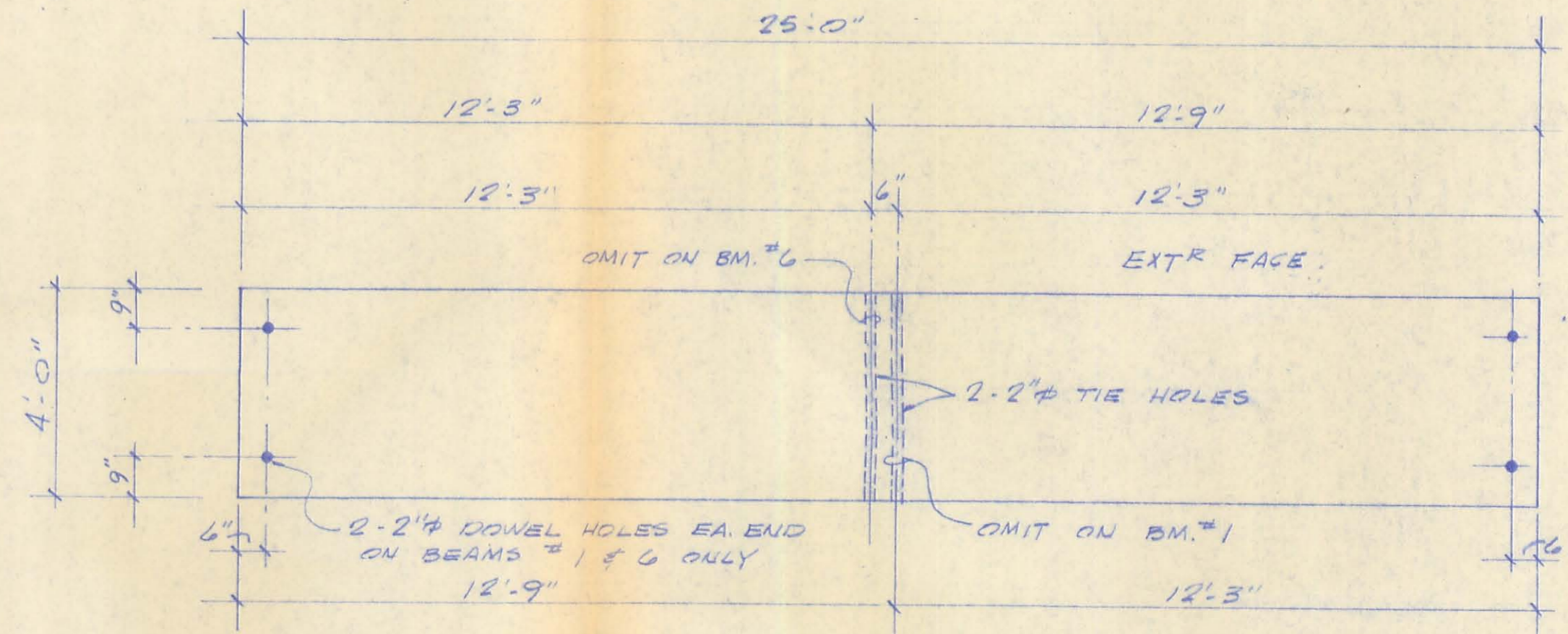
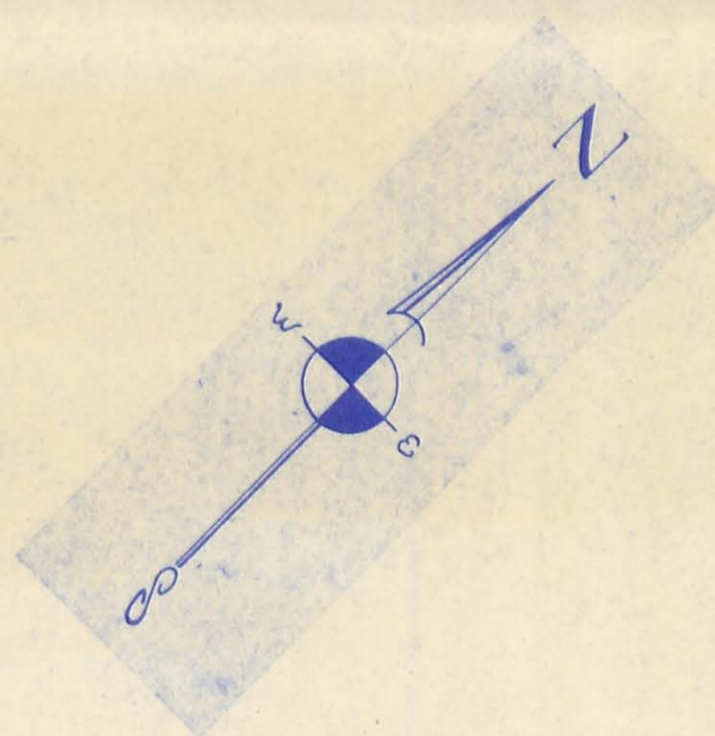
DETAIL 1



POST & ANCHOR DETAIL



BRIDGE PLAN



BEAM PLAN BM'S 1, 2, 3, 4, 5 & 6

- NOTES:
1. CONC. STR. AT TIME OF PRECASTING = 4000 PSI. @ 28 DAYS = 5500 PSI.
 2. DETENSION STRAND SYMMETRICALLY ABOUT CENTER LINE
 3. WATERPROOF BEAM ENDS
 4. OMIT KEYWAY ON EXTR. FACE OF EXTR. BEAMS
 5. LOADING = HS-20-44
 6. BEAM WEIGHT = 15,500 #

- CHANGE NOTES:
1. 3 1/4" KEYWAY TO 4 1/4" KEYWAY.
 2. 3" φ TIE ROD HOLE TO 2" φ TIE ROD HOLE

Approved: *Charles R. Kurz, P.E. 5/11/74*

REVISIONS		LOGAN COUNTY, OHIO BRIDGE # 101-3.50	
NO.	DATE	BY	
			SCALE NOT TO SCALE
			DATE 5-13-74
			DRAWN BY MDS
			CHECKED BY RE
			JOB NO. 0404
			DRAWING NO. 2 OF 3