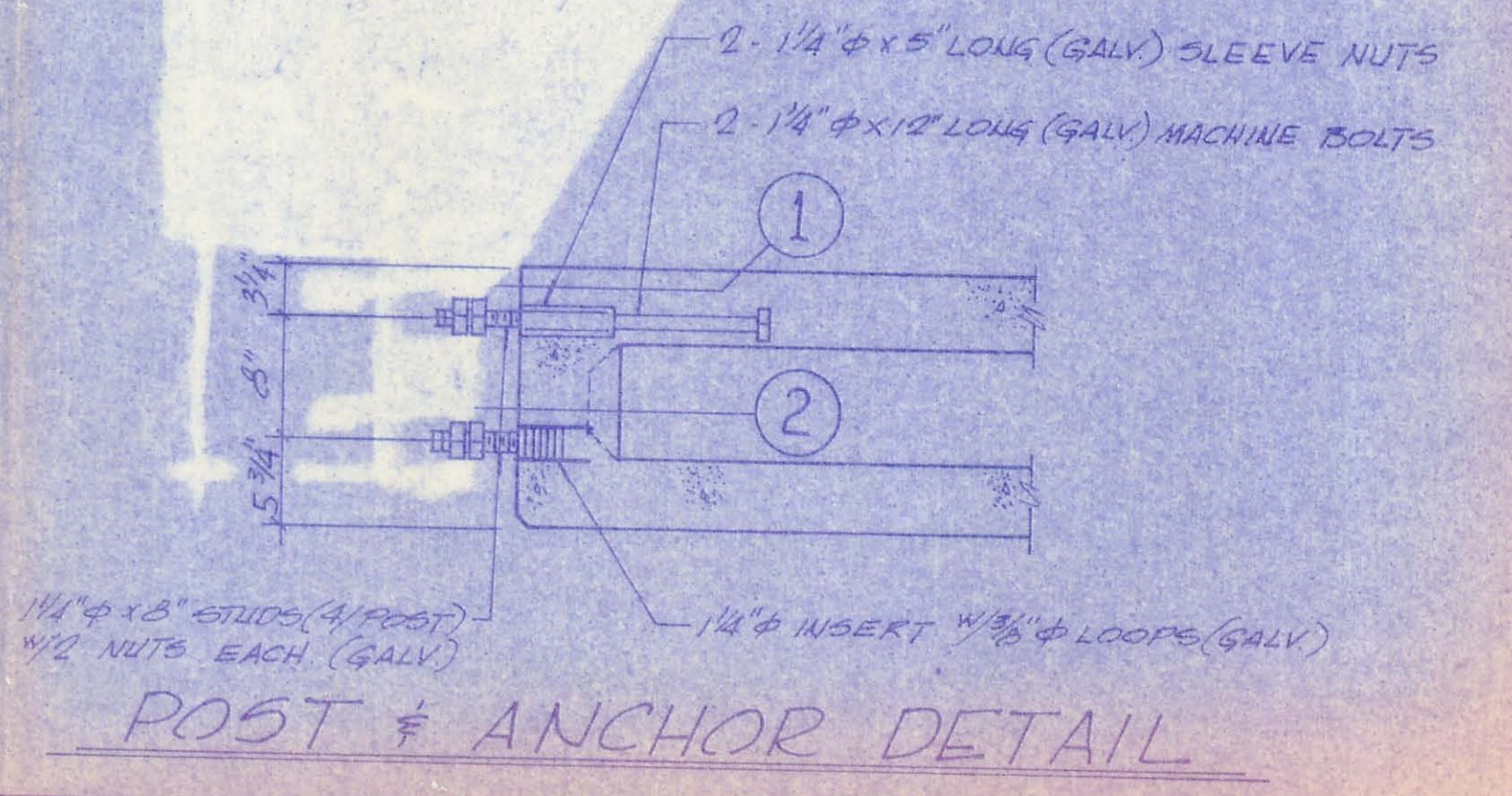
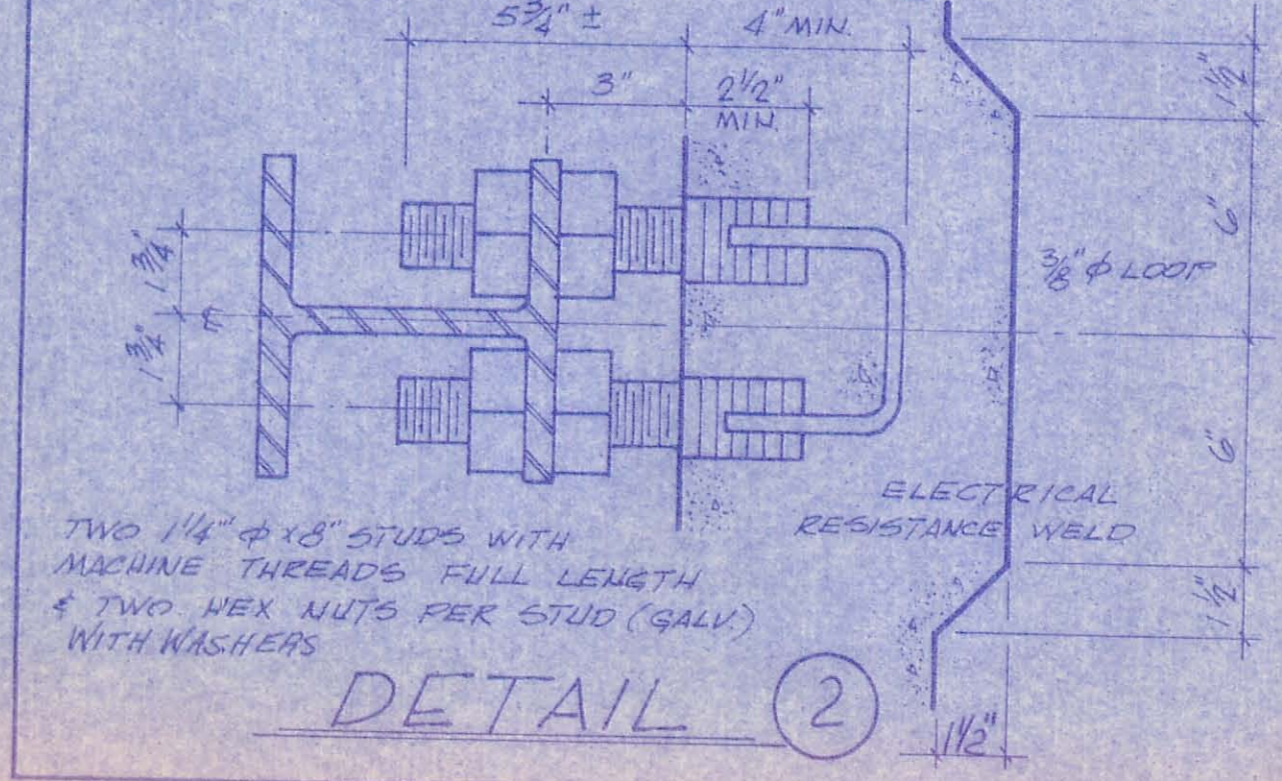
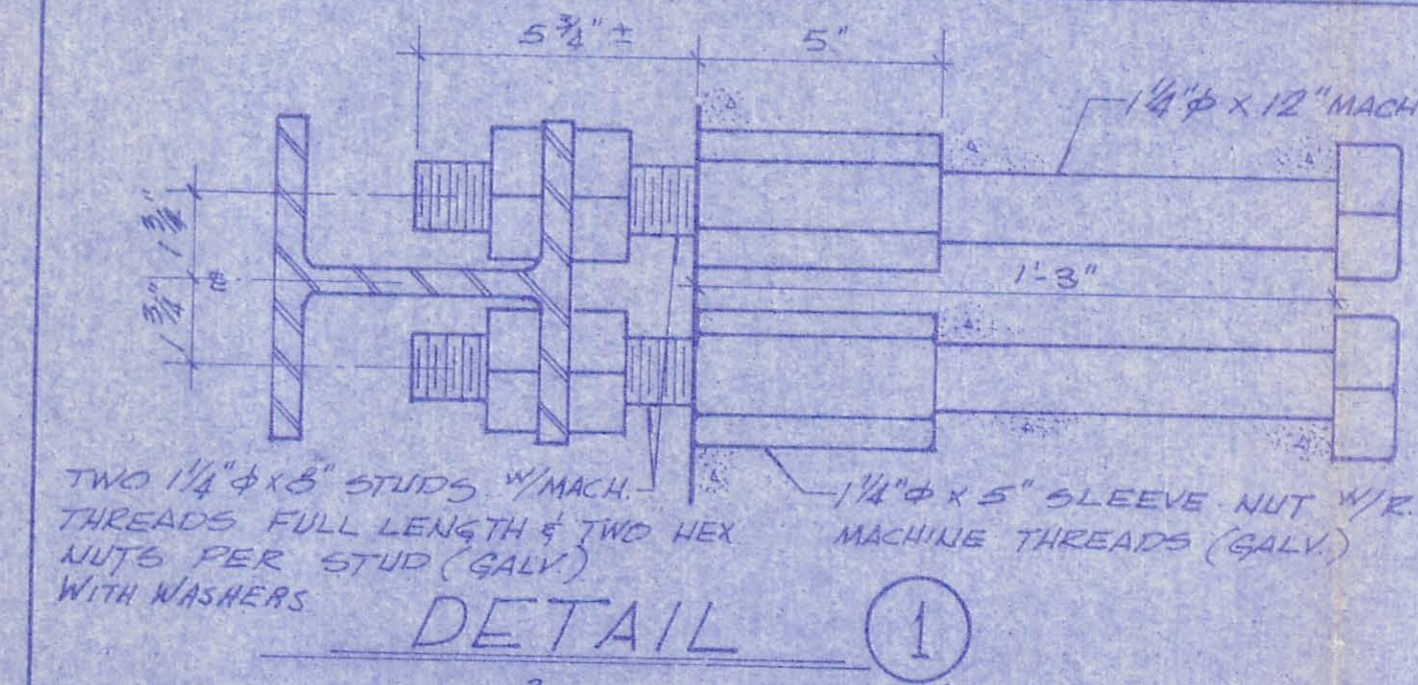
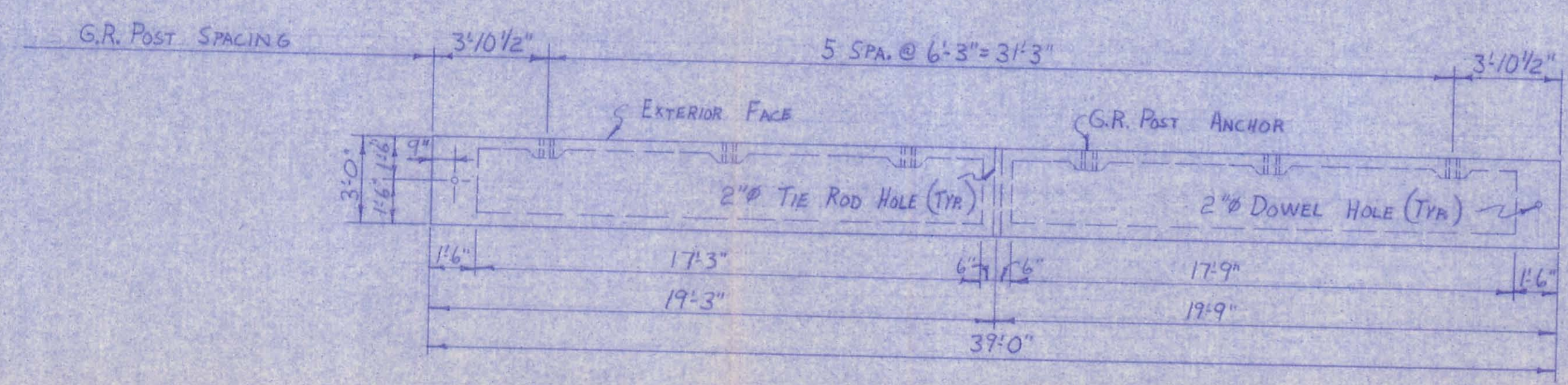


14-#270 STRANDS
 □ BREAK BOND ON 2 @ 1'-6" EACH END
 X BREAK BOND ON 2 @ 2'-6" EACH END
 O BREAK BOND ON 2 @ 4'-0" EACH END

TYP. CROSS SECTION

BEAMS 1&8 ONLY

INITIAL CAMBER = 0.84" PER BEAM DESIGN NOTES ON PAGE 3/11 OF PLANS.
 TOTAL CAMBER = 1.34" PER TOTAL CAMBER NOTE ON PAGE 10/11 OF PLANS.

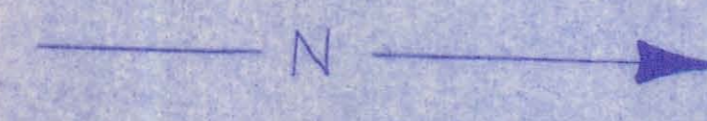


□ (39'-0")	1	(18,056 lbs.)	□
□ 1'x6'x6" EXP. JZ. PADS (8 REQ'D) (39'-0")	2	(18,333 lbs.)	□
□ 1" OR 1 1/4" GALV. TIE ROD (1 REQ'D)	3		
□ 1" OR 1 1/2" GALV. TIE ROD (2 REQ'D)	4		
	5		
	6		
□ #6x29" DOWEL PIN (8 REQ'D)	7		□
□ 1" OR 7'-0" GALV. TIE ROD (1 REQ'D)	8		□

ABUTMENT #1

ABUTMENT #2

BRIDGE PLAN



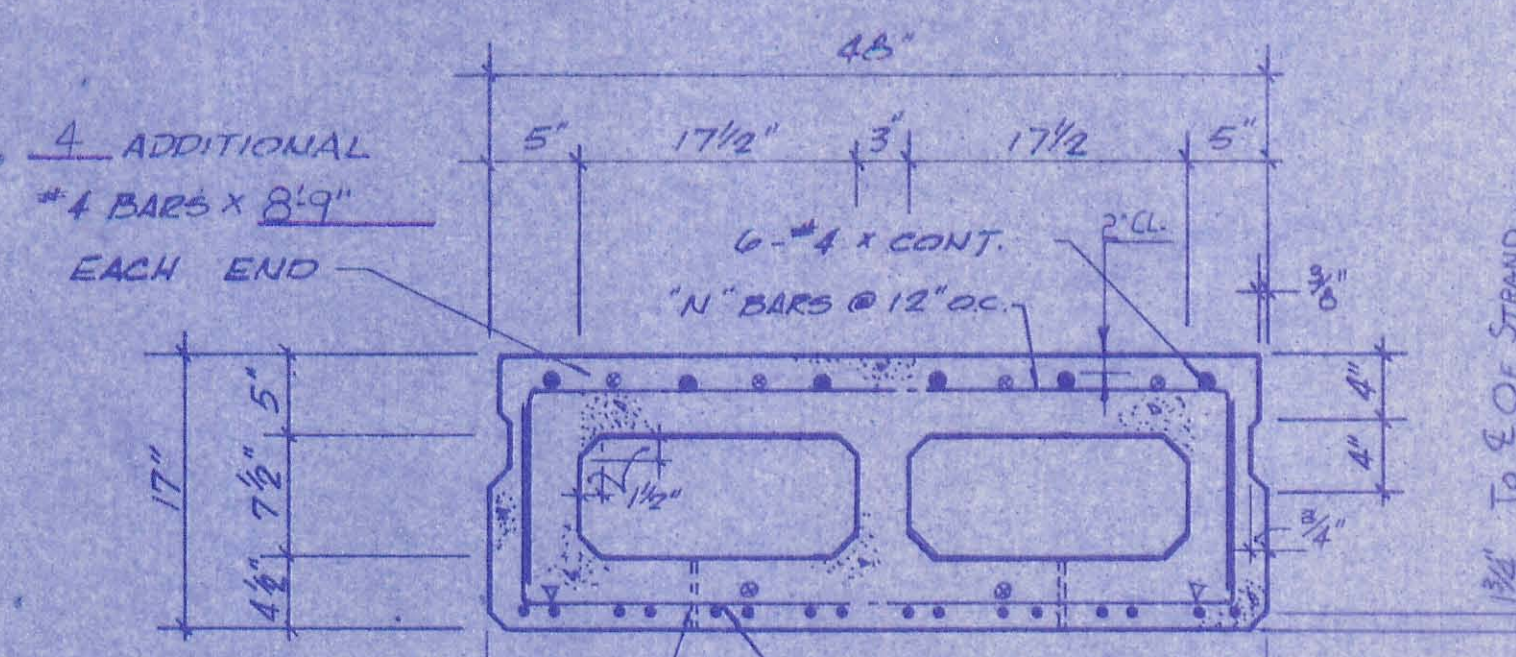
BUREAU OF BRIDGES
 Robert B. Pfeiffer, Engineer of Bridges
 APPROVED AS NOTED 3-12-81 RLC
 NOT APPROVED
 for general conformance with design plans and specifications only. Does not relieve contractor from responsibility for errors or omissions.

- NOTES:
1. CONC. STR. AT TIME OF PRESTRESSING = 4000 P.S.I. @ 28 DAYS = 2500 P.S.I.
 2. DETENSION STRAND SYMMETRICALLY ABOUT CENTER LINE
 3. WATERPROOF BEAM ENDS.
 4. OMIT KEYWAY ON EXTR FACE OF EXTR BEAMS
 5. LOADING = HS-20-44
 6. BEAM WEIGHT = 18,056 lbs., Vol = 4 1/2 Cu Yds.
 7. TOP SURFACE OF BEAMS GIVEN A BURLAP DRAG FINISH SUITABLE FOR WATERPROOFING.
- CHANGE NOTES:
1. 3/4" KEYWAY TO 1/4" KEYWAY.
 2. TIE ROD HAND HOLE FROM 9" TO 10".
 3. 3" TIE ROD HOLE TO 2" TIE ROD HOLE.

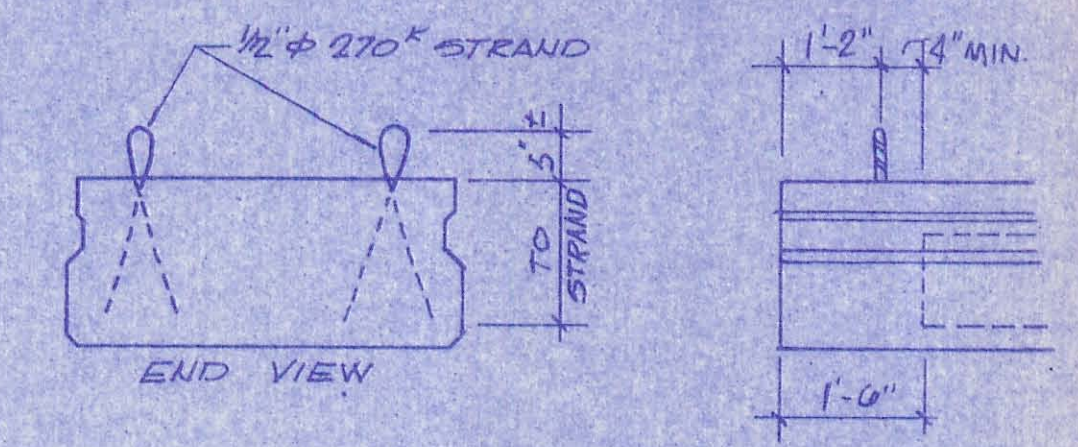
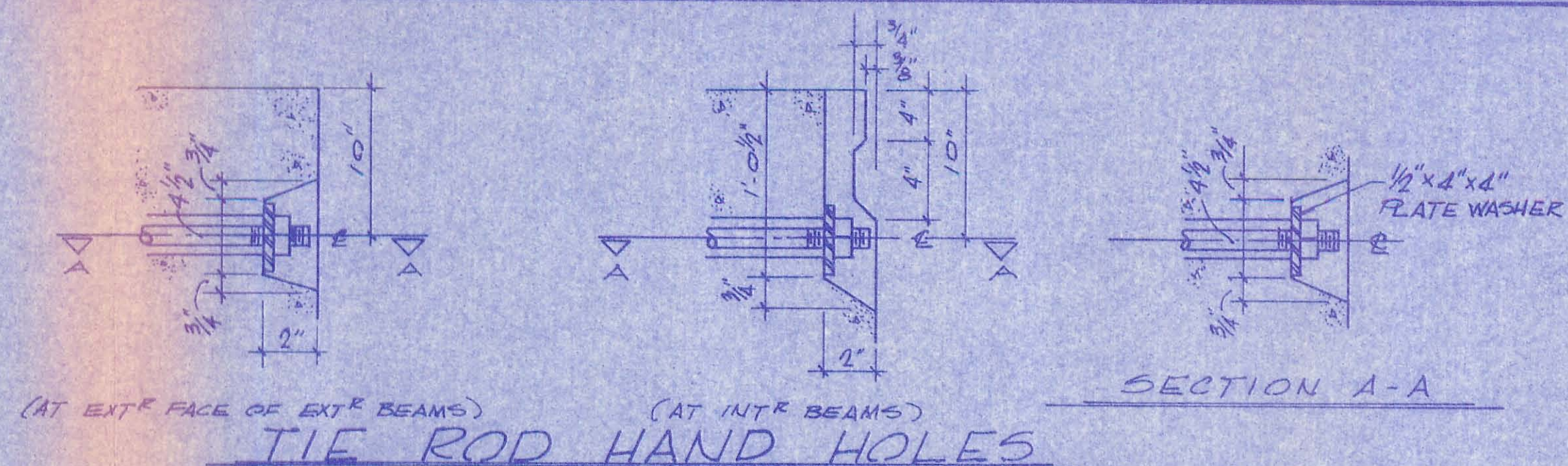
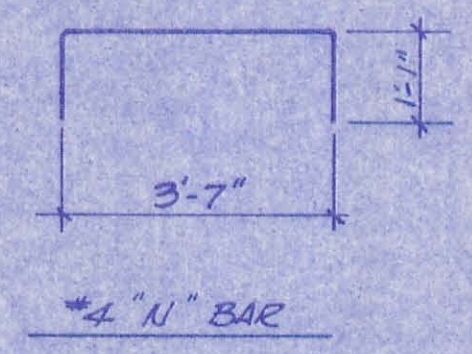
O.D.T. Proj. No. 15 (81)

REVISIONS		Br. No. LOG-1-560 Logan Co., Ohio	
		Contractor - Reese Maint. Co.	
NO.	DATE BY	SCALE	
		NONE	
		DATE	
		2-17-81	
		DRAWN BY	
		B.A.	JOB NO.
		CHECKED BY	J.R.H.
			INDIANA
			DRAWING NO.
			4384
			SH 1 OF 2

PC 3'-0" 9194
 4'-0" 9204



TYP. STEEL LAYOUT



LIFTING DETAIL

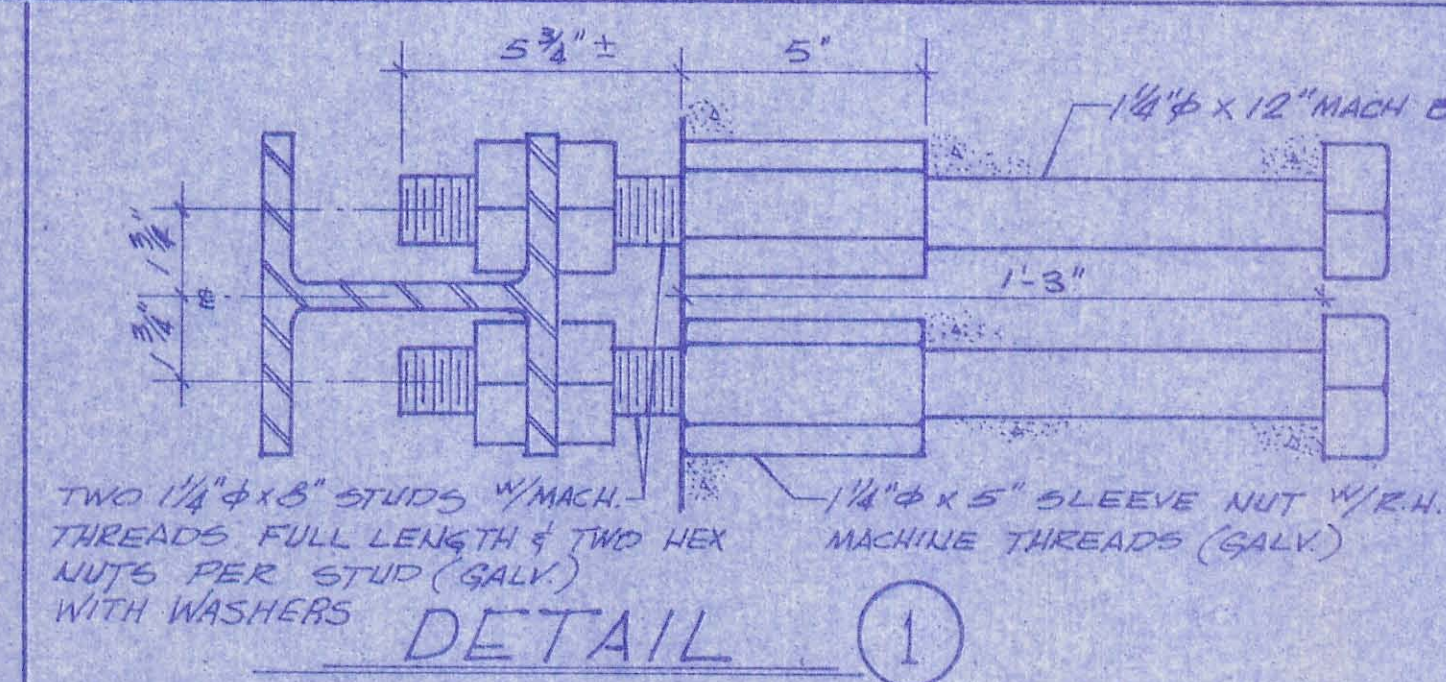
NON-FERROUS DRAIN HOLES @ EA. END OF VOID
 "N" BARS @ 24" OC 4 @ 6" AT EACH END OF BEAM
 2" x 4" x 2 1/4" x 2 1/4" x 2 1/4" x 2 1/4" x 2 1/4" x 2 1/4" x 2 1/4" x 2 1/4" x 2 1/4"

16-1/2" x 270' STRANDS
 @ BREAK BOND ON 2 STRANDS FOR 1'-6" FROM EACH END.
 @ BREAK BOND ON 2 STRANDS FOR 2'-6" FROM EACH END.

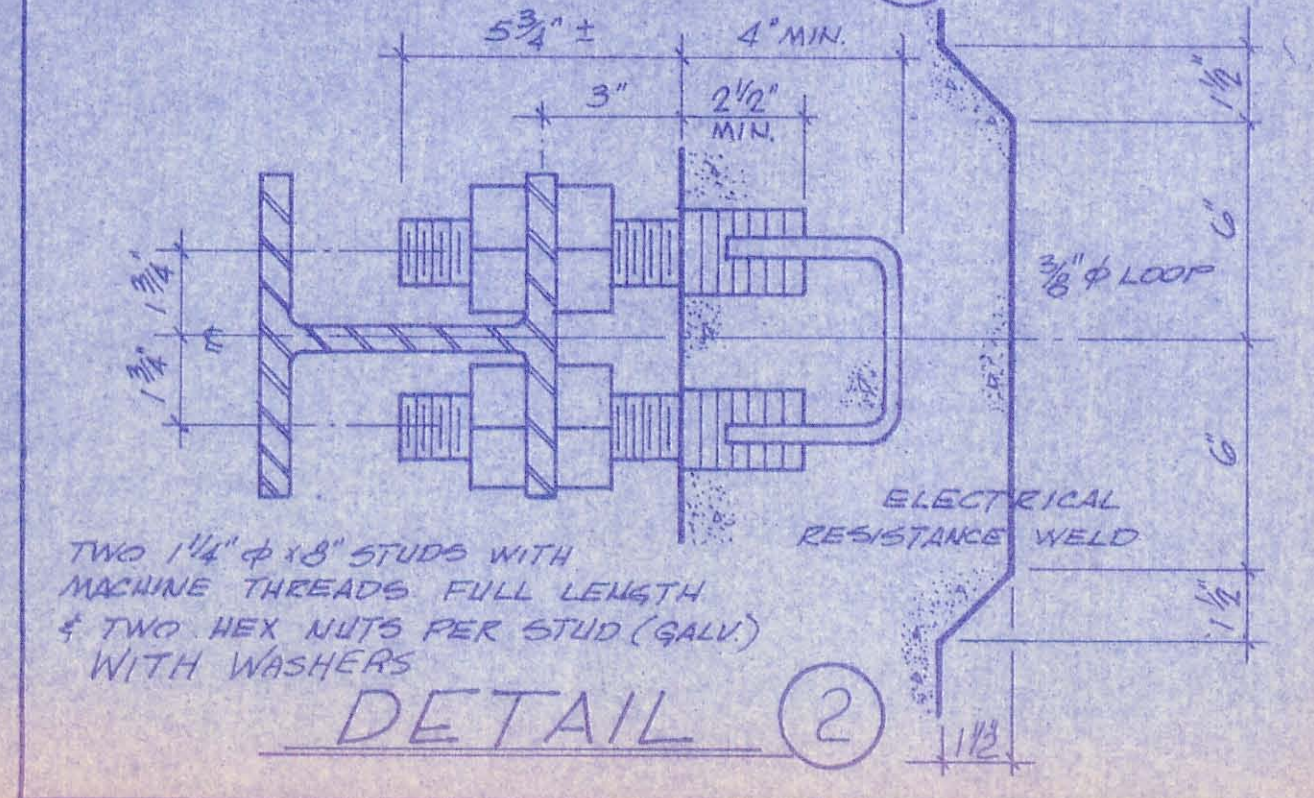
TYP. CROSS SECTION

BEAMS 2 THRU 7

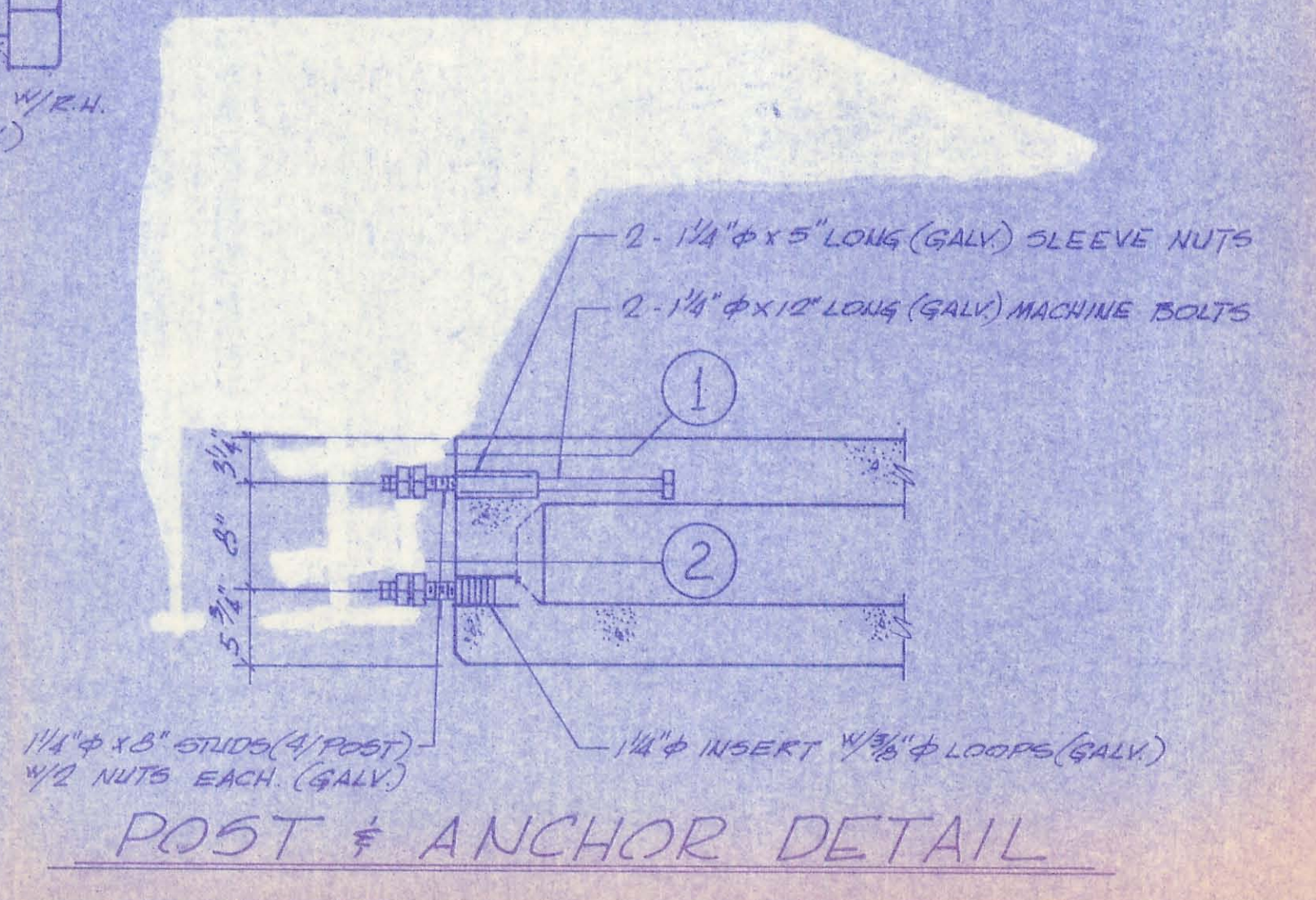
INITIAL CAMBER = 0.69" PER BEAM DESIGN NOTES ON PAGE 3/11 OF PLANS.
 TOTAL CAMBER = 1 3/4" PER TOTAL CAMBER NOTE ON PAGE 10/11 OF PLANS.



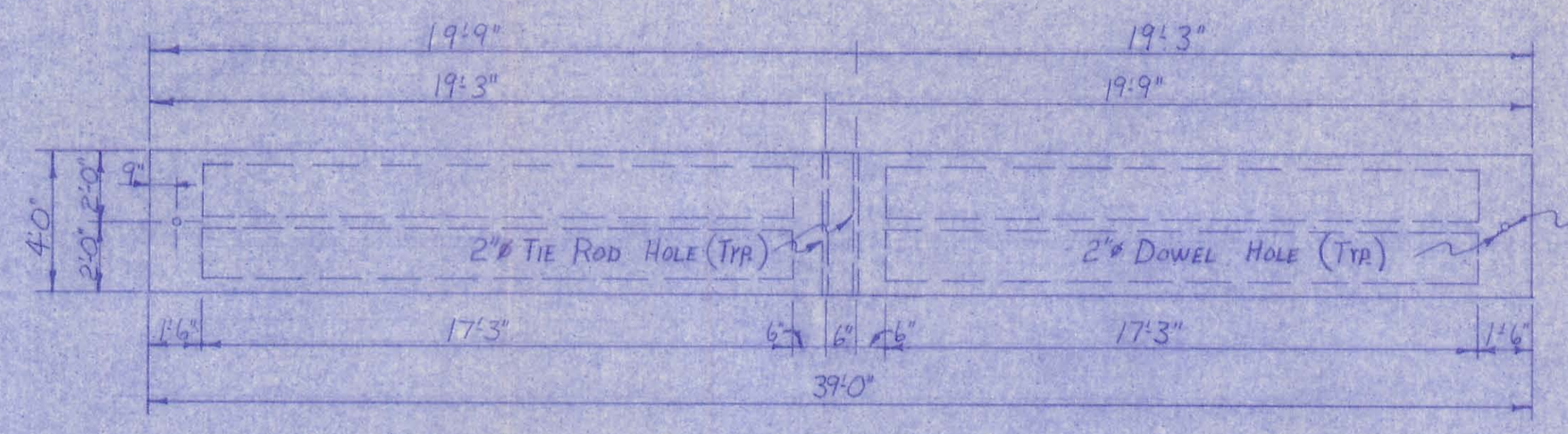
DETAIL 1



DETAIL 2



POST & ANCHOR DETAIL



BEAM PLAN ~ No. 2, 3, 4, 5, 6 & 7

2" DOWEL HOLE NOT READ ON BEAMS 3, 4, 5 & 6.

BUREAU OF BRIDGES
 Reese & Pfeiffer Engineer of Bridges
 APPROVED AS NOTED
 NOT APPROVED
 for general conformance with design plans and specifications only. Does not relieve contractor from responsibility for errors or omissions.
 3-12-81 P.R.C.

- NOTES:
1. CONC. STR. AT TIME OF PRESTRESSING = 4000 P.S.I. @ 28 DAYS = 5500 P.S.I.
 2. DETENSION STRAND SYMMETRICALLY ABOUT CENTER LINE
 3. WATERPROOF BEAM ENDS
 4. OMIT KEYWAY ON EXT. FACE OF EXT. BEAMS
 5. LOADING = H.S. 20-44
 6. BEAM WEIGHT = 23,955 Lbs., Vol. = 6 Cu Yds.
 7. TOP SURFACE OF BEAMS GIVEN A BURLAP DRAG FINISH SUITABLE FOR WATERPROOFING.

- CHANGE NOTES:
1. 3/4" KEYWAY TO 1/4" KEYWAY
 2. TIE ROD HAND HOLE FROM 9" TO 10"
 3. 3" x 3" TIE ROD HOLE TO 2" x 3" TIE ROD HOLE

O.D.O.T. Proj. No. 15(81)

REVISIONS		Br. No. LOG-1-5.60 Logan Co., Ohio	
NO.	DATE BY	Contractor - Reese Maint. Co.	
		SCALE	PRESTRESS SERVICES, INC.
		DATE	Decatur Indiana
		DRAWN BY	JOB NO.
		CHECKED BY	DRAWING NO.
			4384 SH 2 OF 2

RECEIVED

MAR 19 1981

**LOGAN COUNTY
ENGINEER**

LOGAN

7

March 12, 1981

Jack R. Siler

J. D. Jones, Structural
Steel Engineer

Delbert L. Leistner, District Deputy Director

Robert B. Pfeifer, Engineer of Bridges

Project No. 15(81) Bridge No. LOG-1-5.60

We are forwarding two (2) prints each of Prestress Services' approved shop drawings, 1 & 2 covering details of prestress concrete box beams.

One set of prints is intended for your file and one set is for the Project Engineer.

RBP:JDJ:PKI:jh18

cc: Bureau of Construction
Reese Maintenance Corp.
Logan Co. Engineer's Office (1 set)
Testing Lab (Atten: J. T. Paxton)(2 sets)
Prestress Services, Inc. (1 set)
File